

**Proofs for Faculty publications in conferences (Faculty-wise and Year
Wise)**

Index

Sl. No.	Name of the teacher	Title of the paper	Name of the conference	Year of publication	ISBN/ISSN of the proceeding	Relevant link	Page no
1	Dr. B. S.Daga	Silhouette based human fall detection using multimodal classifiers for content based video retrieval systems	International Conference on Intelligent Computing, Instrumentation and Control Technologies	2017-18	ISBN-978-1-5090-6106-8,	10.1109/ICICT1.2017.8342776	1
2	Dr. Sunil Surve	Resource Centric Characterization and Classification of Applications Using KMeans for Multicores	IEEE International Conference on Information and Technology	2018-19	-	10.1109/ICOIN.2019.8717981	2
3	Dr.Sunil Surve	Modelling Resource constrained solo applications using logictic growth	International conference on Advances in computing, communication and control	2017-18	ISBN:978-1-5386-3852-1	10.1109/ICAC3.2017.8318751	3

		model					
4	Dr. Surve Sunil K	Error Propagation in Linear and Non-Linear Systems for False Data Injection Attack	International Conference on Advances in Computing, Communication and Informatics (IEEE).	2015-16	ISBN: 978-1-4799-8790-0	10.1109/ICACCI.2015.7275686	4
5	Dr. Surve Sunil K	False Data Injection Attacks and Detection Scenarios in the Power System	IEEE India Conference (INDICON)	2015-16	ISBN:978-1-4673-7399-9	10.1109/INDICON.2015.7443817	5
6	Dr.Sunil Surve	Localization and tracking of indoor mobile robot with beacons and dead reckoning sensors	IEEE Students' Conference on Electrical, Electronics and Computer Science (SCEECS)	2014-15	ISBN:978-1-4799-2526-1	10.1109/SCEECS.2014.6804452	6
7	Dr.Sunil Surve	Measurement Sets in Power System State Estimator in Presence of	2015 IEEE International Advance Computing Conference (IACC)	2014-15	ISBN:978-1-4799-8047-5	DOI:10.1016/S1877-0509(15)00789-9	7

		False Data Injection Attack					
8	Dr.Sunil Surve	Pancreatic Tumour Detection Using Image Processing	International Conference of Computing , communication and Control(ICAC3)	2014-15	ISBN:9781510807839	https://doi.org/10.1016/j.procs.2015.04.221	8
9	Mrs. Swati Ringe	HTML5 Based Virtual Whiteboard for Real Time Interaction	International Conference of Computing , communication and Control(ICAC3)	2014-15	Procedia Computer Science 49, 170-177	https://www.sciencedirect.com/science/article/pii/S1877050915007504	11
10	Prof. Mahendra Mehra	AN IOT BASED SMART CUBICLE SYSTEM FOR EFFECTIVE POWER USAGE AND EMPLOYEE MONITORING IN OFFICES	IEEE: International conference on smart city and emerging technologies , 5 Jan. 2018	2017-18	ISBN: 978-1-5386-1185-2	10.1109/ICSCET.2018.8537319	12
11	Nilesh Patil	Content Based Audio Classification	3rd International Conference on Computer,	2018-19	2194-5357	https://link.springer.com/chapter/10.1007/978-981-13-6861-5_23	13

		n and Retrieval using Segmentation, Feature Extraction and Neural Network Approach	Communication and Computational Sciences (IC4S 2018)				
1 2	Janisa Colaco	A novel hybrid technique for user navigation pattern prediction using KHM and FP growth	IEEE International Conference on Circuits and Systems in Digital Enterprise Technology	2018-19	978-5386-0576-9/18		16
1 3	Prachi Patil	Financial Planner and Asset Allocation using Machine Learning	Recent Advances and Challenges in Engineering and Management	2018-19	-		17
1 4	Dr.Khus hbu Trehan	Teachers engineering Emotions in the classroom	Global Teachers Meet 2018	2018-19			19
1 5	Dr.Khus hbu Trehan	Exploring science in black	Business and Entrepreneurial Practices	2014-15	-		21

		fiction: A study of Octavia Butlers parable series	for Global Prosperity and Happiness				
16	Dr. Josep Rodrigues	Classroom administration of freshers faculties in engineering college	Administrative and Academic Audit	2015-16			22
17	Dr. Josep Rodrigues	Identity crises in Jhumpa Laharis Unaccostomed Earth	Redifining identities, cultures and Literatures	2015-16			27
18	Dr. Josep Rodrigues	The intergenerational aspect, revision and retention of cultural elements in the novel ' The Namesake', Sept: 2015, Page:328-329	-	2015-16	ISBN 9789381723463		31

19	Dr. D. V. Bhoir	Design and simulation of high snr varying thickness embedded strain sensing polymer micro-cantilever for bio-sensing applications	International Design Engineering Technical Conferences & Computers and Information in Engineering Conference IDETC/CIE 2018	2018-19	-	doi:10.1115/DETC2018-85731	39
20	Dr. D. V. Bhoir	Single Precision Floating Point Division	Fifth IRF international Conference, August 2014,	2014-15	978-93-84209-45-2	https://pdfs.semanticscholar.org/c94e/444ae227bcb3903991748ff1e4ffc9cb2222.pdf	41
21	Dr. Sapna Prabhu	An ANN-based detection of obstructive sleep apnea from simultaneous ECG and SpO2 recordings	International Conference on ISMAC in Computational Vision and Bio-Engineering ISMAC - CVB 2018	2017-18	-	10.1007/978-3-030-00665-5_60	46
22	Dr. Sapna Prabhu	Frequency estimator to improve short range	2015 International Conference on Advances	2015-16	-	10.1109/ICACCI.2015.7275682	47

		accuracy in FMCW Radar	in Computing, Communications and Informatics (ICACCI)				
23	Dr. Sapna Prabhu	Improving the scalability of shared cache multi-core systems	India Conference (INDICON),2014	2014-15	978-1-4799-5362	DOI:10.1109/IADCC.2015.7154827	48
24	Dr. Sapna Prabhu	Workload Characterization for Shared Resource Management in Multi-core systems	International Conference in Computing, Communications and Informatics ,ICACCI 2014	2014-15	978-1-4799-3078-4	10.1109/ICACCI.2014.6968243	49
25	Dr. Srija Unnikrishnan	Power consumption and delay in wireless sensor network using N policy M/M/1 Queuing model	Multiconw2019	2018-19	978-93-5316-754-7	-	88
26	Dr. Srija Unnikrishnan	Compressive Sensing in	TENCON 2018 IEEE Region	2018-19	-	10.1109/TENCON.2018.8650423	50

	hnan	Channel Estimation for SISO and MIMO OFDM Systems	10 (Asia-Pacific) Conference				
27	Dr. Srija Unnikrishnan	Decoding of Error Correcting Codes: Various approaches	International Conference ICECEIC 2019	2018-19	-	Proof in Additional Info	51
28	Dr. Srija Unnikrishnan	A Robust Hybrid Interference Canceller for Multiuser, Multipath CDMA System	International Conference ICECEIC 2019	2018-19	-	Proof in Additional Info	51
29	Dr. Srija Unnikrishnan	Reduced power consumption in wireless sensor networks using queue based approach	2017 International Conference on Advances in Computing, Communication and Control (ICAC3)	2017-18	-	10.1109/ICAC3.2017.8318794	52
30	Dr. Srija Unnikrishnan	Vehicle to Vehicle	International Conference	2014-15	-	https://doi.org/10.1016/j.procs.2015.04.249	53

	hnan	Communication using DS-CDMA Radar	on Advances in Computing, Communications and Control				
31	Dr.Srija Unnikrishnan	A modified block code using controllability of linear system	2017 International Conference on Advances in Computing, Communication and Control (ICAC3)	2017-18	-	10.1109/ICAC3.2017.8318774	54
32	Dr.Srija Unnikrishnan	Model for vertical handover decision in vehicular networks	2017 International Conference on Advances in Computing, Communication and Control (ICAC3)	2017-18	-	10.1109/ICAC3.2017.8318791	55
33	Dr.Srija Unnikrishnan	Modeling and simulation of MIMO-OFDM systems with classical and Bayesian channel estimation	2017 International Conference on Advances in Computing, Communication and Control (ICAC3)	2017-18	-	10.1109/ICAC3.2017.8318789	56
34	Prof. Binsy	Simulation of	International Conference	2017-18	-	10.1109/ICAC3.2017.8318790	57

	Joseph	synchronou s reference frame PLL for Grid Synchroniza tion using Simulink	on Advances in Computing, Communicatai on and Control				
3 5	Prof. Jayen Modi	Understand ing Semiconduc tor Constructio n & Fabrication with 3-D Modeling	International conference on Recent advances &challenges in engineering and management (RACEM - 2019)	2018-19	-	Proof in Additional Info	58
3 6	Prof. Jayen Modi	Teaching small signal Amplifiers using Bloom's Taxonomy	OBE symposium	2018-19	-	Proof in Additional Info	60
3 7	Prof. Jayen Modi	Poster Presentatio n for participativ e learning experience	OBE symposium	2018-19	-	Proof in Additional Info	62
3 8	Prof. Monica Khanore	A Robust Hybrid Interferenc e Cancellor for	International Conference ICECEIC 2019	2018-19	-	Proof in Additional Info	64

		Multiuser, Multipath CDMA System					
39	Prof. Kranti Wagle	RF Signal Generation for MRI System Using PS-PL Communication in FPGA Over Ethernet	2018 Fourth International Conference on Computing Communication Control and Automation (ICCUBEA)	2018-19	-	10.1109/ICCUBEA.2018.8697393	65
40	Prof. Kranti Wagle	FPGA based RF Signal Generation for MRI Systems	Second International Conference on Computing Methodologies and Communication (ICCMC 2018)	2017-18	978-1-5386-3452-3	Proof in Additional Info	66
41	Prof. Kranti Wagle	Localization and tracking of indoor mobile robot with beacons and dead reckoning sensors	IEEE Students' Conference on Electrical, Electronics and Computer Science (SCEECS)	2014-15	ISBN:978-1-4799-2526-1	10.1109/SCEECS.2014.6804452	72
42	Prof. Shilpa Patil	Double Precision	Fifth IRF international	2014-15		-	76

		floating point square root computation	Conference, August 2014,				
43	Prof. Shilpa Patil	Single Precision Floating Point Division	Fifth IRF international Conference, August 2014,	2014-15	978-93-84209-45-2	https://pdfs.semanticscholar.org/c94e/444ae227bcb3903991748ff1e4ffc9cb2222.pdf	41
44	Prof. Vaibhav Godbole	Interactive teaching learning methodology using moodle	OBE symposium	2018-19	-	Proof in Additional Info	83
45	Prof. Vaibhav Godbole	Poster Presentation for participative learning experience	OBE symposium	2018-19	-		87
46	Dr. Arun B. Rane	Using GRBL Arduino based controller to run a 2 axis CNC machine	Int. conf. on Smart City & Emerging technologies (ICSCET)	2017-18	-	Proof in Additional Info	94
47	Dr. Arun B. Rane	Improving the performance of assembly	International conference on Nascent Technologies in the	2014-15	-	10.1109/ICNTE.2015.7029913	96

		line: Review with case study	Engineering Field				
48	Dr. Bhushan T. Patil	Optimization of Tube Hydroforming Process (without Axial feed) by using FEA Simulations	3rd International Conference on Innovations in Automation and Mechatronics Engineering	2015-16	-	https://doi.org/10.1016/j.protcy.2016.03.043	98
49	Dr. Bhushan Patil	A Perspective of Integrated Machine Vision Based Multivariate Statistical Process Control	International Conference on Intelligent Manufacturing and Automation	2018-19	-	10.1007/978-981-13-2490-1_42	106
50	Dr. Bhushan Patil	Evaluation of Surface Roughness by Machine Vision using Neural Networks Approach	International Conference on Recent Advances in Mechanical Infrastructure (ICRAM-2019)	2018-19	-	-	116
51	Prof. D. S. S. Sudhaka	Development of JOLIS GC3000 Gas	World Congress on Engineering	2015-16	978-988-19253-6-7	10.1109/ICACCI.2015.7275682	118

	r	Cutter Joint Ordinate Linear Interpolatio n System CNC Machine	and Computer Science				
5 2	Prof. D. S. S. Sudhaka r	Computer Aided Design and Analysis of Volatile separating device	International conference on Advances in Computer, Communicatio n, and Control 2003-04, ICAC3'15.	2014-15	1877-0509	https://doi.org/10.1016/j.procs.2015.04.264	123
5 3	Prof. D. S. S. Sudhaka r	Improving the performanc e of assembly line: Review with case study	International conference on Nascent Technologies in the Engineering Field	2014-15	-	10.1109/ICNTE.2015.7029913	138
5 4	Prof. D. S. S. Sudhaka r	Analysis of burner for biogas by computatio nal fluid dynamics and optimizatio n of design by GA	International conference on Advances in Computer, Communicatio n, and Control 2003-04, ICAC4'15.	2014-15	1877-0509	https://www.researchgate.net/publication/280488863	
5	Prof.	Finite	International	2018-19	-	Proof in Additional Info	140

5	Deepika Singh	Element Analysis of Conformal Cooling for Reduction in Cycle Time to Enhance Performance in Plastic Injection Molding Process	Conference on Recent Advances in Mechanical Infrastructure				
5 6	Prof. Dipali Bhise	Analysis of S-4180 using Computational Fluid Dynamics	<u>2017 International Conference on Advances in Computing, Communication and Control (ICAC3)</u>	International	2017-18	Proof in Additional Info	144
5 7	Prof. Ketaki Joshi	Evaluation of Surface Roughness by Machine Vision using Neural Networks Approach	International Conference on Recent Advances in Mechanical Infrastructure (ICRAM-2019)	2018-19	-	Proof in Additional Info	146
5 8	Prof. Ketaki Joshi	A Perspective of Integrated	International Conference on Intelligent Manufacturing	2018-19	-	<u>10.1007/978-981-13-2490-1_42</u>	149

		Machine Vision Based Multivariate Statistical Process Control	g and Automation				
59	Prof. Ketaki Joshi	Optimization of Tube Hydroforming Process (without Axial feed) by using FEA Simulations	3rd International Conference on Innovations in Automation and Mechatronics Engineering	2015-16	-	https://doi.org/10.1016/j.protcy.2016.03.043	158
60	Prof. Prasad Kawade	Computer Aided Design and Analysis of Volatile separating device	International conference on Advances in Computer, Communication, and Control 2003-04, ICAC3'15.	2014-15	1877-0509	https://doi.org/10.1016/j.procs.2015.04.264	166
61	Dr. Vijay S. Bilolikar	Simulation based analysis of job shop manufacturing planning	Annual conference of production and operations management society (POMS)	2014-15	0-692-40828-2	https://www.pomsmeetings.org/confpapers/060/060-0523.pdf	181
62	Dr. Vijay S.	An Adaptive	Annual conference of	2014-15	0-692-40828-2	10.1504/IJOR.2016.073250	181

	Bilollikar	Crossover Genetic Algorithm for Multi-mode RCPSP with Discounted Cash Flows	production and operations management society (POMS)				
--	------------	-----------------------------------------------------------------------------	-----------------------------------------------------	--	--	--	--

Silhouette Based Human Fall Detection Using Multimodal Classifiers For Content Based Video Retrieval Systems

B. S. Daga

Associate Professor
Dept. of Computer Engineering,
Fr .Conceicao Rodrigues College
Of Engineering, Mumbai, India,
bsdaga77@gmail.com

A. A. Ghatol

Former VC,
Dr. Babasaheb Ambedkar
Technological University,
Lonere, India,
ashok.ghatol@gmail.com

V.M.Thakare

Professor and Head
Faculty of Engg. & Technology,
PG Dept. of Computer Science,
SGB Amravati University, India,
vilthakare@yahoo.com

Abstract—Automatic human fall detections are proving the need of time in emergency situations for elderly persons falling on the floor injuring them, sometimes with bone fracture or more severely at times being alone while performing their daily activities. Recent advancement in image processing and therein activity identification is seeing rising trend of research. Present paper aims at putting forward a fall detection system which uses human silhouettes, as processed from depth cue based on camera footages, to extract curvature scale space (CSS) features. Human actions thus finally rendered into CSS are classified with the help of standard machine learning classifier techniques such as support vector machine (SVM) and extreme learning machine (ELM). Moreover, the paper distinctively puts forward the benefit of augmented ELM classifier with help of sparse representation for image frame classification (SRC) technique. The system had been tested with standard dataset as established in literature for human action classification. The results presented in form of confusion matrix comprising of detecting semantic activities like walking, idle sitting, standing and falling demonstrate that the developed system has an edge in terms of higher accuracy compared to similar state of the art methods as reported in literature.

Keywords—Fall Detection, Support Vector Machine, Extreme Learning Machine, semantic, Content Based Video Retrieval System

I. INTRODUCTION

Average citizen age has been seeing a continuous rising graph with growing healthcare facilities and infrastructure in most of developed and developing nations. While this has been a positive change, there is also a growth of nuclear families and lone elderly people in the society worldwide. Such scenarios where most of the elderly people living a lonely life or alone most of the time, in homes or day care centers, doing daily household routines by themselves, are often exposed to danger of accidental hurts to themselves by falling on hard tiled floors. The situation is equally subjective to infants playing without any personal supervision or medical patients and wheel chaired

persons who are unable to move without extra aid. The fall can be an accidental, due to, stroke or momentary loss of conscience. A more serious danger poses in occurrences of such causalities the subject falls and being alone in house or room cannot get an attention or raise an alarm for immediate help. Many of modern day researchers and engineers are working with primary objective of detecting the human falling actions. The engineering problem thus stated is subset of detection and classification of generic action semantics of humans. Action semantics in video can be understood from appearance, topological & spatio-temporal cues [1].

Most popular, precise and convenient state of the art semantic content based video retrieval systems(CBVR)for identifying the human activity from a video involves image processing, spatio-temporal analysis, and high level machine learning algorithms to classify and detect the actions in the video. Very recently in 2014, Ma et al. [2], presented such a system capable of detecting the falling actions of elderly persons. The system was cost effective as it promised the use of Kinect type of depth based camera which reduces the hardware cost. Furthermore the salient feature of their system included a mutual employment of two different approaches of post processing. One was the use of detecting the falling action by analyzing the human body shape. This is achieved by extracting curvature scale space (CSS) as feature from the human silhouettes. Human silhouettes are extracted from the camera feed. Secondly, their system made use of advanced machine learning classifier program, such as extreme learning machine (ELM). The ELM classifier is learning based computational classification algorithm which needs to be trained. The process of the system was simple to understand. As the CSS features are extracted from silhouettes, they are assigned with a bag of CSS words. The ELM is trained to classify the human action thus captured on the basis of CSS words identifying the bag of CSS words (BoCSS).

Present paper tries to demonstrate a similar system for human fall detection. Here we choose to make use of depth cue

Institutional Sign In

Browse

My Settings

Get Help

Subscribe

Advertisement

Advertisement

Conferences > 2019 International Conference...

Resource Centric Characterization and Classification of Applications Using KMeans for Multicores

Publisher: IEEE

2 Author(s)

Preeti Jain ; Sunil K Surve [View All Authors](#)

57 Full Text Views

Export to Collabratec

Alerts

- Manage Content Alerts
- Add to Citation Alerts

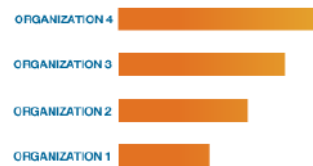
More Like This

Reinforcement learning based resource allocation in cache-enabled small cell networks with mobile users
 2017 IEEE/CIC International Conference on Communications in China (ICCC)
 Published: 2017

Deep Reinforcement Learning based Distributed Resource Allocation for V2V Broadcasting
 2018 14th International Wireless Communications & Mobile Computing Conference (IWCMC)
 Published: 2018

[View More](#)

Top Organizations with Patents on Technologies Mentioned in This Article



Advertisement

Abstract

Document Sections

- I. Introduction
- II. Motivation
- III. Related Studies
- IV. Proposed Characterization
- V. Proposed Classification

Download PDF

Abstract: The knowledge on the behavior of an application program towards consumption of shared resources in multicore systems could assist in characterizing and classifying these ... [View more](#)

Metadata

Abstract: The knowledge on the behavior of an application program towards consumption of shared resources in multicore systems could assist in characterizing and classifying these programs. Further categorizing applications assists in predicting optimal coschedules for multicores, which eventually leads to lower contention and enhance performance. The proposed work characterizes applications on the basis of variations in IPC due to various resource allocations. Further classification is done based on parameters of cache memory and Dram bandwidth utilization obtained using hardware counters. A statistical approach is used for classifying the applications. The variance values obtained for an application's behavior towards different resource allocations is considered to build training and test set and KMeans learning algorithm is applied to classify the workloads. The accuracy obtained with the proposed method is 85.71%.

Published in: 2019 International Conference on Information Networking (ICOIN)

Date of Conference: 9-11 Jan. 2019 **INSPEC Accession Number:** 18691048

Date Added to IEEE Xplore: 20 May 2019 **DOI:** 10.1109/ICOIN.2019.8717981

ISBN Information: **Publisher:** IEEE

Print on Demand(PoD) ISSN: 1976-7684

Authors

Figures

References

Keywords

Metrics

More Like This

Institutional Sign In

Browse

My Settings

Get Help

Subscribe

Advertisement

Advertisement

Conferences > 2017 International Conference...

Modeling resource constrained solo applications using logistic growth model

Publisher: IEEE

2 Author(s) Preeti. N. Jain ; Sunil. K. Surve [View All Authors](#)

1 Paper Citation

56 Full Text Views

Export to Collabratec

Alerts

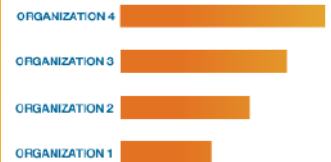
- Manage Content Alerts
- Add to Citation Alerts

More Like This

- XChange: A market-based approach to scalable dynamic multi-resource allocation in multicore architectures
2015 IEEE 21st International Symposium on High Performance Computer Architecture (HPCA)
Published: 2015
- PETS: Performance, energy and thermal aware scheduler for job mapping with resource allocation in heterogeneous systems
2016 IEEE 35th International Performance Computing and Communications Conference (IPCCC)
Published: 2016

[View More](#)

Top Organizations with Patents on Technologies Mentioned in This Article



Advertisement

Abstract

Document Sections

- I. Introduction
- I. Literature Survey
- II Logistic Growth Model
- I. Multi-Core Solo Application Modeling Based on Logistic Growth Model
- V Classification of Application Programs

Downl PDF

Abstract: In any system when the resources are limited they need to be utilized efficiently. In the present work the multi-core system is considered to be running solo applications... [View more](#)

Metadata

Abstract: In any system when the resources are limited they need to be utilized efficiently. In the present work the multi-core system is considered to be running solo applications and uses limited resources. The analysis considers the impact of consumption of two resources viz LLC and main memory bandwidth on multi-core systems. A logistic model is presented and validated for characterizing various SPEC 2006CPU applications using sniper simulator on the basis of their resource utilization. We support the work with statistical approach to distinguish applications following such a logistic model. Under certain conditions, the multi-core model provides a good approximation to the analysis predicted by the logistic model.

Published in: 2017 International Conference on Advances in Computing, Communication and Control (ICAC3)

Date of Conference: 1-2 Dec. 2017 **INSPEC Accession Number:** 17634125

Date Added to IEEE Xplore: 19 March 2018 **DOI:** 10.1109/ICAC3.2017.8318751

Publisher: IEEE

ISBN Information:

Conference Location: Mumbai, India

Authors

Figures

References

Citations

Keywords

Metrics

Institutional Sign In

Browse

My Settings

Get Help

Subscribe

Advertisement

Advertisement

Conferences > 2015 International Conference...

Error propagation in linear and non-linear systems for False Data Injection Attack

Publisher: IEEE

3 Author(s)

Sindhuja Mangalwedekar ; Sunil K. Surve ; H.A. Mangalwedekar [View All Authors](#)

2 Paper Citations

151 Full Text Views

Export to

Collabratec

Alerts

- Manage Content Alerts
- Add to Citation Alerts

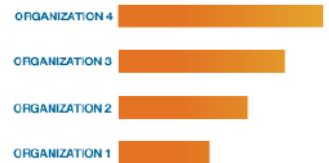
More Like This

On false data injection attack against dynamic state estimation on smart power grids
 2017 IEEE International Conference on Smart Energy Grid Engineering (SEGE)
 Published: 2017

False data injection attacks against nonlinear state estimation in smart power grids
 2013 IEEE Power & Energy Society General Meeting
 Published: 2013

[View More](#)

Top Organizations with Patents on Technologies Mentioned in This Article



Advertisement

Abstract

Document Sections

- I. Introduction
- IV. Results
- V. Conclusion

Downl PDF

Abstract: Due to technological advancement, the integration of cyber systems with the physical power system has increased security concerns. The cyber security issues and the impac... [View more](#)

Metadata

Abstract: Due to technological advancement, the integration of cyber systems with the physical power system has increased security concerns. The cyber security issues and the impact of various attacks on the smart grid have become an integral part of the smart grid. False Data Injection Attack (FDIA) is one of the many ways to compromise a system. In this, measurements are biased by deliberate addition of errors, which in turn, affect the state variables of the system. This paper discusses the impact of FDIA on the smart grid. The paper analyses the effect of FDIA on the non-linear state estimator. It further compares the impact of FDIA on the non-linear state estimator with that of the linear state estimator. This comparison is explained using propagation of error.

Published in: 2015 International Conference on Advances in Computing, Communications and Informatics (ICACCI)

Date of Conference: 10-13 Aug. 2015 **INSPEC Accession Number:** 15486882

Date Added to IEEE Xplore: 28 September 2015 **DOI:** 10.1109/ICACCI.2015.7275686

Publisher: IEEE

ISBN Information:

Conference Location: Kochi, India

Authors

Figures

References

Citations

Keywords

Metrics

More Like This

Institutional Sign In

Browse

My Settings

Get Help

Subscribe

Advertisement

Advertisement

Conferences > 2015 Annual IEEE India Confer...

False Data Injection Attacks and detection scenarios in the power system

Publisher: IEEE

3 Author(s)

Sindhuja Mangalwedekar ; Sunil K. Surve ; H.A. Mangalwedekar [View All Authors](#)

1 Paper Citation

146 Full Text Views

Export to
Collabratec

Alerts

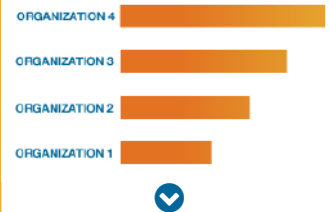
- Manage Content Alerts
- Add to Citation Alerts

More Like This

- Application of parallel particle swarm optimization on power system state estimation
2009 Transmission & Distribution Conference & Exposition: Asia and Pacific
Published: 2009
- Power system state estimation by linear programming under false data injection attack
2017 4th International Conference on Power, Control & Embedded Systems (ICPCES)
Published: 2017

[View More](#)

Top Organizations with Patents on Technologies Mentioned in This Article



Advertisement

Abstract

Document Sections

- I. Introduction
- II. State Estimation
- III. False Data Injection Attacks
- IV. Aberration Index
- V. Attack Scenarios

Downl PDF

Abstract: False Data Injection Attacks (FDIA) in smart grid is an object of extensive investigation. Attack strategies and detection methodologies have been proposed by various res... [View more](#)

Metadata

Abstract: False Data Injection Attacks (FDIA) in smart grid is an object of extensive investigation. Attack strategies and detection methodologies have been proposed by various researchers. The aim of the attacker is to bias the state estimate. This paper proposes to calculate a figure of merit of the bias in the state variables introduced by the attacker, known as Aberration Index. Normalised residues indicate the effect of the attacks on the measurements. This paper discusses the detection of attacks using Aberration Index and Normalised residues for different attack scenarios.

Published in: 2015 Annual IEEE India Conference (INDICON)

Date of Conference: 17-20 Dec. 2015 **INSPEC Accession Number:** 15888109

Date Added to IEEE Xplore: 31 March 2016 **DOI:** 10.1109/INDICON.2015.7443817

Publisher: IEEE

ISBN Information:

Conference Location: New Delhi, India

Electronic ISSN: 2325-9418

Authors

Figures

References

Citations

Keywords

Metrics

More Like This

Advertisement

Institutional Sign In

Browse

My Settings

Get Help

Subscribe

Advertisement

Advertisement

Conferences > 2014 IEEE Students' Conferenc...

Localization and tracking of indoor mobile robot with beacons and dead reckoning sensors

Publisher: IEEE

6 Author(s)

Allan Lobo ; Ronit Kadam ; Shabeeha Shajahan ; Keshad Malegam ; Kranti... [View All Authors](#)

1 Paper Citation

401 Full Text Views

Export to

Collabratec

Alerts

- Manage Content Alerts
- Add to Citation Alerts

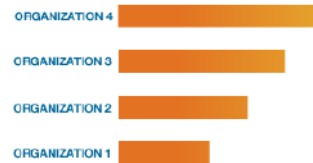
More Like This

Pose estimation of unmanned ground vehicle based on dead-reckoning/GPS sensor fusion by unscented Kalman filter
2009 6th International Conference on Electrical Engineering/Electronics, Computer, Telecommunications and Information Technology
Published: 2009

An enhanced path planning of fast mobile robot based on data fusion of image sensor and GPS
2009 ICCAS-SICE
Published: 2009

[View More](#)

Top Organizations with Patents on Technologies Mentioned in This Article



Advertisement

Abstract

Document Sections

- I. Introduction
- II. Model
- III. Algorithm for Discrete Error Detection and Correction
- IV. Simulation
- V. Conclusions

Download PDF

Abstract: Autonomous robots must be able to localize themselves in an environment. We are interested in the real time pose estimation of a single surveillance robot based on the Od... [View more](#)

Metadata

Abstract: Autonomous robots must be able to localize themselves in an environment. We are interested in the real time pose estimation of a single surveillance robot based on the Odometry algorithm and Dead Reckoning using Inertial Measurement Unit (IMU) sensors. This approach is subjected to accumulated errors due to slippage and drift respectively. Algorithm proposed in this paper uses Trilateration with Extended Kalman filter. We found that our approach reduces the error.

Published in: 2014 IEEE Students' Conference on Electrical, Electronics and Computer Science

Date of Conference: 1-2 March 2014 **INSPEC Accession Number:** 14255016

Date Added to IEEE Xplore: 24 April 2014 **DOI:** 10.1109/SCEECS.2014.6804452

ISBN Information: **Publisher:** IEEE

Conference Location: Bhopal, India

Authors

Figures

References

Citations

Keywords

Metrics

More Like This

Advertisement

Institutional Sign In

Browse

My Settings

Get Help

Subscribe

Advertisement

Advertisement

Conferences > 2015 IEEE International Advan...

Measurement sets in power system state estimator in presence of false data injection attack

Publisher: IEEE

2 Author(s)

Sindhuja Mangalwedekar ; Sunil K. Surve [View All Authors](#)

2 Paper Citations

128 Full Text Views

Export to
Collabratec

Alerts

Manage
Content Alerts

Add to Citation
Alerts

More Like This

Limiting false data attacks on power system state estimation
2010 44th Annual Conference on Information Sciences and Systems (CISS)
Published: 2010

Optimal resilient defense strategy against false data injection attacks on power system state estimation
2018 IEEE Power & Energy Society Innovative Smart Grid Technologies Conference (ISGT)
Published: 2018

[View More](#)

Abstract

Document Sections

- I. Introduction
- II. Linear System
- III. Non-Linear System
- IV. Conclusion

Downl
PDF

Abstract: False data injection attacks (FDIA) on smart grid is a popular subject of current research. The presence of FDIA and other such attacks in smart grid is partly due to the... [View more](#)

Metadata

Abstract: False data injection attacks (FDIA) on smart grid is a popular subject of current research. The presence of FDIA and other such attacks in smart grid is partly due to the combination of Information and Communication Technology with Power Systems. The FDIA on linear model of power system has been extensively analyzed in literature. However the non linear system model has not received the same amount of attention. This paper proposes the concept of balanced and unbalanced measurement set for the purpose of corrupting the state variables in linear and non-linear power system state estimators. The effect of balanced and unbalanced measurement sets for targeted constrained and unconstrained attacks are analyzed for linear and non-linear state estimators.

Published in: 2015 IEEE International Advance Computing Conference (IACC)

Date of Conference: 12-13 June 2015 **INSPEC Accession Number:** 15292713

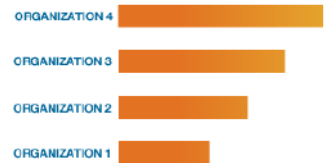
Date Added to IEEE Xplore: 13 July 2015 **DOI:** 10.1109/IADCC.2015.7154827

ISBN Information:

Publisher: IEEE

Conference Location: Bangalore, India

Top Organizations with Patents on Technologies Mentioned in This Article



Advertisement

4th International Conference on Advances in Computing, Communication and Control (ICAC3 15)

Procedia Computer Science

**Mumbai, India
1-2 April 2015**

Editors:

Srija Unnikrishnan

**Sunil Surve
Deepak Bhoir**

ISBN: 978-1-5108-0783-9

Printed from e-media with permission by:

Curran Associates, Inc.
57 Morehouse Lane
Red Hook, NY 12571



Some format issues inherent in the e-media version may also appear in this print version.

Copyright© by Elsevier B.V.
All rights reserved.

Printed by Curran Associates, Inc. (2015)

For permission requests, please contact Elsevier B.V.
at the address below.

Elsevier B.V.
Radarweg 29
Amsterdam 1043 NX
The Netherlands

Phone: +31 20 485 3911
Fax: +31 20 485 2457

<http://www.elsevierpublishingsolutions.com/contact.asp>

Additional copies of this publication are available from:

Curran Associates, Inc.
57 Morehouse Lane
Red Hook, NY 12571 USA
Phone: 845-758-0400
Fax: 845-758-2634
Email: curran@proceedings.com
Web: www.proceedings.com



ELSEVIER

Available online at www.sciencedirect.com

ScienceDirect

Procedia Computer Science 49 (2015) iii–iv

Procedia
Computer Science

Contents

Preface	
S. Unnikrishnan, S. Surve, D. Bhoir	1
Identification and Tracking of Facial Features	
P.R. Borude, S.T. Gandhe, P.A. Dhulekar, G.M. Phade	2
Pancreatic Tumor Detection Using Image Processing	
J. Shah, S. Surve, V. Turkar	11
Satellite Image Resolution Enhancement Using Dyadic-integer Coefficients Based Bi-Orthogonal Wavelet Filters	
B.D. Jadhav, P.M. Patil	17
Recognition of Human Emotions from Speech Processing	
V.V. Nanavare, S.K. Jagtap	24
A Novel Approach to Text Dependent Writer Identification of Kannada Handwriting	
B.V. Dhandra, M.B. Vijayalaxmi	33
Coding of Video Sequences Using Three Step Search Algorithm	
S.M. Kulkarni, D.S. Bormane, S.L. Nalbalwar	42
Implementation and Comparison of Speech Emotion Recognition System Using Gaussian Mixture Model (GMM) and K- Nearest Neighbor (K-NN) Techniques	
R.B. Lanjewar, S. Mathurkar, N. Patel	50
Hand Motion Recognition from Single Channel Surface EMG Using Wavelet & Artificial Neural Network	
S.M. Mane, R.A. Kambli, F.S. Kazi, N.M. Singh	58
Microarray Classification of Cancerous Cell Using Soft Computing Technique	
P. Vijayceeta, U. Kar, M. Rana, M. Das, B.S.P. Mishra	66
Faster File Imaging Framework for Digital Forensics	
N. Kishore, B. Kapoor	74
An Ideal Approach for Detection and Prevention of Phishing Attacks	
N.M. Shekokar, C. Shah, M. Mahajan, S. Rachh	82
Intrusion Detection System Using Bagging with Partial Decision TreeBase Classifier	
D.P. Gaikwad, R.C. Thool	92
Formal Transformation Inhibitory Safe Petri Nets into Equivalent not Inhibitory	
D. Pashchenko, D. Trokoz, N. Konnov, M. Sinev	99
Comparative Study of Techniques to Improve Efficiency of Association Rule Mining	
M. Narvekar, A. Kulkarni, S.S. Santha	104
Improve Accuracy of Prediction of User's Future M-Commerce Behaviour	
D. Argade, H. Chavan	111
Discovering Context of Labeled Text Documents Using Context Similarity Coefficient	
A. Kulkarni, V. Tokekar, P. Kulkarni	118
Machine Learning Algorithm for Predicting Ethylene Responsive Transcription Factor in Rice Using an Ensemble Classifier	
N. Hemalatha, V.F. Brendon, M.M. Shihab, M.K. Rajesh	128
Matrix Factorization Model in Collaborative Filtering Algorithms: A Survey	
D. Bokde, S. Girase, D. Mukhopadhyay	136
Comparison of Clustering Algorithms to Design New Clustering Approach	
S. Sirsikar, K. Wankhede	147
Routing and Re-routing Scheme for Cost Effective Mechanism in WDM Network	
P.R. Patil, B.V. Patil	155
Performance Analysis of Disaster Management Using WSN Technology	
R.K. Jha, A. Singh, A. Tewari, P. Shrivastava	162
HTML5 Based Virtual Whiteboard for Real Time Interaction	
S. Ringe, R. Kedia, A. Poddar, S. Patel	170
Regional Parting and Equipoise Distribution of Job on Cloud Division for Public Cloud	
A. Nadaph, V. Maral	178
Real Time Alert Data Acquisition System Using Dynamic IP Embedded Webserver by USB Modem	
V.U. Patil, A.R. Kapur	187
Issues of Data Aggregation Methods in Wireless Sensor Network: A Survey	
S. Sirsikar, S. Anavatti	194



Download

Share

Export



Procedia Computer Science

Volume 49, 2015, Pages 170-177

HTML5 Based Virtual Whiteboard for Real Time Interaction ☆

Swati Ringe  , Rishabh Kedia , Anuj Poddar , Sahil Patel  **Show more**<https://doi.org/10.1016/j.procs.2015.04.241>[Get rights and content](#)Under a Creative Commons [license](#)[open access](#)

Abstract

Meetings and classrooms demand the presence of the person in the room if he wants to participate. A tool widely used in such places is a whiteboard. A whiteboard has limited creativity and interactivity options and hence it needs to be replaced with better tools. In this paper we develop a web application to increase collaboration without restricting him to any location, operating system platform or device. Our application allows users to interact and share information via drawings, images, chat, audio and video. They can create individual rooms and share the room id with only certain people. Users only need access to web browsers and internet to make use of the application. There is no limit on the number of users allowed to participate and no plug-in needs to be downloaded. We have implemented this system by using HTML5, Node.js and WebSocket. WebSocket support concurrency in real-time transmission of information. All the users can simultaneously interact with the system. The experimental results demonstrate the high scalability of our system. As evident from the experiments, the response delay is extremely low, the system is fast and provides real-time experience to the users.



Previous

Next



Keywords

Institutional Sign In

Browse

My Settings

Get Help

Subscribe

Advertisement

Advertisement

Conferences > 2018 International Conference...

An IOT Based Smart Cubicle System for Effective Power Usage and Employee Monitoring in Offices

Publisher: IEEE

4 Author(s)

Slavvy Coelho ; Ruchita Rozario ; Rohit Sharma ; Mahendra Mehra [View All Authors](#)

125 Full Text Views

Export to Collabratec

Alerts

- Manage Content Alerts
- Add to Citation Alerts

More Like This

- Automation control and monitoring of public street lighting system based on internet of things
2017 International Conference on Electrical Engineering and Computer Science (ICECOS)
Published: 2017
- Research and design of environmental monitoring and road lighting system based on the Internet of things
2018 Chinese Automation Congress (CAC)
Published: 2018

[View More](#)

Top Organizations with Patents on Technologies Mentioned in This Article



Advertisement

Abstract

Document Sections

- I. Introduction
- II. Components Used
- III. Proposed Model
- IV. Implementation
- V. Conclusions

Download PDF

Abstract: In today's world of rapid changes in technology and new inventions and updates being implemented every second, human beings while running for the bigger concerns are neglig... [View more](#)

Metadata

Abstract: In today's world of rapid changes in technology and new inventions and updates being implemented every second, human beings while running for the bigger concerns are neglecting the trivial aspects which may cause them a fortune if such profligate use is continued. One such example is the reckless usage of electricity. In this paper, we present a Smart Lighting System which aims at curbing this problem using IOT. Internet of Things has captured this era of computing technology. It is made up of advanced technology components that have the ability to transmit, analyze and interpret information and function in accordance to the human behavioral inputs. Here we propose an energy efficient system for lighting up a room based on the occupancy of the room and the intensity of the light using PIR sensors and other components such as LDR and Raspberry Pi. The lighting system of the room is based on a grid format and when a person is in the vicinity or the range of a particular bulb, only then will it be lit. The introduction of Raspberry Pi in the model will also allow monitoring of employee work-patterns. Our proposed system will eliminate the human errors such as leaving the buttons on due to negligence. The advent of such a system will conserve energy, enhance customer service and aid economic development.

Published in: 2018 International Conference on Smart City and Emerging Technology (ICSCET)

Authors

Figures

References

Keywords

Metrics

More Like This

Sanjiv K. Bhatia · Shailesh Tiwari ·
Krishn K. Mishra · Munesh C. Trivedi
Editors

Advances in Computer Communication and Computational Sciences

Proceedings of IC4S 2018

 Springer

Editors

Sanjiv K. Bhatia
Department of Mathematics
and Computer Science
University of Missouri–St. Louis
St. Louis, MO, USA

Krishn K. Mishra
Department of Computer Science
and Engineering
Motilal Nehru National Institute
of Technology
Allahabad, Uttar Pradesh, India

Shailesh Tiwari
CSED
ABES Engineering College
Ghaziabad, Uttar Pradesh, India

Munesh C. Trivedi
Department of Information Technology
Rajkiya Engineering College
Azamgarh, Uttar Pradesh, India

ISSN 2194-5357 ISSN 2194-5365 (electronic)
Advances in Intelligent Systems and Computing
ISBN 978-981-13-6860-8 ISBN 978-981-13-6861-5 (eBook)
<https://doi.org/10.1007/978-981-13-6861-5>

Library of Congress Control Number: 2019932704

© Springer Nature Singapore Pte Ltd. 2019, corrected publication 2019

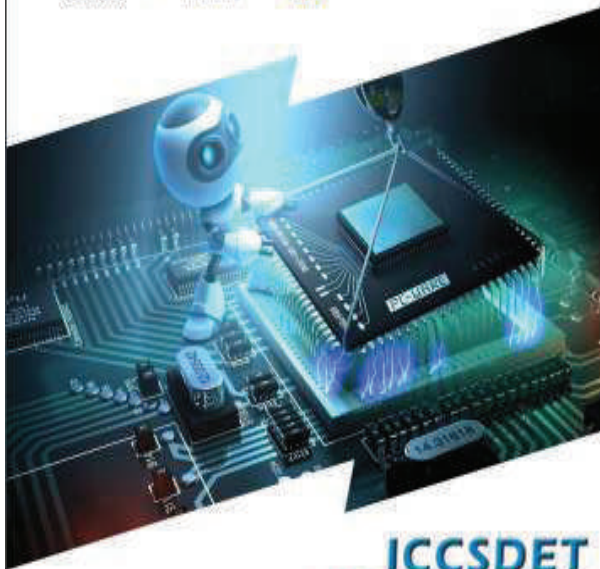
This work is subject to copyright. All rights are reserved by the Publisher, whether the whole or part of the material is concerned, specifically the rights of translation, reprinting, reuse of illustrations, recitation, broadcasting, reproduction on microfilms or in any other physical way, and transmission or information storage and retrieval, electronic adaptation, computer software, or by similar or dissimilar methodology now known or hereafter developed.

The use of general descriptive names, registered names, trademarks, service marks, etc. in this publication does not imply, even in the absence of a specific statement, that such names are exempt from the relevant protective laws and regulations and therefore free for general use.

The publisher, the authors and the editors are safe to assume that the advice and information in this book are believed to be true and accurate at the date of publication. Neither the publisher nor the authors or the editors give a warranty, expressed or implied, with respect to the material contained herein or for any errors or omissions that may have been made. The publisher remains neutral with regard to jurisdictional claims in published maps and institutional affiliations.

This Springer imprint is published by the registered company Springer Nature Singapore Pte Ltd.
The registered company address is: 152 Beach Road, #21-01/04 Gateway East, Singapore 189721, Singapore

Skyline Probabilities with Range Query on <i>Uncertain Dimensions</i>	225
Nurul Husna Mohd Saad, Hamidah Ibrahim, Fatimah Sidi and Razali Yaakob	
KDD-Based Decision Making: A Conceptual Framework Model for Maternal Health and Child Immunization Databases	243
Sourabh Shastri and Vibhakar Mansotra	
An Efficient Detection of Malware by Naive Bayes Classifier Using GPGPU	255
Sanjay K. Sahay and Mayank Chaudhari	
Content-Based Audio Classification and Retrieval Using Segmentation, Feature Extraction and Neural Network Approach	263
Nilesh M. Patil and Milind U. Nemade	
Information Extraction from Natural Language Using Universal Networking Language	283
Aloke Kumar Saha, M. F. Mridha, Jahir Ibna Rafiq and Jugal K. Das	
On the Knowledge-Based Dynamic Fuzzy Sets	293
Rolly Intan, Siana Halim and Lily Puspa Dewi	
Analysis and Discussion of Radar Construction Problems with Greedy Algorithm	303
Wenrong Jiang	
Multilevel ML Assistance to High Efficiency Video Coding	313
Chhaya Shishir Pawar and SudhirKumar D. Sawarkar	
Recognizing Hand-Woven Fabric Pattern Designs Based on Deep Learning	325
Wichai Puarungroj and Narong Boonsirisumpun	
Learning Curve as a Knowledge-Based Dynamic Fuzzy Set: A Markov Process Model	337
Siana Halim, Rolly Intan and Lily Puspa Dewi	
Human Body Shape Clustering for Apparel Industry Using PCA-Based Probabilistic Neural Network	343
YingMei Xing, ZhuJun Wang, JianPing Wang, Yan Kan, Na Zhang and XuMan Shi	
Predicting the Outcome of H-1B Visa Eligibility	355
Prateek and Shweta Karun	
Dynamic Neural Network Model of Speech Perception	365
Marius Crisan	



ICCSDET
PROCEEDINGS
 IEEE International Conference on
Circuits and Systems in
Digital Enterprise Technology
 21st & 22nd December 2018 | Kottayam, India

Organized by

SAINTGITS
 COLLEGE OF ENGINEERING
 KOTTAYAM, KERALA, INDIA

Industrial Sponsors

QUANSER
 INNOVATE. EDUCATE.

NATIONAL INSTRUMENTS

A novel hybrid technique for user navigation pattern prediction using KHM and FP growth

Anita Chacko
Information Technology
 St. CNE
 Mumbai, India
 jachacko@gmail.com

Rashmi Taneer
Computer Engineering
 UPI
 Mumbai, India
 rashmitaneer@gmail.com

Sheela Antony
Computer Engineering
 UPI
 Mumbai, India
 antony@sheela@gmail.com

Abstract—A huge amount of data is available in the web. Several users visit or access the data available on the internet. This makes it difficult to understand the browsing behavior of the user. The browsing history of the user is recorded in the web server log files, which log files need to be analyzed. The approach describes a two paper is based on a novel hybrid technique for analyzing the browsing patterns. It involves a novel and hybrid approach based on clustering and pattern mining algorithms. The approach discussed in this paper is being implemented and the results are analyzed and compared with other related system using two different datasets. The results are also compared, measuring the execution time, accuracy and number of frequent patterns.

Keywords— web log files, web usage mining, clustering, pattern mining, FP growth, KHM, association rules.

1. INTRODUCTION

Web mining involves using data mining techniques for identifying useful information from the web documents or services. There are certain categories of information that can be discovered by web mining.

Web activity data - discovered from the web server log files and the users navigation pattern.

Web graph - discovered from the links between web pages and the users and other data.

Web content - discovered from the data found on web pages.

User's navigation file is recorded in the web log files. Such web activity data is used further for understanding user's browsing behavior. While analyzing the browsing behavior the web activity has to undergo three important phases i.e preprocessing of the data, discovery of missing patterns and pattern analysis. It is also used for predicting the future browsing pattern of the user. The results obtained are useful in several areas like recommendation, prediction of future

5. Applying frequent pattern mining techniques to identify user's interests and associations rules from the recorded data.

6. Using the association rules to predict the pages likely to be visited by the user.

The organization of the paper is as follows: Section II explains the literature survey done in this area, Section III describes the methodology of the proposed system, In Section IV the results obtained and the result analysis and a comparative analysis of the proposed system with other related system is provided, finally in Section V the conclusion and future scope to discuss. The paper covered in [1] [7] describe the proposed system with its objective and shows its comparative results with the existing system. However the results are evaluated only on the basis of execution time. In this paper our goal is to evaluate the results of the proposed system with existing system with respect to multiple classes and with several comparison parameters. The result analysis part is a comparative part and extensions [7].

II. RELATED WORK

The existing approaches for prediction of user's navigation patterns are discussed in this section. Most of the approaches use a combination of clustering and pattern mining algorithms [4] [17].

The k-means clustering algorithm along with Apriori pattern mining algorithm and Markov model for prediction is used in [1]. K-means is a clustering method based on a distance measure. Apriori algorithm is used for identifying patterns and further the user future request are predicted using the Markov model.

A combination of k-means for clustering and FP growth for pattern mining is discussed in [1], [18]. In 5 the Markov model is used in predictor of future request.

In [7], [3] the frequent patterns are identified using FP

VIT | Vidyalankar
Institute of
Technology
ACCREDITED A+ BY NAAC



Proceedings
Fourth International Conference
on

**“Recent Advances and Challenges
in Engineering and Management”**

RACEM 2019

March 29-30, 2019

Technically Co-sponsored by





C027.	School Automation System	40
C028.	Face Recognition Home Security Using Raspberry Pi &IOT	40
C029.	IOT Based Energy Meter Android Application	41
C030.	Hierarchy Based Secured File Sharing	41
C031.	Secured Re-Encryption in Un-Reliable Cloud Using File Sharing	42
C032.	Dynamic Report Generation	42
C033.	Dynamic Vehicle Parameters Assessment using Web Application.....	42
C034.	Personalized Smart Mirror with Voice Controlled Home Automation Using Raspberry Pi 3.....	43
C035.	Smart Visitor Detector.....	43
C036.	Child Safety Using IOT.....	44
C037.	Real Time Sensing with IoT and Environmental Monitoring Using Raspberry Pi.....	45
C038.	IoT Based Biometric School Bus Attendance and Tracking System	45
C039.	IOT for Monitoring Oil Well Production and ensure Reliability	46
C040.	Explore Mumbai Tour Guide: Application For Android Mobile	46
Management Track		47
Theme: Service, Marketing consumer behavior business process & Re-Engg. Future Workplaces and Challenges for HR.....		47
M01	SPARK – An Android Application for Parking Reservation System.	48
M02	Personalized Smart Mirror with Voice Controlled Home Automation Using Raspberry Pi 3.....	48
M03	Analysis of the Social Media Role in Smart Learning	49
M04	Explore Mumbai Tour Guide: Application for Android Mobile.....	49
M05	Assessment of factors causing delay in Construction Projects.....	50
Theme: Education Pedagogy, social Impact, financial forecasting		51
M06	Building An Expert System Based On Data Mining	52
M07	Current Features Regional Development of Organizations Of The Sphere Of Engineering In Ukraine	52
M08	Detecting Stress Based on Social Interactions in Social Networks.....	53
M09	Blockchain Technology Used In Taxation	53
M10	Financial Planner and Asset Allocation Using Machine Learning	54
Bio Medical Track		55



Children must be taught how to think, not what to think.

Teachers- Engineering Emotions in the Classrooms



Dr. Trehan Khushbu
Assistant Professor,
Mumbai,
Maharashtra, India.

About Author:

Assistant Professor (Communication Skills), Humanities and Science Department
Father Conceicao Rodrigues College of Engineering, Mumbai, India
Doctorate in Canadian Literature (Ph.D. Course Work with 72%), Certified Dale Carnegie Trainer, completed 220 hours Advanced Diploma Program in TESOL from American TESOL with Specialization in Business English Teachers' Training.
-Conducted lectures and trained hundreds of students to hone their Presentation skills, Group discussion attributes and personal interview techniques to excel in campus placements.

"School is an emotional caldron : a constant stream of academic and social challenges that can generate feelings ranging from loneliness to euphoria."

- Marc Brackett

(A senior research scientist in psychology at Yale University)

The chrysalis of any nation depends primarily on the absolute standards of its educational institutions. In this tech-saturated Google era, the education in our country has witnessed revolutionary changes during last decade. On one hand, there is stupendous explosion of knowledge and inclusion of information, communication and technology in education; on the other hand, it has increased the challenges and responsibilities of the teacher. Furthermore, the digital era has greatly influenced the teaching patterns in educational institutions thereby making teaching profession quite a challenging one than it was a few decades ago.

Teachers are the ones who shape this whole process of education by creating interest in students to develop progress and achieve whatever they aim for. Thus they are the sole factor for the resurgence and strengthening of the education system. An effective teacher is required to interact with the students, influence them and enable them to achieve better, become good citizens through academic and personal-social interaction with them by understanding and handling the situation with emotions in the right way at the right time. This paper is an attempt to substantiate the fact that by being emotionally intelligent helps teachers managing students' emotions in particular situations that makes the difference.

Key Words:

Emotions, Effective Teaching, Educational System, Personal-Social Interaction

Introduction:

Life not only gives individuals professional challenges (to be solved theoretically) but also the challenges connected with personal emotions (the interpersonal problems connected with family and institutional relationships).

Both the problems (personal and professional), more often than not, are resolved by the psychic balance of an individual and the way he responds to solve these problems. And thus, the success of interpersonal relationships depends not only on the intellectual abilities, but also on the emotional development (the way an individual manages is own and the other peoples' emotions). People who are emotionally intelligent are able to effectively connect with others, have strong inter-personal relationships, productive in their work and are more satisfied during their life. This satisfaction level helps them build a positive self-image and self-esteem. Those who are not able to understand and manage their emotions are largely dominated by their emotions and find it difficult to adapt to certain situations in life.

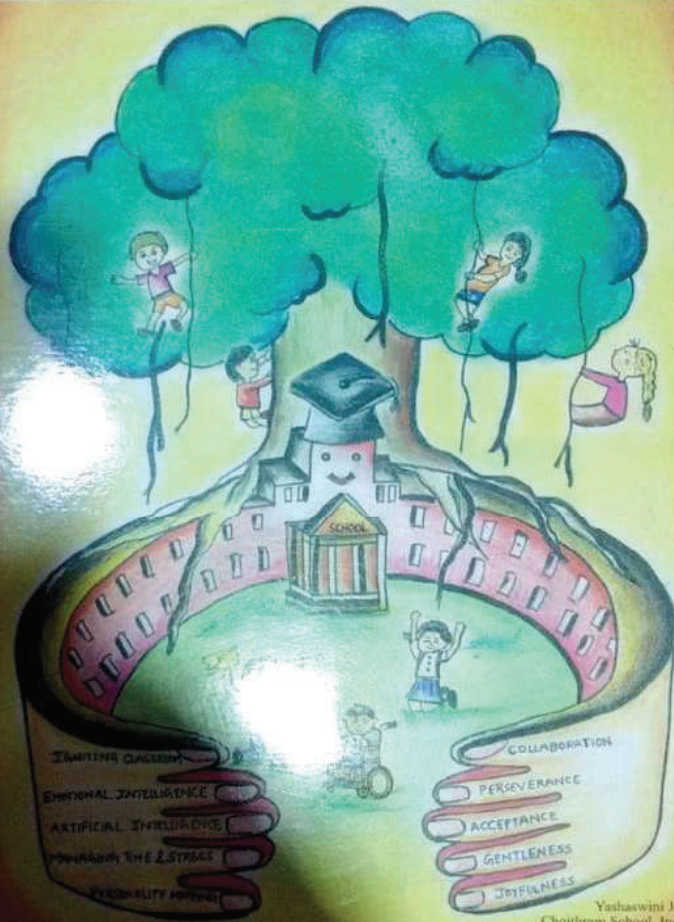
Theoretical Substantiation:

The concepts of "emotion" and "intelligence" have been debated throughout history. Both Aristotle and Plato emphasized that "low level emotions have no direction and need to be directed by the logic." Descartes, with his hypothesis "I think therefore I am," claimed that emotions arise together with thoughts. Affected by the philosophy of reason, Descartes defined emotions as primitive elements that need to be controlled (Graves, 1999; Çakar, 2002:9-



आलौकित सानिध्य

SOUVENIR



Yashaswini Joshi
Chaitram School, Indore



GLOBAL TEACHERS' MEET

Happy School & Safe School

December 29-30, 2018

INDORE (M.P.)



Scanned with
CamScanner

Exploring Science in Black Fiction; A Study of Octavia Butler's
Parable Series

Khushbu Trehan and Naeemul Haq
Research Scholars, School of Studies in English,
Vikram University, Ujjain (M.P)

Abstract

Octavia Estelle Butler was born on June 22, 1947, in Pasadena, Calif. As a girl, she was known as Junie. Octavia E. Butler, an internationally acclaimed science fiction writer whose evocative, often troubling, novels explore far-reaching issues of race, sex, power, fall and death. The researcher aims at exploring the elements and aspects of science fiction in the novel *Parable of the Sower* of Octavia Butler. Set in a future where government has all but collapsed, *Parable of the Sower* centers on a young woman named Lauren Olamina who possesses what Butler dubbed hyperempathy – the ability to feel the perceived pain and other sensations of others – who develops a benign philosophical and religious system during her childhood in the remnants of a gated community in Los Angeles. Civil society has reverted to relative anarchy due to resource scarcity and poverty. When the community's security is compromised, her home is destroyed and her family murdered. She travels north with some survivors to try to start a community where her religion, called Earthseed, can grow. Throughout Ms. Butler's career, the news media made much of the fact that she was an African-American woman writing science fiction, traditionally a white male bastion. Set in time periods ranging from the historical past to the distant future, Ms. Butler's books were known for their controlled economy of language and for their strong, believable protagonists, many of them black women. She wrote a dozen novels, including "Parable of the Sower" (*Four Walls Eight Windows*, 1993); "Parable of the Talents" (*Seven Stories Press*, 1998); and, most recently, "Fledgling" (*Seven Stories*), which appeared last year.

Key Words: Science, Racial Issues, Black Fiction, Social Issues, Community

When we read or hear the term Science Fiction, it comes to our mind that it is a type of genre which deals with robots, graphics, futurism, and distant planets inhabited by aliens. But Black Science Fiction highlights a variety of activities within the science fiction, fantasy, and horror genres where people of the African diaspora take part or are depicted. In the late 1990s a number of cultural critics began to use the term Afrofuturism to depict a cultural and literary movement of thinkers and artists of the African diaspora who were using science, technology, and science fiction as means of exploring the black experience.

Science fiction novelist Octavia Butler dreamed up fantastic worlds and religions, made-up creatures and futuristic plots in her novels. Then, in her stylistic prose, she used them to tackle the social issues she was most passionate about. *Parable of the Talents*, a futuristic story about a utopian community ravaged by civil war, explored modern-day issues of intolerance, the growing gap between rich and poor, and environmentalism. In her first novel, *Kindred*, she plunged into racial issues when a modern-day character was transported into the body of a pre-Civil War slave. In 2000, she received the Nebula Award for her novel *Parable of the*

Nutan Vidyalaya Shikshan Sanstha's

**Nutan Mahavidyalaya, Selu.
Dist. Parbhani (MS)**



With the Financial Assistance of NAAC
Organized



One Day National Seminar On

“ADMINISTRATIVE AND ACADEMIC AUDIT”

On 10th March, 2016

PROCEEDING



Edited by
Dr. V.H. Panchal
Dr. Nimala S. Padmavat
Miss. Usha Kadam



Nutan Vidyalaya Shikshan Sanstha's

Nutan Mahavidyalaya, Selu.

Dist. Parbhani (MS)

With the Financial Assistance of NAAC

Organized

One Day National Seminar On
"ADMINISTRATIVE AND ACADEMIC AUDIT"

On 10th March, 2016.

Proceeding

Edited by

Dr. V.H. Panchal

Dr. Nimala S. Padmavat

Miss. Usha Kadam

Publication Details:

ISBN No. 978 - 93 - 84267 - 20 - 9

Publissher :

Abhang Prakashan

17, Hotel Godavari Complex

V. I. P. Road Nanded -431602

abhang06@gmail.com

अभंग
प्रकाशन

Printer:

Mayur Printers

Parth Sankul ,Kailasnagar

Nanded -431605

mayur.ned@gmail.com

INDEX

Title	Name of Author
1. ACADEMIC AND ADMINISTRATIVE AUDIT AND RULAR	Dr. Girish Kousadikar & Dr. V.Y. sonawane
2. ACADEMIC AND ADMINISTRATIVE AUDIT : An Overview	Dr. Vaibhav H. Waghmare.
3. The use of acaemic audit for effectively improving the teaching learning process	Prof. Choudhari D.S Dept of english maharashtra, Nilanga, dist Latur
4. " ROLE OF ACADEMIC AND ADMINISTRATION IN THE IMPROVEMENT OF QUALITY EDUCATION	Mrs. Suchita Ravindra Dabhade Dept. of basic science and humanities MIT Aurangabad
5. Administration of banking and role of women employee (special cocern with nanded city)	Prof. Mrs. Nathani Rani jairamdas, Dr. R.D. deshmukh P.N.college Nanded
6. Importance of academic and Administrative audit	Prof. Mrs. POL anupama Prakash Art & commerce college Kurduwadi
7. Role of academic and administrative audit in imparting quality education	More vijay Raosaheb, Registrar Shri Shivaji college Parbhani
8. An introducing to auditing	Nemmaniwar vijayalakshmi Ganganna
9. Classroom administration of fresher Faculties in engineering college	DR. Joseph Rodrigues, Lokmanya tilak college of engineering, Navi- Mumbai
10. The structure of IQAC and importance of academic and administrative audit	Mr. Udaykumar Babruwani Gawali
11. Tutorials : an effective teaching learning tool	Waman kumar Wani Assistant Professor of english B Raghunath college parbhani
12. Administration in the classroom of the first year polytechnic	Miss. Bhavna Joshi. Lect. In Mechanical
13. Digitalization of office	11 Deepali R Shere
14. Teacher: the administrator of a class or life	Dr. Kamlakar Jadhav

09. CLASS ROOM ADMINISTRATION OF FRESHER FACULTIES IN ENGINEERING COLLEGE

Dr. Joseph Rodrigues
Lokmanya Tilak College of Engineering, Navi-Mumbai

Abstract:

Faculties play a very important role in shaping the career of students. Quality education has a pivotal role in this ever progressing world. Though engineering institutes scrutinize the fresher candidates as per their subject knowledge, they seriously lack Class administration. This paper highlights the weaknesses of the fresher faculties of Engineering colleges to handle this noble profession thereby degrading the quality of teaching.

(Key words: Fresher Faculties, lack class administration, degrading quality of teaching)

Background

With the blooming of engineering institutes, it looks for aspirant candidates to join as Assistant Professor. With the competitive world, the qualification criteria are also increasing day by day. Earlier, a candidate with Bachelor of Engineering (B.E) was eligible to work as a lecturer. But within a decade, the minimum criteria to choose teaching as a profession in engineering college are Master of Engineering (M.E) with First class. A candidate with mere B.E qualifies for getting a post of Lab. Asst. Candidate with Master's degree with no proficiency in class administration are given opportunities in engineering college. This has totally degraded the teaching and handling of class in professional colleges.

Problem

Due to crises in the market, many M.E job aspirants do not get job in the industries. With the passing of time, due to frustration of waiting for job in Industry; the candidates move to colleges for teaching profession as their last option. They have to select this job to make their living. Uninterested, they enter this profession with no goal in life. This has not only spoilt the teaching quality of our country but also the reputation of colleges. The feedback of the college students gives a crucial turn to the admission process too. With mouth to mouth advertising, the society inquires about the college to students of the college. If the feedback of the college is bad, no one wishes to take admission to the college because of teaching quality.

*Redefining
Identities, Cultures
and
Literatures*

Volume I

Edited by

Vasant Harkal

Redefining Identities, Cultures and Literatures

Volume 1

Vasant Harkal



Creative Books

New Delhi

CREATIVE NEW LITERATURE SERIES-173

Published by:

CREATIVE BOOKS

'SHANTI' CB-24, Naraina, New Delhi-110028

Phone: 25775818

e-mail: creativebooks2004@yahoo.com

Copyright © the Editors

Copyright © All rights reserved. No part of this publication may be reproduced, stored in a retrieval system or transmitted in any form or by any means electronic, mechanical, photocopying, recording or otherwise without the prior permission of the Editors.

Edition: 2016

ISBN: 978-81-8043-130-2

Typesetting by:

PRIYANKA GRAPHICS

New Delhi

Printed by:

NICE PRINTING PRESS

Delhi

8 MARGARET LAURENCE: A CRITICAL STUDY OF THE NOVELS

Identity Crises in Jhumpa Lahiri's 'Unaccustomed Earth'
Joseph Rodrigues
250

Socio-Cultural Identity in The Circle of Reason
Wamankumar Wani
256

Reconstructing Self and Redefining Identity: A
Comparative study on Female protagonists in Select
Novels of Anita Desai and Kamala Markandaya
Mandapaka Kasu and Chelle Naresh
264

Technology at its Worst: Examining 'Harvest' as a
Futuristic Play
Jagruti Patel
274

Quest for Identity in A Jest of God
Makarand C. Joshi
280

Identity and Diaspora:
A Study of Meena Alexander's
"Manhattan Music"
Totawad Nagnath Ramrao
284

Resistance through pen: an analysis of Bama's
Karukku
Narendra Sonu Tayade
289

33. Redefining Greek Mythology
Pradnyashailee Sawai
293

"Cultural Change, Cultural Shock" A Study of Snehalata
Reddy's 'Sita'
Uttam Ambhore and Rajanand Tayade
299

**CRITICAL RESPONSES TO DIASPORIC
LITERATURES IN ENGLISH**

**J. SAMUEL KIRUBAHAR
B. SEEVAM**

**Virudhunagar Hindu Nadars'
Senthikumara Nadar College (Autonomous)
Virudhunagar - 626 001
Tamil Nadu, India**

LITERATURES IN ENGLISH

**J. SAMUEL KIRUBAHAR
R. SELVAM**

**Virudhunagar Hindu Nadars'
Senthikumara Nadar College (Autonomous)**

Virudhunagar – 626 001

Tamil Nadu, India

Title of the Book : Critical Responses to Diasporic
Literatures in English
Editors : J. Samuel Kirubahar
R. Selvam
First impression : September, 2015
Pages : 354
Price : Rs.850
ISBN : 978-93-81723-46-3
Printed at : Laser Point, Madurai – 625 003

Publisher

Virudhunagar Hindu Nadars' SenthikumaraNadar College
(An Autonomous Institution Affiliated to Madurai Kamaraj
University) (Re-accredited with 'A' Grade by NAAC)
College Road, Virudhunagar – 626 001
Tamil Nadu, India
e-mail:support@vhnsnc.edu.in

web:www.vhnsnc.edu.in

All rights reserved. No part of this publication may be reproduced, stored in a retrieval system, transmitted or utilized in any form or by any means, electronic, mechanical, photocopying, recording, or otherwise, without the prior permission of the copyright owner. Application for such permission should be addressed to the publisher.

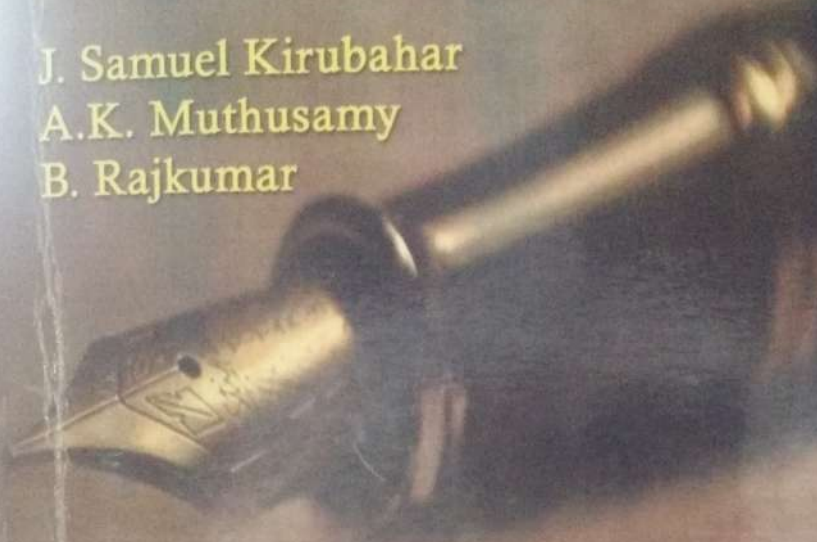
Disclaimer

The authors are solely responsible for the contents of the papers edited in this book. The publisher or editors do not take any responsibility for the same in any manner. Errors, if any, are purely unintentional

53	Chasing a Raisin in the Sun	Thilagavathy R.	260
54	Cultural Studies in Bharati Mukherjee's <i>Desirable Daughters</i>	P. Vanitha	261
55	Human's Tranquility To Be An Argonaut Through Ruth Pravar Jhabvala's <i>The Householder</i>	N. Vetrivel Mrs. P. Malarvizhi	275
56	Thirst for Identity in Jhumpa Lahiri's <i>The Namesake</i>	T. Vijayalakshmi K. Manishree	278
57	Crux and Crown of Expatriation: a Reading Bharati Mukherjee's <i>Wife and Jasmine</i>	G. Vinoth Kumar	284
58	Depiction of 'Black Servants' in William Faulkner's <i>The Sound And The Fury (1929)</i>	Vishnu Prabhu K.S.	288
59	Alienation and Nostalgia in Jhumpa Lahiri's <i>The Namesake</i>	D. Sasi Devi	293
60	Boman Desai's <i>the Memory of Elephant</i> as a Quest for the New Hybrid Identity	T.M.S Maideen	297
61	Sense of Identity and Cultural Dislocation in Bharati Mukherjee's <i>Desirable Daughters</i>	S. Jothi malar	305
62	Cultural Hybridization in the Select Novels of Chitra Banerjee's Divakaruni	Dr.C.Arul Renuga	310
63	Postmodern Writing: Themes and Techniques in Orhan Pamuk's <i>Snow</i>	Mrs. M. Gayathri	319
64	The Intergenerational Aspect, Revision and Retention of Cultural Elements in the Novel ' <i>The Namesake</i> '	Dr. Joseph Rodrigues	328

**WOMEN WRITINGS IN ENGLISH:
ACROSS THE GLOBE**

J. Samuel Kirubahar
A.K. Muthusamy
B. Rajkumar



**Virudhunagar Hindu Nadars'
Senthikumara Nadar College (Autonomous)
Virudhunagar – 626 001
Tamil Nadu, India**

**WOMEN WRITINGS IN ENGLISH: ACROSS
THE GLOBE**

J. Samuel Kirubahar

A.K. Muthusamy

B. Rajkumar

Virudhunagar Hindu Nadars'
Senthikumara Nadar College (Autonomous)
Virudhunagar – 626 001
Tamil Nadu, India.

Title of the Book : Women Writings In English:
Across the Globe
Editors : J. Samuel Kirubahar
A.K. Muthusamy
B. Rajkumar
First impression : March, 2016
Pages : 396
Price : Rs.800/-
ISBN : 978-93-81723-52-4
Printed at : Laser Point, Madurai- 625 003

Publisher

Virudhunagar Hindu Nadars' Senthikumara Nadar College
(An Autonomous Institution Affiliated to Madurai Kamaraj University
(Re-accredited with 'A' Grade by NAAC)
College Road, Virudhunagar – 626 001
Tamil Nadu, India

e-mail: support@vhnsnc.edu.in

web: www.vhnsnc.edu.in

All rights reserved. No part of this publication may be reproduced, stored in a retrieval system, transmitted or utilized in any form or by any means, electronic, mechanical, photocopying, recording, or otherwise, without the prior permission of the copyright owner. Application for such permission should be addressed to the publisher.

Disclaimer

The authors are solely responsible for the contents of the papers edited in this book. The publisher or editors do not take any responsibility for the same in any manner. Errors, if any, are purely unintentional.

19	49.	Exploration of the Escapist and Estranged Attitude of Men in Toni Morrison's <i>Sula</i>	269
		Dr. M. Devi Chandra	
20	50.	The Theme of Exile and Self-Alienation in Anita Desai's <i>Bye-Bye Black Bird</i>	273
		Dr. J. Sobhana Devi	
20	51.	Gita Mehta's <i>A River Sutra</i> – A Fabrication of Composite Cultures	279
		Ms. K. Drakshaini	
21	52.	Dream Comes True: Stephenie Meyer's <i>Twilight</i> As A Vampire Romance	288
		Ms. J. Kavitha	
22	53.	Identity Crisis in Shobha De's <i>Starry Nights</i>	292
		Dr. Keyur K. Parekh	
22	54.	The Indian Immigrant Woman Writer of 'A Temporary Matter'	298
		Dr. Joseph Rodrigues	
		Kumara Balaji R	
22	55.	Defining The Self Through The Power of Words in <i>The House On Mango Street</i>	302
		Mrs. L. Gayathri Devi	
23	56.	Feministic Perspectives in Nayantara Sahgal's <i>Storm in Chandigarh</i>	309
		Mr. Kishore Selva Babu	
24	57.	Cultural Conflicts in Chitra Banerjee's <i>The Mistress of Spices</i>	319
		K. Muthamil Selvi	
25	58.	Socio-Religious in Carceration : Tehmina Durrani's Plight in The Liberation of the Suppressed Self	325
		Dr. V. Nirmala	
26			

10- 12.00
 00- 13.30
 BCE
 TECA
 BCE
 TEC
 BCE
 TET

ASME 2018 International
Design Engineering
Technical Conferences and
Computers and Information
in Engineering Conference

August 26-29, 2018
Quebec City, Quebec, Canada

Conference Sponsors:

Design Engineering Division

Computers and Information in
Engineering Division

Volume 4: 23rd Design for
Manufacturing and the Life Cycle
Conference; 12th International
Conference on Micro- and
Nanosystems

ISBN: 978-0-7918-5179-1

Design and Simulation of High SNR Varying Thickness Embedded Strain Sensing Polymer Microcantilever for Biosensing Applications

P. V. Kasambe, K. S. Bhole, D. V. Bhoir



+ Author Information

Paper No: DETC2018-85731, V004T08A004; 7 pages

<https://doi.org/10.1115/DETC2018-85731>

Published Online: November 2, 2018

To convert induced surface stress of a bio-functionalized microcantilever into an electrical signal; U shaped piezoresistive detection technique is mostly preferred over other techniques due to its several advantages. But the inherent disadvantage of this technique is thermal stress sensitivity as a source of noise which reduces its signal to noise ratio (SNR). Polymer microcantilever has larger stress sensitivity due to its low young's modulus

Latest Conference Proceedings Alert

Proceedings Paper Activity Alert

Related Proceedings Papers

Hydrodynamic Loading of Vibrating
Micro-Cantilevers

IMECE2005

Static and Dynamic Analysis of
Electrostatically Actuated
Microcantilevers Using the Spectral
Element Method

IMECE2005

PROCEEDINGS SERIES

International Design Engineering Technical Conferences and Computers and Information in Engineering Conference

Latest Proceedings All Years Browse by Subject Category ▾ All Proceedings Topic Collections About ▾

Search...

IDETC-CIE



Advanced Search



ASME 2018 International
Design Engineering
Technical Conferences and
Computers and Information
in Engineering Conference

PROCEEDINGS PAPER

Design and Simulation of High SNR Varying Thickness Embedded Strain Sensing Polymer Microcantilever for Biosensing Applications

P. V. Kasambe, K. S. Bhole, D. V. Bhoir



+ Author Information

Paper No: DETC2018-85731, V004T08A004; 7 pages

<https://doi.org/10.1115/IDETC2018-85731>

Published Online: November 2, 2018

Share ▾ Cite Permissions

Email Alerts

Latest Conference Proceedings Alert

Proceedings Paper Activity Alert

Related Proceedings Papers

Hydrodynamic Loading of Vibrating
Micro-Cantilevers

IMECE2005

SINGLE PRECISION FLOATING POINT DIVISION

¹NAJIB GHATTE, ²SHILPA PATIL, ³DEEPAK BHOIR

^{1,2,3}Fr. Conceicao Rodrigues College of Engineering, Fr. Agnel Ashram, Bandstand, Bandra (W), Mumbai: 400 050, India

Abstract- Binary Division is one of the most crucial and silicon-intensive and of immense importance in the field of hardware implementation. A Divider is one of the key hardware blocks in most of applications such as digital signal processing, encryption and decryption algorithms in cryptography and in other logical computations. Being sequential type of operation, it is more prominent in terms of computational complexity and latency. This paper deals with the novel division algorithm for single precision floating point division Verilog Code is written and implemented on Virtex-5 FPGA series. Power dissipation has been reduced. Moreover, significant improvement has been observed in terms of area-utilisation and latency bounds.

Keywords- Single precision, Binary Division, Long Division, Vedic, Virtex, FPGA, IEEE-754.

I. INTRODUCTION

The term floating point implicates that there is no fixed number of digits before and after the decimal point; i.e. the decimal point can float. Floating-point representations are slower and less accurate than fixed-point representations, but can handle a larger range of numbers. Because mathematics with floating-point numbers requires a great deal of computing power, many microprocessors come with a chip, called a floating point unit (FPU), specialized for performing floating-point arithmetic. FPUs are also called math coprocessors and numeric coprocessors. Floating-point representation has a complex encoding scheme with three basic components: mantissa, exponent and sign. Usage of binary numeration and powers of 2 resulted in floating point numbers being represented as single precision (32-bit) and double precision (64-bit) floating-point numbers. Both single and double precision numbers as illustrated in Fig. 1 are defined by the IEEE 754 standard.

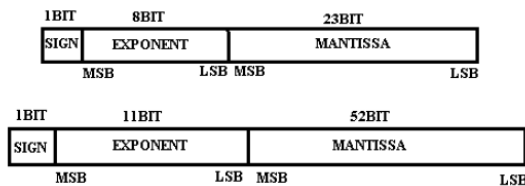


Fig. 1 IEEE-754 Floating-point Representation Standards

For a single precision format, 8-bits are reserved for exponent thereby having a bias value of +127 and 23 bits are reserved for mantissa.

When sign bit is 1, it indicates negative number and when it is 0, it argues as a positive number.

The similar explanation is extended for double precision format where exponents are biased to +1023. Binary division operation is of much significance in the area of hardware implementation

of signal processing, high quality graphics rendering, filter applications, etc. It is the most important goal of a designer to enhance the performance of the ALU thereby reducing its design complexity to have better figure of merit. Many algorithms were proposed and implemented to reduce the latency of binary division. In algorithmic and structural levels, a lot of division techniques had been developed to reduce the latency of the divider circuitry; which reduces the iteration aiming to reduction of latency but the principle behind division was same in all cases.

Vedic math is known to more optimised and efficient than algorithms based on conventional logic. The sutras defined can be used in digital design to improve the performance of ALUs based on conventional logic. Nikhilam Navatashcaramam Dashatah Sutra and the Paravartya Sutra deals with the division. These sutras find its limitations when number of bits are increased as this paper deals with IEEE-754 floating-point representation.

II. VARIOUS DIVISION ALGORITHMS

Researchers have proposed many algorithms and procedural architectures to carry out division in order to reduce the computational time and thus enhancing the performance.

A. Restoring Division

Restoring division operates on fixed-point fractional numbers and depends on the following assumptions: (a) $D < N$ and (b) $0 < N, D < 1$. The quotient digits q are formed from the digit set $\{0, 1\}$. The basic algorithm for binary (radix 2) restoring division is:

To compute a/b , put a in register A, b in register B and 0 in register P.

1. Shift the register pair (P, A) one bit left.
2. Subtract the content of Register B from register P.
3. If the result of step 2 is negative, set the A_0 to 0, otherwise to 1.

4. If the result of step 2 is negative, restore the old value of P by adding the contents of register B back into P.

After repeating the algorithm, n times, register A will have quotient and register P with remainder.

B. Non-Restoring Division

Non-restoring division uses the digit set $\{-1, 1\}$ for the quotient digits instead of $\{0, 1\}$. The basic algorithm for binary (radix 2) non-restoring division is:

If P is negative,

- 1a. Shift (P,A) one bit left.
- 2a. Add the content of register B to P.

else

- 1b. Shift (P,A) one bit left.
- 2b. Subtract the contents of register B from

P.

3. If P is negative, set the low-order bit of A to 0, otherwise set it to 1.

Repeat the above procedure n times. After n cycles, register A will have the quotient and if P is positive, it is the remainder, otherwise it has to be restored (add B to it) to get the remainder.

C. SRT Division

Named for its creators (Sweeney, Robertson, and Tocher), SRT division is a popular method for division in many microprocessor implementations. SRT division is similar to non-restoring division, but it uses a lookup table based on the dividend and the divisor to determine each quotient digit. The basic algorithm for binary (radix 2) non-restoring division is:

1. Load a and b into A and B registers (Figure A.2)
2. If B has k leading zero, shift B and (P,A) left k bits
3. For $l=0, n-1$,
 - a) If top 3 bits of P are equal, set $q_l=0$ and shift (P,A) one bit left.
 - b) If top 3 bits of P are not equal and P is negative, set $q_l=-1$ (write as $\bar{1}$) shift (P,A) one bit left, add B.
 - c) Otherwise, set $q_l=1$, shift (P,A) one bit left, sub B.
4. If final remainder is negative, correct the remainder by adding B; correct the quotient by subtracting 1 from q_0 .
5. Shift remainder k bits right.

D. Vedic Architecture: Nikhilam Sutra

Vedic Sutra, Nikhilam can be further extended to carry out Binary Division as an alternative to conventional algorithm. Assume that, A and B are dividend and divisor respectively. Dividend is n-bits wide. The flowchart diagram can be executed as follows:

- a) Initialize the incrementer with '0'.

- b) Determine the complement B with respect to 2n assume the complemented result is equal to B'.
- c) Add B' with A. If the carry is '1', then feed the result to the adder.
- d) Increment the content of the incrementer by one.
- e) Repeat step-3 until the result is less than B.
- f) The final result of the incrementer is the quotient and result from the adder is the remainder.

III. PROPOSED DIVISION ALGORITHM

This paper deals with the efficient algorithm which incorporates the positive attributes of the division architectures mentioned. The division algorithm find its limitations with the wide increase in the number of bits as this paper deals with the floating point representation where mantissa of dividend and divisor are each 23-bit wide.

The basic algorithm for the proposed design as follows:

First and foremost, the sign-bit of result is obtained by performing logical XOR of sign bits of dividend and divisor. The Exponent is evaluated by subtracting 8-bit exponent of divisor from 8-bit dividend and then adding the bias value (+127). Lastly, 23-bit mantissa of the result is computed using division logic for which stepwise procedure enlisted below.

1. Pad leading zeroes before the dividend making its width, double the width of mantissa.
2. Pad a leading zero before a divisor and trailing zeroes after the divisor making its width, double the width of mantissa.
3. Perform subtraction of dividend and divisor.
4. If the difference is negative Put 0 in the quotient else 1.
5. Right Shift divisor
6. Left Shift quotient

Fig. 2 shows the example based on proposed algorithm where a decimal number 12 is divided by decimal number 3. Architectural block diagram of the proposed design is shown in Fig. 3.

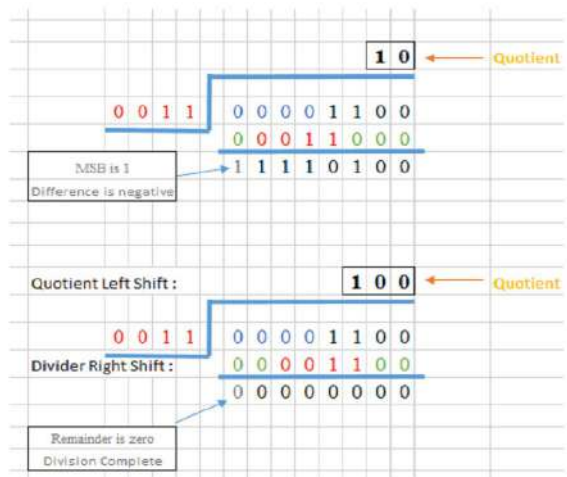


Fig. 2 Floating point Vedic Divider Illustration
12 divided by 3

IV. DESIGN IMPLEMENTATION

Verilog HDL code for Division of IEEE-754 Single Precision Numbers is being developed and then is simulated using ModelSim SE Plus 6.5. Verilog HDL code was break down into modules which deals with the division of 23-bit dividend and 23-bit divisor. code is also written for exponent addition and normalisation process. Top module connects all of them as shown in Fig. 4. Various sets of inputs are fed to the top modular block to get the results. The further part of the document deals with simulation and synthesis results.

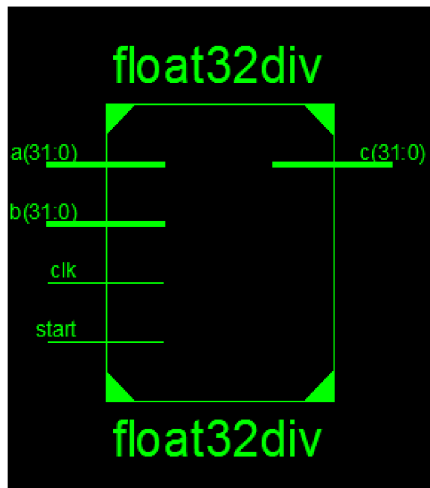


Fig. 4 Single Precision Vedic Divider: Block Diagram

A. ModelSim Simulation

Consider division of two decimal numbers, 73.68 and 73.68 fed as $A = 73.68$ (0 10000101 00100110101110000101001) and $B = 73.68$ (0 10000101 00100110101110000101001) were fed to the algorithm to get the desired output as $C = 1$ (0 01111111 000000000000000000000000) as shown in Fig. 5.

B. Xilinx ISE Synthesis

Verilog HDL Code for division of IEEE-754 Single Precision (32-bit) numbers are then synthesized for device XC5VLX30 having package as FF324 of VirtexTM-5 FPGA family. From the datasheet cited in, this device has following attributes manifests in Table I.

TABLE I
XILINX VIRTEXTM-5 XC5VLX30 ATTRIBUTES

Device	CLB Array (One CLB = Four Slices × 2)			Total Slices	Max. User I/O
	Rows	Column	Total		
xc5vlx30	80	30	4800	19,200	220

Table II shows the Device Utilisation Summary of the Verilog HDL code, so written, it is been observed that number of device parameters used are very less. Hence, an optimum Device Utilisation is obtained.

From the timing report obtained, it is found that the maximum combinational path delay is 5.405 ns. Maximum combinational path delay is only for paths that start at an input to the design and go to an output of the design without being clocked along the way. Also, it is estimated that it can operate with the maximum frequency of 326.163 MHz.

V. PERFORMANCE ANALYSIS: VEDIC VERSUS CONVENTIONAL

It can be easily deduced from the Table III which shows the performance analysis of the Vedic divider with that of conventional dividers that Vedic dividers are more optimistic.

TABLE II
FLOATING POINT VEDIC DIVISION (SINGLE PRECISION):

Device Utilization Summary			
Slice Logic Utilization	Used	Available	Utilization
Number of Slice Registers	120	19,200	1%
Number used as Flip Flops	120		
Number of Slice LUTs	159	19,200	1%
Number used as logic	159	19,200	1%
Number using O6 output only	155		
Number using O5 and O6	4		
Number of occupied Slices	54	4,800	1%
Number of LUT Flip Flop pairs used	182		
Number with an unused Flip Flop	62	182	34%
Number with an unused LUT	23	182	12%
Number of fully used LUT-FF pairs	97	182	53%
Number of unique control sets	2		
Number of slice register sites lost to control set restrictions	4	19,200	1%
Number of bonded IOBs	98	220	44%
Number of BUFG/BUFGCTRLs	1	32	3%
Number used as BUFPGs	1		
Average Fanout of Non-Clock Nets	2.37		

TABLE III
PERFORMANCE ANALYSIS:
PROPOSED WORK (VEDIC) VERSUS
CONVENTIONAL

Parameters	This Work	[6]	[9]	
Number of bits	23	9	M	
Target Device	Virtex 5 XC5VLX30 -3 FF324	Spartan 3 XC3S100E -5 VQ100	Spartan 3E XC3S500E	
Number of Slices	54	103	Restoring 229	Non - Restoring 447
Number of 4-input LUTs	159	176	---	---
Number of IOBs	98	38	---	---
Maximum Frequency (MHz)	326.163	---	12.63	53.77

Number of slice LUTs used in the design are pretty less, 159 whereas other algorithms based dividers are normally hooked to 176. Also one can visualize that this proposed divider is just consuming 54 number of slices compared to other algorithms which utilize minimum of 103 to 447 number of slices. Thus, there is near about 12% improvement in the utilisation of

the resources, thereby enhancing the packaging density. This proposed design can be operated on the processor clocked with 326.16 MHz, Thus, computational speed is more as compared to other design which operates with maximum frequency of 53.77 MHz. The maximum combinational delay incurred is just a meagre value of 5.405 nanoseconds. Power consumption of proposed design is drastically reduced to 2 mW, whereas traditional ALUs are consuming more power. Since, proposed design consumes less power, so bulky heat-sinks or extensive blowers can be eliminated. This makes the installation of processor simple and can be equipped with portable or mobile devices.

CONCLUSION

The importance and usefulness of floating point format nowadays does not allow any discussion. Any computer or electronic device, which operates with real numbers, implements this type of representation and operation. Division is one of the most important arithmetic operation. Various architectures were proposed which include recursive iterations to increase the computational performance of the ALU. The proposed design uses ancient Math technique which pad zeroes for dividend. By means of logical shift, the estimated results were obtained. Synthesis results obtained provides better results in terms of computational speed and area utilization thereby reducing the size of silicon dye used. Also reduces the size and cost of the device. Moreover, less time delay incurred leads to fast computation and speedy calculations. Power dissipation has been reduced, which can eliminate the need of extensive cooling

mechanism comprising thermal gels and blowers. Thus, proposed divider is more efficient than traditional ALUs and serve as better optimisation technique as per today’s need and wants.

REFERENCES

- [1] Alex N. D. Zamfirescu, “Floating Point Type for Synthesis”, CA USA, 2000.
- [2] Prabir Saha, Arindam Banerjee, Partha Bhattacharya, Anup Dandapat, “Vedic Divider: Novel Architecture (ASIC) for High Speed VLSI Applications” in International Symposium on Electronic System Design, pp. 67-71, Oct. 2011.
- [3] Deepa and Sanal's (2005) Vedic Mathematics [Online]. Available: <http://www.sanalnair.org/articles/vedmath/intro.htm>
- [4] Diganta Sengupta, Mahamuda Sultana, Atal Chaudhuri, “A New Paradigm in Fast BCD Division using Ancient Indian Vedicmathematics Sutras” pp. 11-19, 2013.
- [5] Sherif Galal, Dung Pham, “Division Algorithms and Hardware Implementations” in EE 213A: Advance DSP Circuit Design, 2000.
- [6] Sukhmeet Kaur, Suman, Manpreet Singh Manna, Rajeev Agarwal, “VHDL Implementation of Non Restoring Division Algorithm using High Speed Adder/Subtractor” in International Journal of Advanced Research in Electrical, Electronics and Instrumentation Engineering” Vol. 2, Issue 7, pp. 3317-3324, July 2013.
- [7] R. Tamil Chelvan and S. Roobini Priya, “Implementation of Fixed and Floating Point Division using Dhvanjanka Sutra” in International Journal of VLSI and Embedded Systems, pp. 234-237, Apr. 2013.
- [8] Virtex-5 Family Overview datasheet, Xilinx 2009.
- [9] Bojan Jovanovic, Milun Jevtic, “FPGA Implementation of Throughput Increasing Techniques of the Binary Dividers” in International Scientific Conference, Gabrovo, Nov. 2010.

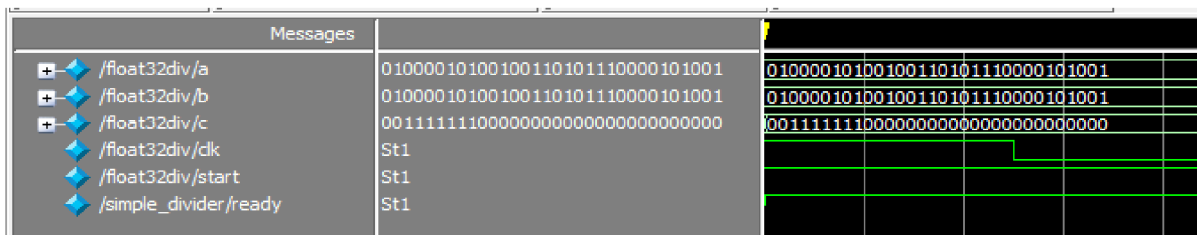
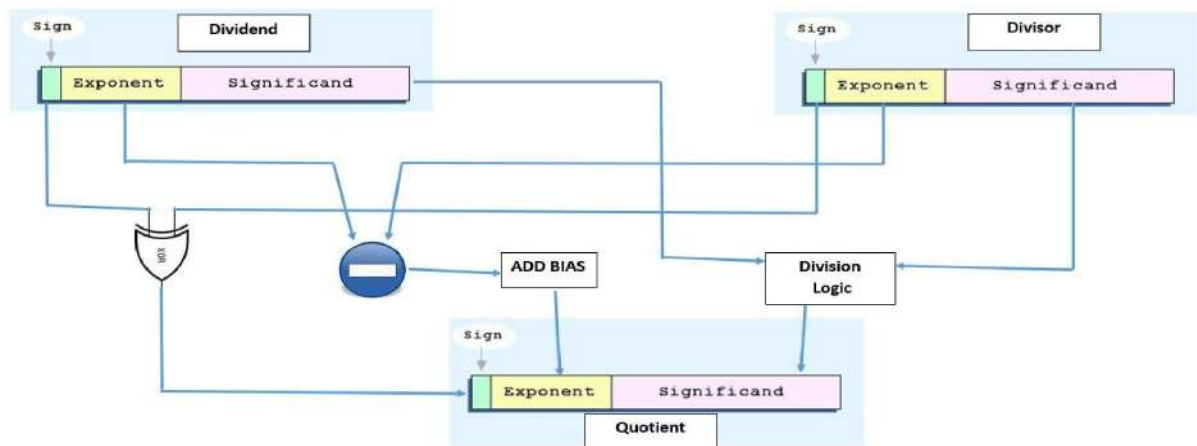


Fig. 5 Floating Point Vedic Division (Single Precision): Timing Diagram $73.68 \div 73.68 = 1$



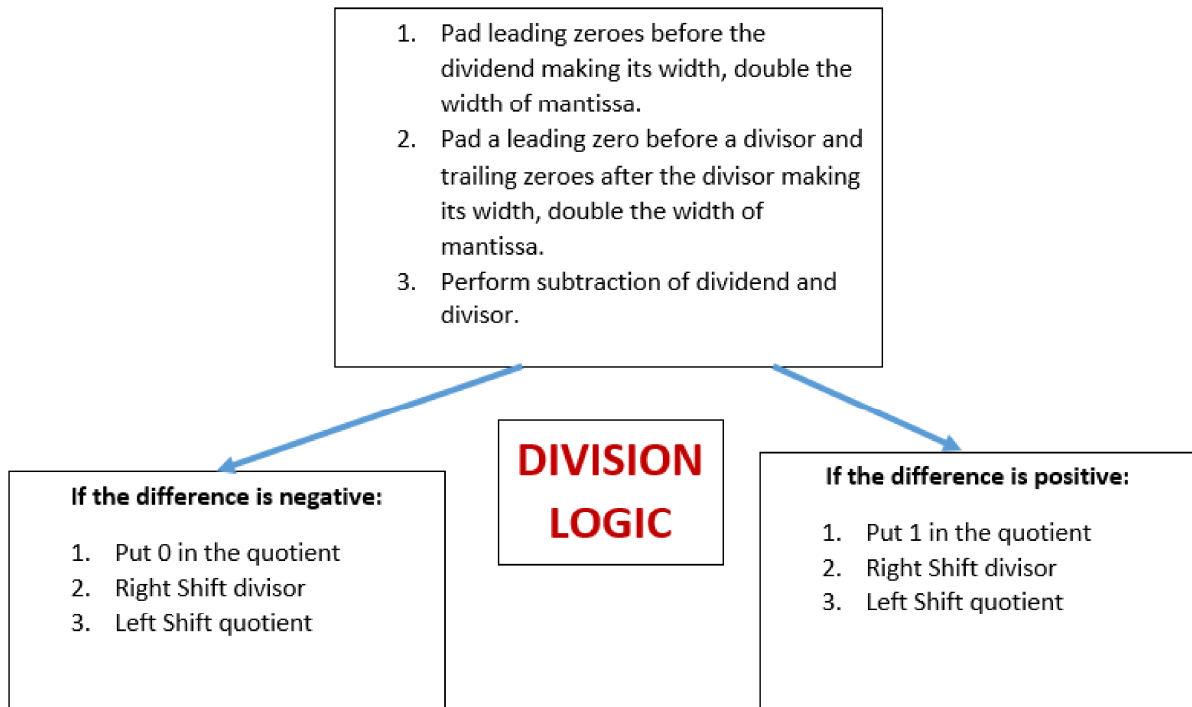


Fig. 3 Floating Point Vedic Division: Architectural Block Diagram

★★★

See all >
[20 References](#)

[Download citation](#) [Share](#) ▼

[Request full-text](#)

An ANN-Based Detection of Obstructive Sleep Apnea from Simultaneous ECG and SpO2 Recordings

Chapter · January 2019 *with* 59 Reads ⓘ

DOI: [10.1007/978-3-030-00665-5_60](#)

In book: Proceedings of the International Conference on ISMAC in Computational Vision and Bio-Engineering 2018 (ISMAC-CVB), pp.603-613

[Cite this publication](#)



Meghna Punjabi



Sapna Prabhu

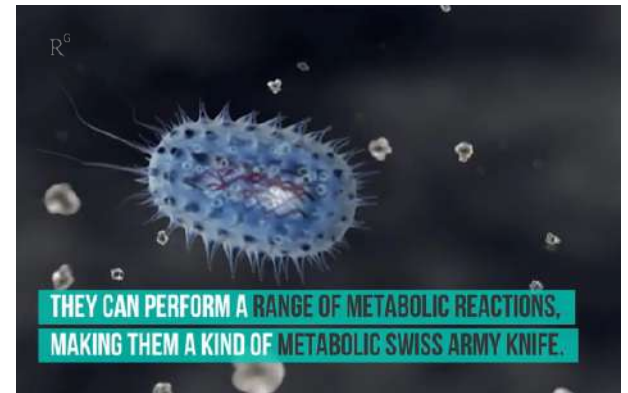
PhD 2.75 · Fr. Conceicao Rodrigues College of Engineering

Abstract

Obstructive sleep apnea (OSA) is one of the most common sleep disorders characterized by a disruption of breathing during sleep. This disease, though common, goes undiagnosed in most cases because of the inconvenience, cost, and/or unavailability of opting for polysomnography (PSG) and a sleep analyst. Many researchers are working on devising an unsupervised, cost-effective, and convenient OSA detection methods which will aid the timely diagnosis of this sleep disorder. Commonly used signals to detect OSA are ECG, EEG, pulse oximetry (SpO2), blood oxygen saturation (SaO2), and heart rate variability (HRV). In this work, an attempt to detect the OSA using simultaneously acquired ECG and SpO2 signals has been presented. Various features from the RR intervals of ECG, and a couple of features—namely, CT90 and delta index—from the SpO2, were extracted as indicators of OSA. The features were then fed to a trained artificial neural network (ANN) which classified the signals as OSA positive or OSA negative. The proposed technique boasts a very high accuracy of 98.3%, which is superior to other competing techniques reported so far.

FEATURED VIDEOS

Powered



Purple bacteria can turn human waste into clear

A significant downside to wastewater treatment plants is their carbon footprint. Now, researchers have found a way to reduce carbon emissions from sewage and produce hydrogen energy at the same time. Purple phototrophic bacteria use infrared light as the energy source for their metabolism. They can perform a range of metabolic... [Go To](#)

Do you want to **read the rest** of this chapter?

Institutional Sign In

Browse

My Settings

Get Help

Subscribe

Advertisement

Advertisement

Conferences > 2015 International Conference...

Frequency estimator to improve short range accuracy in FMCW radar

Publisher: IEEE

3 Author(s) Anuja Chaudhari ; Sapna Prabhu ; Raymond Pinto [View All Authors](#)

3 Paper Citations

1 Patent Citation

437 Full Text Views

Export to Collabratec

Alerts

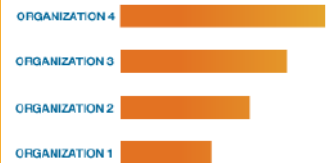
- Manage Content Alerts
- Add to Citation Alerts

More Like This

- Underwater acoustic distance measurement using fast fourier transform overlap
2017 IEEE 7th International Conference on Underwater System Technology: Theory and Applications (USYS)
Published: 2017
- An Efficient Query-by-Singing/Humming System Based on Fast Fourier Transforms of Note Sequences
2012 IEEE International Conference on Multimedia and Expo
Published: 2012

[View More](#)

Top Organizations with Patents on Technologies Mentioned in This Article



Advertisement

Abstract

Document Sections

- I. Introduction
- II. Fmcw Radar System
- III. Frequency Estimator
- IV. Matlab Results
- V. Conclusion

Download PDF

Abstract: Frequency Modulated Continuous Wave (FMCW) radars have been widely used for short and medium range detection. Applications of FMCW radar, where measuring short distances ... [View more](#)

Metadata

Abstract: Frequency Modulated Continuous Wave (FMCW) radars have been widely used for short and medium range detection. Applications of FMCW radar, where measuring short distances is critical, need to have a high accuracy. In the FMCW radar systems, the received signal is a delayed version of the transmitted signal. The range is calculated by measuring the beat frequency of the received signal. The range resolution of radar is inversely proportional to the transmitting bandwidth of the radar. In order to achieve a better range resolution we need to increase the bandwidth, which has its own limitations. To increase the bin resolution of FFT of the beat signal, the sampling frequency must be increased which increases the system complexity. A frequency estimator is implemented to enhance the accuracy of short range detection in FMCW radar without increasing the bandwidth or sampling frequency of the system. It compensates the error by calculating an offset value to provide fine beat frequency.

Published in: 2015 International Conference on Advances in Computing, Communications and Informatics (ICACCI)

Date of Conference: 10-13 Aug. 2015 **INSPEC Accession Number:** 15487177

Date Added to IEEE Xplore: 28 September 2015 **DOI:** 10.1109/ICACCI.2015.7275682

Publisher: IEEE

Authors

Figures

References

Citations

Keywords

Metrics

More Like This

Institutional Sign In

Browse

My Settings

Get Help

Subscribe

Advertisement

Contact Us
Resources and Help

Advertisement

Conferences > 2014 Annual IEEE India Confer...

Improving the scalability of shared cache multi-core systems

Publisher: IEEE

2 Author(s) Sapna Prabhu ; R.D. Daruwala [View All Authors](#)

74
Full
Text Views

Export to

Collabratec

Alerts

- Manage Content Alerts
- Add to Citation Alerts

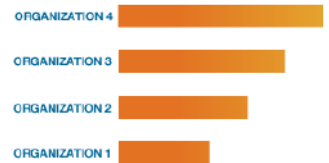
More Like This

Fast and fair mutual exclusion for shared memory systems
 Proceedings. 19th IEEE International Conference on Distributed Computing Systems (Cat. No.99CB37003)
 Published: 1999

Using simple page placement policies to reduce the cost of cache fills in coherent shared-memory systems
 Proceedings of 9th International Parallel Processing Symposium
 Published: 1995

[View More](#)

Top Organizations with Patents on Technologies Mentioned in This Article



Advertisement

Abstract

Document Sections

- I. Introduction
- II. Related Work
- III. Preliminaries
- IV. Scalability
- V. Results

Authors

Figures

References

Keywords

Metrics

More Like This

Downl
PDF

Abstract: Resource sharing in multi-core processors leads to performance variability due to cross-core interference between the cores. To minimize the effects of cross-core interference... [View more](#)

Metadata

Abstract: Resource sharing in multi-core processors leads to performance variability due to cross-core interference between the cores. To minimize the effects of cross-core interference, dynamic cache partitioning can be applied at run-time. Cache partitioning can be applied to improve the utilization of the shared cache. However, this scheme must be scalable as the number of cores increases. The Lotka-Volterra competition model is a popular model in biology which models population growth based on species' interactions. This paper uses a mathematical model of the shared-cache multi-core processor based on the Lotka-Volterra (LV) competition model and investigates the effectiveness of the dynamic cache partitioning scheme as the number of cores sharing the cache increase. Based on the results of the investigations, the paper proposes an improved cache topology which increases the overall system throughput with partitioning.

Published in: 2014 Annual IEEE India Conference (INDICON)

Date of Conference: 11-13 Dec. 2014 **INSPEC Accession Number:** 14904040

Date Added to IEEE Xplore: 05 February 2015 **DOI:** 10.1109/INDICON.2014.7030574

ISBN Information:

Publisher: IEEE

ISSN Information:

Conference Location: Pune, India

Institutional Sign In

Browse

My Settings

Get Help

Subscribe

Advertisement

Advertisement

Conferences > 2014 International Conference...

Workload Characterization for shared resource management in multi-core systems

Publisher: IEEE

2 Author(s)

Sapna Prabhu ; Rohin Daruwala [View All Authors](#)

1 Paper Citation

76 Full Text Views

Export to

Collabratec

Alerts

- Manage Content Alerts
- Add to Citation Alerts

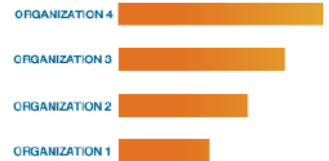
More Like This

A Combination of Modified Particle Swarm Optimization Algorithm and Support Vector Machine for Pattern Classification
2009 Third International Symposium on Intelligent Information Technology Application
Published: 2009

A framework for parallel simulation application performance evaluation and optimization
2011 International Conference on Multimedia Technology
Published: 2011

[View More](#)

Top Organizations with Patents on Technologies Mentioned in This Article



Advertisement

Abstract

Document Sections

- I. Introduction
- II. Workload Characterization
- III. Related Work
- IV. Proposed Classification Scheme
- V. Dynamic Cache Partitioning

Download PDF

Abstract: The multi-core industry is facing a number of challenges which need to be addressed to achieve optimal performance from the multiple cores. One of the dominant causes of ... [View more](#)

Metadata

Abstract: The multi-core industry is facing a number of challenges which need to be addressed to achieve optimal performance from the multiple cores. One of the dominant causes of performance degradation that arises in multi-core processors is due to hardware resource sharing between cores. The degradation in performance is largely dependent on the nature of the applications. To minimize this degradation, application characteristics need to be analyzed and based on this, a solution can be devised to reduce degradation. This paper aims at presenting a consolidated survey of present classification schemes and propose a new classification scheme which can be applied on-line. Also, using this scheme, a dynamic cache partitioning mechanism has been proposed. The experimentation has been conducted by constructing workloads using the SPECCPU 2006 benchmark suite and experimentation has been conducted on SIMICS (full system simulator).

Published in: 2014 International Conference on Advances in Computing, Communications and Informatics (ICACCI)

Date of Conference: 24-27 Sept. 2014 **INSPEC Accession Number:** 14779344

Date Added to IEEE Xplore: 01 December 2014 **DOI:** 10.1109/ICACCI.2014.6968243

Publisher: IEEE

Authors

Figures

References

Citations

Keywords

Metrics

More Like This

Institutional Sign In

Browse

My Settings

Get Help

Subscribe

Advertisement

Advertisement

Conferences > TENCON 2018 - 2018 IEEE Regio...

Compressive Sensing in Channel Estimation for SISO and MIMO OFDM Systems

Publisher: IEEE

2 Author(s) Ami Munshi ; Srija Unnikrishnan View All Authors

180 Full Text Views

Export to Collabratec

Alerts

- Manage Content Alerts
- Add to Citation Alerts

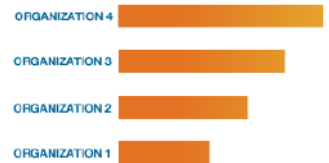
More Like This

Linear Prediction Based Semi-Blind Channel Estimation for MIMO-OFDM System
 2007 IEEE International Symposium on Circuits and Systems
 Published: 2007

An Improved LS Time Domain Channel Estimation Algorithm Based on MIMO-OFDM System
 2009 International Conference on Networks Security, Wireless Communications and Trusted Computing
 Published: 2009

View More

Top Organizations with Patents on Technologies Mentioned in This Article



Advertisement

Abstract

Document Sections

- I. Introduction
- II. Channel Estimation in MIMO OFDM System with compressive Sensing
- III. Hybrid channel estimation algorithm using Compressive Sensing
- IV. SIMULATION RESULTS
- V. CONCLUSION

Download PDF

Abstract: In this paper, we have explored the effectiveness of compressive sensing (CS) for channel estimation in SISO and MIMO OFDM system. We have developed a hybrid LS-CS estima... [View more](#)

Metadata

Abstract: In this paper, we have explored the effectiveness of compressive sensing (CS) for channel estimation in SISO and MIMO OFDM system. We have developed a hybrid LS-CS estimation technique. On comparing this technique with Least Square (LS) estimation, we infer that by sensing only few channel coefficients, the transmitted data can be estimated from the received data when hybrid LS-CS estimation technique is implemented. By sensing lesser percentage of total channel coefficients in hybrid LS-CS estimation, BER obtained in SISO OFDM scenario is less at a particular SNR, while in case of MIMO OFDM it is comparable to LS estimation. Another significant observation made is that if the channel is sparser, then the hybrid LS-CS estimation technique yields superior results.

Published in: TENCON 2018 - 2018 IEEE Region 10 Conference

Date of Conference: 28-31 Oct. 2018 **INSPEC Accession Number:** 18487667

Date Added to IEEE Xplore: 25 February 2019 **DOI:** 10.1109/TENCON.2018.8650423

Publisher: IEEE

ISBN Information:

Conference Location: Jeju, Korea (South), Korea (South)

ISSN Information:

Authors

Figures

References

Keywords

Metrics

International Conference on Electrical,
Communication, Electronics, Instrumentation and Computing
(ICECEIC) - 2019

30th & 31st January- 2019

Conference Proceedings by

IEEE Xplore[®]
Digital Library

Organized by

**Sri Chandrasekharendra Saraswathi
Viswa Mahavidyalaya**

Sri Jayendra Saraswathi Street, Enathur,
Kanchipuram, Tamil Nadu, India - 631 561.

ISBN: CEPr9R88-PRT 978-1-7281-0173-6



Supported by



CSTPLI

Institutional Sign In

Browse

My Settings

Get Help

Subscribe

Advertisement

Advertisement

Conferences > 2017 International Conference...

Reduced power consumption in wireless sensor networks using queue based approach

Publisher: IEEE

2 Author(s)

Sanjeev Ghosh ; Srija Unnikrishnan [View All Authors](#)

139 Full Text Views

Export to

Collabratec

Alerts

- Manage Content Alerts
- Add to Citation Alerts

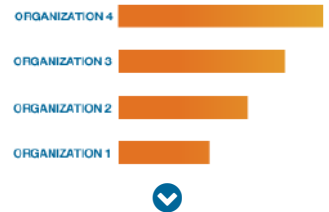
More Like This

Modelling and analysis of convergence of wireless sensor network and passive optical network using queueing theory
 2011 IEEE 7th International Conference on Wireless and Mobile Computing, Networking and Communications (WiMob)
 Published: 2011

Evaluation of the Task Communication Performance in Wireless Sensor Networks: A Queue Theory Approach
 2013 IEEE International Conference on Green Computing and Communications and IEEE Internet of Things and IEEE Cyber, Physical and Social Computing
 Published: 2013

[View More](#)

Top Organizations with Patents on Technologies Mentioned in This Article



Advertisement

Abstract

Document Sections

- I. Introduction
- II. System Model
- III. Analysis and Simulation
- IV. Results
- V. Conclusion

Download PDF

Abstract: Technological advancements in low power integrated circuits and wireless communications have made it possible to use efficient, low cost, low power small devices in remot... [View more](#)

Metadata

Abstract: Technological advancements in low power integrated circuits and wireless communications have made it possible to use efficient, low cost, low power small devices in remote sensing applications. This has led to the feasibility of using a network of sensors to be used for the collection, processing, analysis and distribution of important information, collected in a wide variety of environments. Sensor nodes in a wireless sensor network transmit data in single or multi-hop to a central node called the base station. A very important issue in wireless sensor networks is the scarcity of power and hence optimal use of available power is of prime importance. It is seen that in any sensor node, switching from idle to busy state and vice versa takes up a major portion of the power. We study and analyze a technique that aims to reduce the number of these in order to reduce the consumption of power. In this technique the radio of the sensor node is switched on only when the number of packets in a queue exceed a certain threshold as opposed to the general tendency of transmitting a packet as soon as it is available for transmission. We analyze the performance of this system with respect to the power consumption. The simulations performed show that the simulation results are close to the theoretical results thus indicating the validity of the technique studied.

Published in: 2017 International Conference on Advances in Computing, Communication and Control (ICAC3)



Vehicle to Vehicle Communication Using DS-CDMA Radar ★

Ami Munshi ^a, Srija Unnikrishnan ^b

Show more

<https://doi.org/10.1016/j.procs.2015.04.249>

[Get rights and content](#)

Under a Creative Commons [license](#)

[open access](#)

Abstract

Tremendous amount of research is going on in the area of Intelligent Transport System. The automotive companies like General Motors, Toyota, Mercedes etc have announced launch of high end vehicles with inbuilt V2X(Vehicle to infrastructure/Vehicle) systems. In this paper we have proposed a scheme to implement vehicle to vehicle communication using Direct Sequence Spread Spectrum Code Division Multiple Access radar (DS-CDMA). The system is capable of performing ranging as well as communication with multiple targets.



Previous

Next



Keywords

V2X communication; Spread Spectrum; CDMA; Intelligent Transport Systems

Institutional Sign In

Browse

My Settings

Get Help

Subscribe

Advertisement

Contact Us
Resources and Help

Advertisement

Conferences > 2017 International Conference...

A modified block code using controllability of linear system

Publisher: IEEE

3 Author(s) Seema Talmale ; Srija Unnikrishnan ; B.K. Lande [View All Authors](#)

35
Full
Text Views

Export to
Collabratec

Alerts

- Manage
- Content Alerts
- Add to Citation
- Alerts

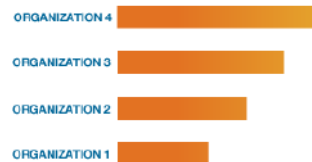
More Like This

Soft-decision redundant residue number system based error correction coding Gateway to 21st Century Communications Village. VTC 1999-Fall. IEEE VTS 50th Vehicular Technology Conference (Cat. No.99CH36324)
Published: 1999

Performance comparison between the use of group signatures and robust error correction codes in wireless multiuser communication systems
IEEE CCECE2002. Canadian Conference on Electrical and Computer Engineering. Conference Proceedings (Cat. No.02CH37373)
Published: 2002

[View More](#)

Top Organizations with Patents on Technologies Mentioned in This Article



Advertisement

Abstract

Document Sections

- I. Introduction
- II. Various Methods of Modification of Code from the Point of View of Coding Theory
- III. Relation Between Solution of Discrete Time State Equation and Error Correcting Codes
- IV. Conclusion

Downl
PDF

Abstract: This article focuses on developing the connection between the solution of Discrete Time State Equation and error correcting codes. A modified block code is proposed from ... [View more](#)

Metadata

Abstract: This article focuses on developing the connection between the solution of Discrete Time State Equation and error correcting codes. A modified block code is proposed from the solution of Discrete time state equation. We also established that for such a generated code, multiple errors can be corrected. The key idea behind generating such a code is dependent on the well-known theory that it is always possible to steer the initial state of the system to the origin at the nth instant of sampling.

Published in: 2017 International Conference on Advances in Computing, Communication and Control (ICAC3)

Date of Conference: 1-2 Dec. 2017 **INSPEC Accession Number:** 17634100

Date Added to IEEE Xplore: 19 March 2018 **DOI:** 10.1109/ICAC3.2017.8318774

Publisher: IEEE

ISBN Information:

Conference Location: Mumbai, India

Authors

References

Keywords

Metrics

More Like This

Advertisement

Institutional Sign In

Browse

My Settings

Get Help

Subscribe

Advertisement

Advertisement

Conferences > 2017 International Conference...

Model for vertical handover decision in vehicular networks

Publisher: IEEE

3 Author(s) Siddharth Goutam ; Srima Unnikrishnan ; Aradhana Goutam [View All Authors](#)

1 Paper Citation 142 Full Text Views

Export to Collabratec

Alerts

- Manage Content Alerts
- Add to Citation Alerts

More Like This

A predictive road traffic management system based on vehicular ad-hoc network
 2014 Australasian Telecommunication Networks and Applications Conference (ATNAC)
 Published: 2014

The Application of BP Neural Network Principal Component Analysis in the Forecasting the Road Traffic Accident
 2009 Second International Conference on Intelligent Computation Technology and Automation
 Published: 2009

[View More](#)

Top Organizations with Patents on Technologies Mentioned in This Article



Advertisement

Abstract

Document Sections

I. Introduction

II. Objectives

III. Overview of Different

Wireless Technologies & vehicular Networks

IV. Design and Implementation

V. Conclusion

Authors

Figures

References

Citations

Keywords

Metrics

More Like This

Downl PDF

Abstract: With financial, business and personal transactions shifting to the mobile domain, Mobile Computing and Wireless Communication technologies are on focus. One of the major ... [View more](#)

Metadata

Abstract: With financial, business and personal transactions shifting to the mobile domain, Mobile Computing and Wireless Communication technologies are on focus. One of the major challenge is to provide best connectivity across heterogeneous networks, in fast moving vehicles, without knowledge and disturbance to the user. An Intelligent system is required for seamless vertical handover, with less battery consumption and with best connectivity. The Vertical Handover process can be optimized for different criteria like cost, bandwidth, signal strength etc. This paper aims to develop a best solution framework for VHO in vehicular networks where OMNeT++ (Objective Modular Network Testbed in C++) can be used for evaluating and testing along with Veins (Vehicles in Network Simulation) software for the simulation of Inter-Vehicular Communication (IVC) framework, which is composed of an event-based network simulator and a road traffic micro simulation model.

Published in: 2017 International Conference on Advances in Computing, Communication and Control (ICAC3)

Date of Conference: 1-2 Dec. 2017

INSPEC Accession Number: 17634119

Date Added to IEEE Xplore: 19 March 2018

DOI: 10.1109/ICAC3.2017.8318791

Publisher: IEEE

ISBN Information:

Conference Location: Mumbai, India

Institutional Sign In

Browse

My Settings

Get Help

Subscribe

Advertisement

Advertisement

Conferences > 2017 International Conference...

Modeling and simulation of MIMO-OFDM systems with classical and Bayesian channel estimation

Publisher: IEEE

2 Author(s) Ami Munshi ; Srija Unnikrishnan View All Authors

1 Paper Citation 160 Full Text Views

Export to

Collabratec

Alerts

Manage Content Alerts

Add to Citation Alerts

More Like This

Bayesian Channel Estimation for Massive MIMO Communications
2016 IEEE 83rd Vehicular Technology Conference (VTC Spring)
Published: 2016

Common Sparsity Based Channel Estimation for FDD Massive MIMO-OFDM Systems via Multitask Bayesian Compressive Sensing
2017 IEEE 86th Vehicular Technology Conference (VTC-Fall)
Published: 2017

View More

Top Organizations with Patents on Technologies Mentioned in This Article



Advertisement

Abstract

Document Sections

- I. Introduction
- II. Designed MIMO OFDM System
- III. Channel Estimation
- IV. Simulation Results
- V. Conclusion

Download PDF

Abstract: In this paper, we have modeled, simulated, analyzed and compared the performance of variants of MIMO OFDM systems under Classical channel estimation scenario and Bayesian... [View more](#)

Metadata

Abstract: In this paper, we have modeled, simulated, analyzed and compared the performance of variants of MIMO OFDM systems under Classical channel estimation scenario and Bayesian channel estimation scenario. We observe that performance of MIMO system under Bayesian channel estimation scenario is slightly better than the Classical channel estimation over a range of signal to noise ratio. However, we observe that the performance of SISO system is the same under both the channel estimation set up.

Published in: 2017 International Conference on Advances in Computing, Communication and Control (ICAC3)

Date of Conference: 1-2 Dec. 2017 **INSPEC Accession Number:** 17634105

Date Added to IEEE Xplore: 19 March 2018 **DOI:** 10.1109/ICAC3.2017.8318789

Publisher: IEEE

ISBN Information:

Conference Location: Mumbai, India

Authors

Figures

References

Citations

Keywords

Metrics

More Like This

Advertisement

Institutional Sign In

Browse

My Settings

Get Help

Subscribe

Advertisement

Advertisement

Conferences > 2017 International Conference...

Simulation of synchronous reference frame PLL for grid synchronization using Simulink

Publisher: IEEE

2 Author(s) Furqan Shaikh ; Binsy Joseph View All Authors

2 Paper Citations 672 Full Text Views

Export to Collabratec

Alerts

- Manage Content Alerts
- Add to Citation Alerts

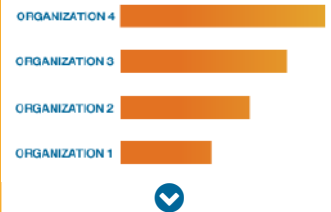
More Like This

Benchmarking of phase locked loop based synchronization techniques for grid-connected inverter systems
 2015 9th International Conference on Power Electronics and ECCE Asia (ICPE-ECCE Asia)
 Published: 2015

Analysis of synchronization algorithm for grid connected photovoltaic modular multilevel converter using positive sequence detector and phase locked loop
 2017 Trends in Industrial Measurement and Automation (TIMA)
 Published: 2017

View More

Top Organizations with Patents on Technologies Mentioned in This Article



Advertisement

Abstract

Document Sections

- I. Introduction
- II. Demands and Standards
- III. Synchronization Techniques
- IV. Simulation
- V. Simulation Results

Downl PDF

Abstract: The important problem in integration of grid and power converter is how to synchronize the inverter with the grid that is one is before connecting an inverter to the grid... [View more](#)

Metadata

Abstract: The important problem in integration of grid and power converter is how to synchronize the inverter with the grid that is one is before connecting an inverter to the grid and other is during operation. The energy transfer between an inverter and grid is improved by proper design of synchronization techniques. The challenges associated with the design is how fast the voltage, phase angle and frequency are estimated and synchronized under ideal and non-ideal conditions. For effective estimation of above quantity, various synchronization methods have been proposed. In this paper, theory of single phase PLL is outlined and design and simulation of Synchronous Reference Frame Phase Locked Loop and the obtained simulation results for various non-ideal conditions like harmonics, voltage dip, phase jump and frequency variations are presented.

Published in: 2017 International Conference on Advances in Computing, Communication and Control (ICAC3)

Date of Conference: 1-2 Dec. 2017 **INSPEC Accession Number:** 17649716

Date Added to IEEE Xplore: 19 March 2018 **DOI:** 10.1109/ICAC3.2017.8318790

Publisher: IEEE

ISBN Information:

Conference Location: Mumbai, India

Authors

Figures

References

Citations

Keywords

Metrics

More Like This

NATIONAL SYMPOSIUM ON INNOVATIONS IN TEACHING - LEARNING PROCESS

UNDERSTANDING SEMICONDUCTOR DEVICE GEOMETRY & CONSTRUCTION WITH 3-D MODELING

Swapnali Makdey^a, Jayen Modi^b, Dr. Deepak Bhoir^c

^{a,b}Assistant Professor, Electronics Engineering Department, Fr. Conceicao Rodrigues College of Engineering, Bandra, Mumbai - 400050, Maharashtra (Affiliated to University of Mumbai)

^cProfessor & Head, Electronics Engineering Department, Fr. Conceicao Rodrigues College of Engineering, Bandra, Mumbai - 400050, Maharashtra (Affiliated to University of Mumbai)

^a - swapnali@frcrce.ac.in, ^b - jayen.modi@frcrce.ac.in, ^c - bhoir@frcrce.ac.in

ABSTRACT

This paper introduces the teaching methodology of constructing 3-D based physical models for understanding the geometry of various semiconductor devices & its associated effects, along with its construction. By using ordinary coloured modeling clay, students constructed 3-D models of different types of semiconductor devices which primarily helped them in understanding the nuances of the device fabrication process for the subject of 'IC Technology'. They were also able to gauge & have a visual understanding of associated short-channel effects in field-effect devices. This exercise conducted during laboratory sessions helped students to understand the device constructional details.

INTRODUCTION

For subjects such as VLSI & IC Technology which are the core contents of an under-graduate electronic engineering course, the study of semiconductor devices is a must. It is imperative to fully understand the device or IC fabrication process, in which several layers are involved. The fabrication process in itself results in an extremely complex device geometry & construction, which is usually difficult for students to understand by simply looking at the plain images or figures in a reference book or on a webpage. 3-D modeling of a particular semiconductor devices helps students to understand how different types of layers are formed during the device fabrication process along with their placement in the structure [1]. Outcome achieved is a better understanding of the device construction & geometry, which in turn greatly influences knowing the device operation with a better understanding of its characteristics [2][3]. The 3-D modeling is also instrumental in understanding various short-channel effects taking place in field-effect devices since students are now in possession of a complete 360° view of the semiconductor device under consideration.



FIG 1: Students demonstrating their constructed model

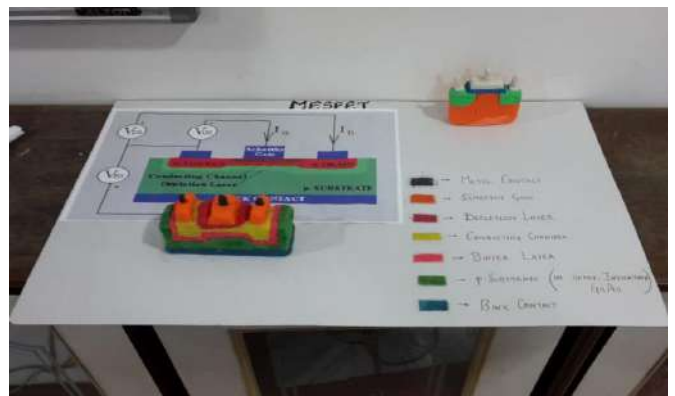


FIG 2: A 3-D model constructed of MESFET device

METHODOLOGY

The whole class was divided into several groups, with each group having minimum of 2 members & maximum of 4 members. The device models to be constructed were then made available to entire groups in open auction format, where each of them had to register for the same. Coloured modeling clay was provided to all the student groups. The group members approached the subject I/Cs for technical doubts. During the actual presentation, a reasonably good effort was seen from almost all the groups in term of creativity, team work, presentation, co-ordination & addressing questions. Rubrics for grading were based on construction, organization, addressing & presentation [3].

RESULTS & DISCUSSIONS

The outright result was a thorough understanding of the semiconductor device geometry & construction in terms of its complexity & characteristics. By using different coloured clay, students familiarized themselves with various colours used for different layers in the semiconductor fabrication process. Discussions carried out where mostly based on the device appearance after the 3-D model was constructed.

RESEARCH FINDINGS

Students were able to relate the semiconductor device shape, size & constructional characteristics with what they actually observed in the reference books. They were also able to understand processes like masking, etching, lithography etc. much better since they constructed the 3-D model in almost the same sequence [4]. Students were able to have an approximate measure about the density & doping levels of various individual p-type & n-type layers by simply observing their geometry. Other findings include improvement between students to work as a team, displaying professionalism, showing sense of responsibility & above all, sharpening their effective communication skills which all contributes to life-long learning.

CONCLUSIONS

Overall it could be concluded that the 3-D semiconductor device modeling activity for the subject of 'IC Technology' familiarized the students thoroughly with the entire layer-based fabrication process. Students also understood device geometry, construction & characteristics which was observed during the viva-voce examination. They were also able to explain some of the short-channel effects occurring in field-effect devices by simply observing 3-D nature of the device. Since it involved a fun-filled & direct participation by all the students, it was informally considered a better medium of instruction by them over the more conventional mode of assignments, quizzes & video lectures showing the IC fabrication process.

REFERENCES

- [1] May & Sze, *Semiconductor Device Fabrication*, 1st edition, John Wiley & Sons, 2003
- [2] Robert Doering, *Semiconductor Device Manufacturing*, 2nd edition, CRC Press, 2010
- [3] Middleman & Stanley, *Process Engineering Analysis in Semiconductor Device Fabrication*, 2nd edition, Abe Books
- [4] Gatzen, Sally & Leuthold, *Micro & Nano Fabrication*, 1st edition, Springer Publishing, 2011

NATIONAL SYMPOSIUM ON INNOVATIONS IN TEACHING - LEARNING PROCESS

TEACHING SMALL SIGNAL (AC) AMPLIFIERS USING BLOOM'S TAXONOMY

Jayen Modi^a, Dr. Deepak Bhoir^b

^aAssistant Professor, Electronics Engineering Department, Fr. Conceicao Rodrigues College of Engineering, Bandra, Mumbai - 400050, Maharashtra (Affiliated to University of Mumbai)

^bProfessor & Head, Electronics Engineering Department, Fr. Conceicao Rodrigues College of Engineering, Bandra, Mumbai - 400050, Maharashtra (Affiliated to University of Mumbai)

^a - jayen.modi@frcrce.ac.in, ^b - bhoir@frcrce.ac.in

ABSTRACT

This paper introduces an innovative teaching methodology for small signal (AC) amplifiers based on Bloom's Taxonomy approach; irrespective of the device used or the biasing circuit or the amplifier configuration. It follows a bottoms-up approach where students are introduced to simple, fundamental concepts which later on lay foundation to construct, design & analyze small signal amplifiers. This technique proved to be extremely beneficial to students as they were able to sketch/draw, describe & later on evaluate DC & AC characteristics of transistor-based amplifiers (BJT/FET/MOSFET).

INTRODUCTION

For subjects such as Electronic Devices & Circuits which are the core contents of an under-graduate electronic engineering course, the study of small signal (AC) amplifiers is a must. It is imperative for the students to fully understand the nuances of small signal amplifiers, their operation & working, DC & AC characteristics apart from being able to analyze & design them. The instructors observed that a vast majority of students faced difficulties in sketching a basic amplifier circuit for a given active device, biasing circuit & configuration. This was compounded due to the fact that transistor-based amplifiers use BJT/FET/MOSFET with each having their own biasing techniques & own operating configurations [1]. Hence the need was felt to introduce the concept over a two-semester course (1 year) course of Electronic Devices & Circuits - I & II in a systematic manner wherein the students could not only understand the fundamental concepts but also build, design & analyze any small signal amplifier configuration [2].

Creating	designing, constructing, inventing, devising...	Creating	Designing small signal amplifiers with respect to the given specifications
Evaluating	hypothesizing, judging, checking, critiquing...	Evaluating	AC analysis & calculation of the small signal parameters (R_i , R_o , A_v & A_i)
Analyzing	organizing, structuring, outlining, integrating...	Analyzing	DC analysis & operating point (Q) for various biasing configurations
Applying	using, implementing...	Applying	Application of different biasing circuits to active devices (BJT/FET/MOSFET)
Understanding	summarizing, inferring, interpreting, comparing...	Understanding	Amplifier models - voltage, current, trans-resistance & trans-conductance
Remembering	recognizing, listing, naming, identifying...	Remembering	Ideal & practical voltage & current source concepts, internal resistance

FIG 1: The Bloom's Taxonomy

FIG 2: Mapping of concepts with Bloom's Taxonomy

	<p>Active Devices</p>	<p>BJT / JFET / MOSFET</p>
	<p>Biasing Circuits</p>	<p>Depend upon selected active device input & output characteristics</p>
	<p>External Interface</p>	<p>Coupling & bypass capacitors, load resistor & AC signal voltage source</p>

FIG 3: Small Signal (AC) BJT Amplifier

FIG 4: Typical Components of Small Signal Amplifier

METHODOLOGY

With reference to Fig. 1 & 2, students were made comfortable with fundamental concepts of mathematical modeling, types of voltage & current sources, dependent & independent sources & then moving on to the biasing circuits [4]. Here the entire small signal (AC) amplifier was dissected into three major parts - the active device, the biasing circuit & the external interface. Students were systematically taught how to draw/sketch, analyze & identify different amplifier configurations based on above points. They were also able to explain & justify the functional use of each & every single component used in the construction & its overall effect on the amplifier's performance [3].

RESULTS & DISCUSSIONS

Classroom discussions were held in which the students were given multiple circuit diagrams from where they were correctly able to identify the device used, the biasing circuit & the amplifier configuration. Using a Bloom's Taxonomy approach, analysis & evaluation of DC & AC parameters was successfully done following the above mentioned steps. The discussion saw whole-hearted participation from the entire class in solving the given problem, often in groups.

RESEARCH FINDINGS

A major research finding was drastic improvement in the students' ability to draw/sketch small signal (AC) amplifiers of any configuration with any active device used & any biasing circuit. This wasn't possible earlier as they struggled with respect to where to start sketching, where to apply the input signal, from which terminal to connect the output signal from, which component is bypassed etc. Bloom's Taxonomy approach made the process more streamlined.

CONCLUSIONS

It can be concluded that using Bloom's Taxonomy approach was highly instrumental in making students understand the construction, working, operation & analysis of small signal (AC) amplifiers. There was sharp increase in the number of students being able to sketch/draw, analyze & evaluate small signal amplifiers for a configuration without any external prompting or help. The earlier dilemma of students unable to recall or remember on how to approach the problem was resolved. By simply breaking the entire module into small 'digestible' pieces, students were made aware of the individual functions of the active device, the biasing circuit & the external interface.

REFERENCES

- [1] Donald A. Neamen, *Electronic Circuit Analysis & Design*, 1st edition, Tata McGraw Hill, New Delhi (2008)
- [2] Boylestad & Nashelsky, *Electronic Devices & Circuit Theory*, 2nd edition, Tata McGraw Hill, New Delhi (2005)
- [3] Thomas Floyd, *Electronic Devices*, 2nd edition, Pearson Education India (2009)
- [4] Muhammad Rashid, *Microelectronic Circuits*, 3rd edition, CRC Press India (2012)

NATIONAL SYMPOSIUM ON INNOVATIONS IN TEACHING - LEARNING PROCESS

POSTER PRESENTATION FOR A PARTICIPATIVE LEARNING EXPERIENCE

Jayen Modi^a, Vaibhav Godbole^b

^{a,b}Assistant Professor, Electronics Engineering Department, Fr. Conceicao Rodrigues College of Engineering, Bandra, Mumbai - 400050, Maharashtra (Affiliated to University of Mumbai)

^a - jayen.modi@frcrce.ac.in, ^b - godbole@frcrce.ac.in

ABSTRACT

The objective of poster presentation activity was to hone students' presentation skills & unleash their creativity by preparing A1/A2 size posters of various discrete topics in which the students would embark upon a self-study culture by presenting & explaining their work through the poster medium in front of the whole class. In this technique students were given the complete liberty to not only explore topics at their own pace, but to also question the topic contents by referring to any other verified alternate means. It gave them a sense of belonging in the course by inculcating freedom of expression rather than being dictated to in monotonous manner, as in traditional approaches.

INTRODUCTION

To impart engineering education in the 21st century to the millennial stakeholder students, it is extremely imperative that a full duplex communication channel be established between the teacher & the student [1]. This is to ensure that the subject topic or module under consideration is not only appreciated, understood & accepted well by the students, but also they also get to be a part of a 'live' process which inculcates a feeling of participation wherein their efforts are taken into account & a feedback is established so that students get an active feeling & satisfaction that they are an integral part of the activity or process [2]. Keeping this in mind, the poster presentation activity was conducted for the module of 'Special Semiconductor Devices' in subject of 'Electronic Devices & Circuits - II' where students were an active & integral part of the teaching-learning process having done their own research, followed up their own homework, designed their own 'curriculum' & presented their own views to the whole class on the subject topic that was allocated to them. The subject teachers assisted them in solving technical queries they faced.

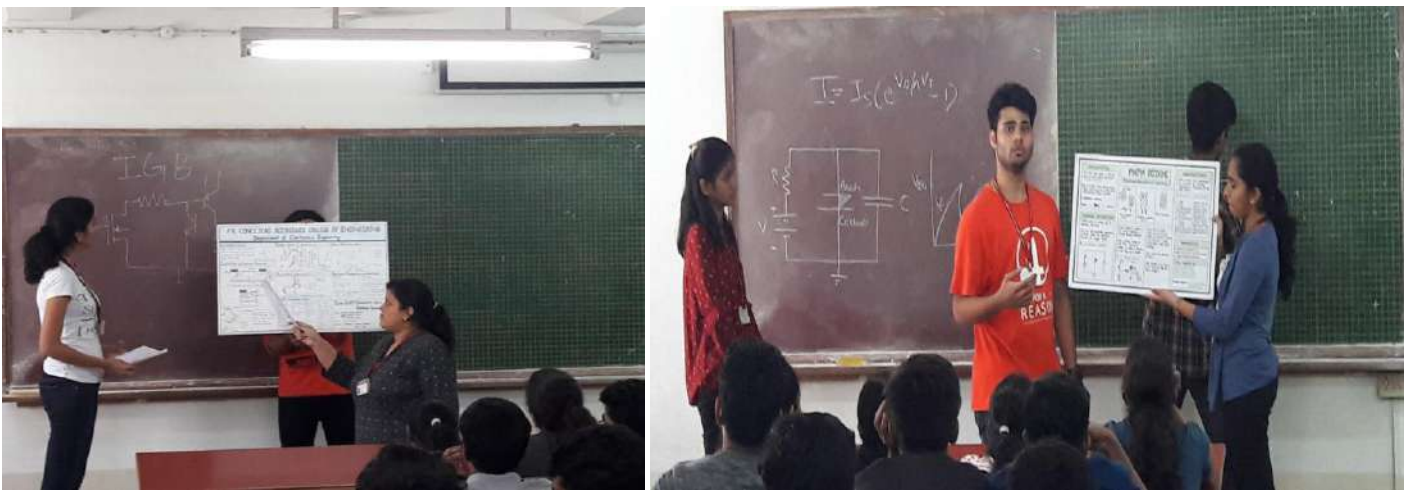


FIG 1: Students engaged in poster presentation activity for participative learning

METHODOLOGY

The whole class was divided into several groups, with each group having minimum of 2 members & maximum of 4 members. The topics were then made available to entire groups in an open auction format, where each of them had to register for the same. Announcement for the same was made well in advance which gave groups almost 2-month time frame to study, plan, prepare & materialize the posters. Few of the group members approached the subject I/Cs for technical doubts. During the actual presentation, a reasonably good effort was seen from almost all the groups in term of creativity, team work, presentation, co-ordination & addressing questions. Rubrics for grading were based on contents, graphics, organization, addressing, mechanics & presentation [3].

RESULTS & DISCUSSIONS

It was observed that the poster presentation activity was a highly successful one as the audience also participated whole-heartedly by paying attention throughout the session & asking a relevant questions or getting their doubts cleared about certain topics perceived to be difficult in course of studies. The entire activity was conducted with proper discipline, decorum & a sense of academic professionalism.

RESEARCH FINDINGS

The first & foremost finding points to the fact that the students enjoyed their whole-hearted participation, maybe buoyed by the fact that they 'achieved' something completely on their own or perhaps contributed at least something, no matter how much significant to the teaching-learning process. Other findings include improvement between the students to work as a team, displaying professionalism, showing sense of responsibility & above all, sharpening their effective communication skills which all contributes to life-long learning.

CONCLUSIONS

The poster presentation activity achieved its goal of being a participative teaching & learning experience wherein students actively took part on & off the stage. Since the overall research about the topic to be presented was initiated by them, they displayed exemplary academic seriousness, showed willingness to adapt to situations during making the poster & also while presenting it & took in several questions directed by the audience; answered back in highly convincing manner. Informally the whole class appreciated the poster presentation activity since they felt they were an active & integral part of the teaching-learning process showing involvement.

REFERENCES

- [1] Sakaran & Presscott, *Poster Presentation Improves Engineering Students' Communication Skills*, International Journal of Education & Practice, 2013, 1(7):75-86
- [2] Blicblau & Steiner, *Fostering Creativity through Engineering Poster Presentation*, International Journal of Engineering Education, Taylor & Francis, 1998
- [3] Nordstrom & Korpelainen, *Creativity & Inspiration for Problem Solving in Engineering Education*, Teaching in Higher Education, Taylor & Francis, 2011

International Conference on Electrical,
Communication, Electronics, Instrumentation and Computing
(ICECEIC) - 2019

30th & 31st January- 2019

Conference Proceedings by

IEEE Xplore[®]
Digital Library

Organized by

**Sri Chandrasekharendra Saraswathi
Viswa Mahavidyalaya**

Sri Jayendra Saraswathi Street, Enathur,
Kanchipuram, Tamil Nadu, India - 631 561.

ISBN: CEPr9R88-PRT 978-1-7281-0173-6



Supported by



CSTPLI

FPGA based RF Signal Generation for MRI Systems

Aditi S Deshpande

Department of Electronics Engineering
Fr. Conceicao Rodrigues College of Engineering, Bandra,
Mumbai - 400050
Email: ylvjoshi@gmail.com

Prof. Kranti Wagle

M. E. (Embedded and Real time Systems)
Fr. Conceicao Rodrigues College of Engineering, Bandra,
Mumbai - 400050
Email: kranti@fragnel.edu.in

Imran Sheikh

Research Scientist, Technology Innovation Division,
SAMEER, Powai, Mumbai - 400076
Email: imran.sheikh.vjti@gmail.com

Dharmesh Verma

Scientist D, Technology Innovation Division, SAMEER,
Powai, Mumbai – 400076
Email: dmverma@yahoo.com

Abstract—RF signal generation is an essential part of magnetic resonance imaging (MRI) system. Many commercial MRI systems are now available. However, they are usually expensive and complex. This paper presents a digital RF transmitter which enables signal modulation in a Magnetic Resonance Imaging (MRI) system. Radio frequency (RF) pulse is generated with the High speed DAC. In this paper, RF generation is done using Zynq board XC7Z020 and further the ZC702 board is interfaced with DAC (Digital to Analog Converter) (AD9122) using SPI (Serial Peripheral Interface) protocol through ACE(Analysis Control Evaluation) software and analog signal is achieved at the output of the DAC board. Compared to the conventional design, by combining field programmable gate array (FPGA) and digital signal processing (DSP) technique the MRI system is built in a digital manner with high performance and accuracy. The system consists of comparatively low expensive and highly-integrated components which make it low-cost and compact. The RF transmitter has been successfully designed and demonstrated by the experimental result.

Keywords—ACE (Analysis Control Evaluation), accuracy, compact, DAC (Digital to Analog Converter), DSP (Digital Signal Processing), FPGA (Field Programmable Gate Array), highly-integrated, high performance, low-cost, low expensive, MRI (Magnetic Resonance Imaging), pulse sequence decoding, RF (Radio Frequency), RF pulse, RF transmitter, signal modulation, SPI (Serial Peripheral Interface), Zynq

I. INTRODUCTION

Magnetic resonance imaging (MRI) is a biomedical technique that uses the body's natural magnetic properties to produce detailed images from any part of the body. For imaging purposes the hydrogen nucleus is mainly used as it is found in abundance in water and fat.[3] The hydrogen proton can be found in similar to the planet earth, which spins on its axis, with a direction in accordance to north-south pole. In this

manner it behaves like a small bar magnet.[3] Under normal circumstances, these hydrogen protons spin in the human body with their axes randomly aligned. When the body is placed in a strong magnetic field, as in case of a MRI scanner, the hydrogen proton's axes align themselves in a straight line.[3] Thus a magnetic vector oriented along the axis of the MRI scanner is created by the uniform alignment of hydrogen protons. MRI scanners are available today in different field strengths, usually between 0.5 and 10 tesla. When additional energy (in the form of a radio frequency wave) is added to the magnetic field, the magnetic vector is deflected.[3] The radio wave frequency (RF) that is dependent on the element sought (hydrogen) and the strength of the magnetic field is the reason that causes the hydrogen nuclei to resonate. The strength of the magnetic field can be varied in an electronic manner starting from head to toe using a series of gradient electric radio frequency coils, and thus different slices of the body will resonate as different frequencies are applied by altering the local magnetic field by these small increments.[3] When the radiofrequency source is switched off the magnetic vector returns to its original rest state, and this causes a signal, in this case a radiofrequency wave to be emitted. It is this signal which is used to create the MR images.[1] Receiver coils are used to act as aerials around the body part to improve the detection of the emitted signal. Thus the cross sectional images are built up by plotting the intensity of the received signal on a grey scale plot.[2] Multiple transmitted radiofrequency pulses can be used in sequence to emphasise particular tissues or abnormalities present in the human body.[2] As different tissues relax at different rates when the transmitted radiofrequency pulse is switched off, different emphasis occurs. Thus time taken for the hydrogen protons to fully relax and attain its original state is measured in two ways. The first is the time taken for the magnetic vector to return to its resting state and the second is the time required for the axial spin of the proton to return to its resting state.[6] The first is called as the T1 relaxation time and the second is called as the T2

relaxation time. An MR examination thus constitutes of a series of pulse sequences. Different tissues (such as fat and water) present in the human body have different relaxation times and thus can be identified separately. By using a “fat suppression” pulse sequence from the group of other pulse sequences, the signal from fat will be removed, leaving behind signal from any abnormalities lying within it.[3] Thus MRI proves to be the most sensitive test for the detection of disease as most diseases manifest themselves by an increase in water content. A careful study of the MR images obtained by a radiologist will often lead to yield the correct expected result. There are no known biological hazards of MRI scanning as, MRI uses radiation in the radio frequency range which is present all around the human body and it does not damage tissue as it passes through unlike other scanning techniques like x-ray and CT scans.[7] Pacemakers, metal clips, and metal valves can be dangerous because of potential movement in MRI scanners within a strong magnetic field. Metal joint prostheses are of a least problem, although some distortion of the image close to the metal may occur. MR imaging departments always go for a safety check for implanted metal and can advise on the same.[6]

II. RF SIGNAL GENERATION

MRI involves the absorption and emission of radio frequency energy by hydrogen nuclei at a specific resonant frequency which is known as the Larmor Frequency. The Larmor frequency scales directly with main static magnetic field strength (B_0) and thus for clinical MRI scanning this frequency lies in the range of tens to hundreds of MHz. These frequencies are a part of the electromagnetic spectrum which are commonly used for radio transmission. This paper mainly focuses on producing an RF pulse using FPGA technology.[14]

A. Larmor Frequency:

Every proton precesses or wobbles, and number of times it precesses is called Larmor or Precessional frequency. The frequency of precession is related to the strength of the magnetic field, B_0 [15] The precessional frequency of nuclei placed in a static magnetic field is calculated from the larmor equation as follow;

$$\omega_0 = \gamma B_0 \quad (1)$$

where ω_0 is the Larmor frequency expressed in MHz, γ is the gyromagnetic ratio of hydrogen proton in MHz/tesla and B_0 is the strength of the static magnetic field having units as Tesla. Thus in this paper, we have to calculate Larmor frequency for a static magnetic field of 1.5T where the gyromagnetic ratio is defined for hydrogen as 42.58MHz/T.

$$\omega_0 = 42.58 \text{ MHz/T} \times 1.5\text{T} \quad (2)$$

$$\omega_0 = 63.87 \text{ MHz} \quad (3)$$

B. RF-Front End:

For MRI, a time-varying RF field, must be first transmitted into the spin system which is commonly referred to as B_1

magnetic field, near the Larmor frequency. In addition to having specific defined frequency, the B_1 field must also be applied perpendicular to the main magnetic field B_0 . Thus by driving electrical currents through specialized RF-transmit coils, the B_1 field is produced.[14] These coils are located either within the inner walls of the scanner or as free-standing devices connected by cables placed on or near the patient. A sophisticated electronic “RF-Front End” is responsible for generating, shaping and modulating the electrical currents required to produce the B_1 field.[6][14]

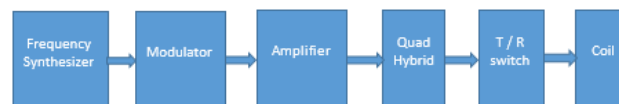


Fig. 1. Block diagram of RF Front-End circuitry.

Frequency Synthesizer produces a continuous sinusoidal carrier wave at or near about the designed Larmor frequency. The Frequency synthesizer utilizes a numerically controlled oscillator (NCO). The output from the synthesizer is further sent to the pulse modulator for shaping. The B_1 fields used in nearly all clinical MR imaging applications are not transmitted as continuous waves, but in short (1–5ms) bursts, called RF-pulses.[14] The contours of each RF pulse are specified using data points, and are therefore of low frequency. The pulse-shape data obtained from the pulse modulator is used to modulate the carrier wave so that the resultant output is a mixture of frequencies centered on the carrier. The high power amplifier that helps in generating large currents are necessary to drive the RF transmit coils.[14] The output of the power amplifier is typically split into two equal parts by means of a quadrature hybrid coupler device. The resultant outputs are 90° out of phase with one another and are used to feed the two ports of the quadrature transmit coils. The two outputs of the coupler are commonly known as I and Q, standing for “in phase” and “quadrature” respectively.[15] The currents in I and Q outputs of the coupler is now headed for the RF-transmitter coils. Additionally, sometimes the same coils are used to both transmit and receive the MR signal. For these coils a special T/R switch is required to isolate the two functions and make sure the powerful electric currents used for transmission do not go into and burn up the sensitive receiver circuitry.[14]

III. DIGITAL TO ANALOG CONVERTER

A. General Description

The AD9122 is a dual data rate, 16-bit wide, digital-to-analog converter (DAC) of high dynamic range that provides a sample rate of 1200 MSPS, which allows for multicarrier generation of up to the Nyquist frequency.[11] The AD9122 TxDAC includes features optimized for direct conversion transmit applications, including complex digital modulation, and gain and offset compensation. The DAC outputs are optimized to interface smoothly and continuously with analog quadrature modulators, such as the ADL537x F-MOD series

modulators.[11] A 4-wire serial port interface available on-chip provides for programming of many internal system parameters. Full-scale output current can be programmed over a range of 8.7 mA to 31.7 mA. The AD9122 comes in a 72-lead LFCSP.[11]

B. Comparison with other existing DACs:

As compared to the other existing DACs, AD9122 works on double data rate allowing to transfer data on both the positive as well as the negative clock cycle. It has a dual digital signal path and dual DAC structure which allows for an easy interface with the quadrature modulators for designing single sideband transmitters.[11] In comparison with the previously available DACs, the speed and performance of AD9122 allows for wider bandwidths and thus more carriers to be synthesized. In addition to this, AD9122 includes a low-power, 32-bit complex numerically controlled oscillator (NCO) that helps in increasing the ease of frequency placement anywhere in the given bandwidth.[11] AD9122 offers features for simplified synchronization with incoming data and as well as with multiple devices. AD9122 evaluation board also comes with the facility of inbuilt auxiliary DACs provided on chip.[11] The auxiliary DACs are used for providing output dc offset compensation and for gain matching. AD9122 communicates with other external devices via serial ports. The serial port is a flexible, synchronous serial communication port which is compatible with SPI protocols. The AD9122 contains 2-channel, 16-bit wide, 8 word deep FIFO designed to relax the timing relationship between the data arriving at the DAC input ports and the internal DAC rate clock.[11] AD9122 follows the digital data-path process which includes a pre-modulation block, three half band interpolation filters, a quadrature modulator with fine resolution NCO, phase and offset adjustment blocks and an inverse sinc filter.[11] The AD9122 DAC comes with an on-chip sample error detection technique that helps in simplifying the verification of the input data interface.[11]

with DAC is shown. In this stored sample of sinc pulse is played out using DAC AD9122 and modulated using in built NCO available in AD9122 evaluation board. This will successfully complete the RF signal generation.

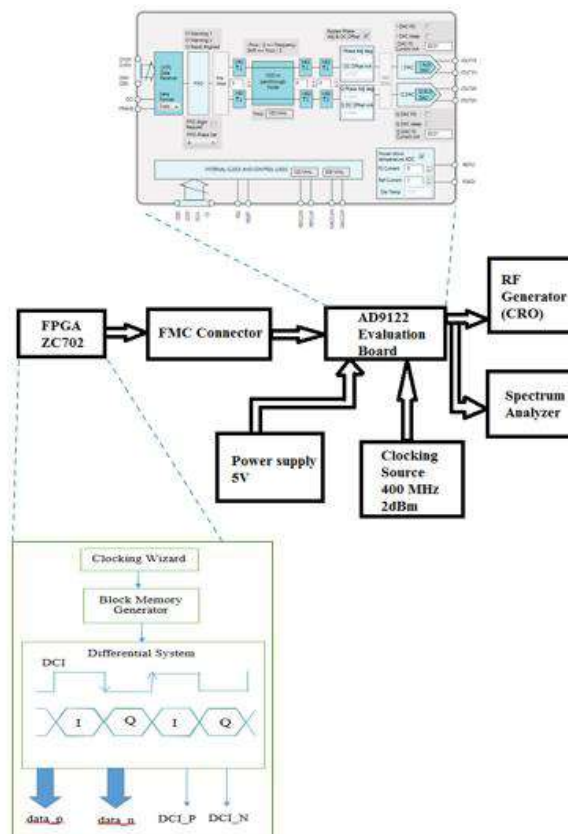


Fig. 2. Block diagram of RF signal generation using FPGA.

IV. USED FPGA PLATFORM

The FPGA ZC702 evaluation board provides system-on-chip platform for hardware environment required for developing and evaluating designs.[12] With the use of VITA-57 FPGA mezzanine cards (FMC) attached to either of two low pin count (LPC) FMC connectors, other features can also be supported. The XC7Z020 consists of processing system (PS) and programmable logic (PL).[12] This memory system is connected to the XC7Z020 processing system (PS) memory interface bank. For providing interface to user-logic access to general purpose nonvolatile SDIO memory cards and peripherals ZC702 board includes a secure digital input/output (SDIO). The ZC702 board also comes with three clock sources for the XC7Z020.[13]

V. PROPOSED BLOCK DIAGRAM

This section of the paper mainly focuses on the detailed block diagram of the working principle of RF signal generation which is based on Field Programmable Gate Array (FPGA). Further it also gives a description of interfacing FPGA with DAC using FMC connectors. In Fig 2 interfacing of FPGA

VI. NUMERICALLY CONTROLLED OSCILLATOR

Numerically Controlled Oscillators (NCO) offer several advantages in terms of accuracy, stability and reliability over other types of oscillators. NCOs provide a flexible architecture that enables easy programmability such as on-the-fly frequency/phase [11].

Principle of NCO:

The NCO generates a sine waveform using the concept of direct digital synthesis. In direct digital synthesis, the samples of the sine wave are stored in memory and are read out to generate the output sine wave. The frequency of the output sine wave is controlled by the clock speed and appropriate skipping of intermediate data points. In the simplest scenario, the sampled data for one full wave period is stored in memory and is directly used for the output. However, other enhanced methods are frequently used to reduce the memory size requirements. The full wave corresponding to one period of the sine wave is divided into N segments. The incremental angle

for each segment, denoted as $\Delta\theta$, is equal to $2\pi/N$ and the phase values corresponding to one period are given by:

$$\Theta_i = \frac{2\pi i}{N} \quad i = 0, 1, 2, \dots, N - 1 \quad (1)$$

The output values corresponding to the phase sequence, given in Equation 2, are stored in the look-up table.

$$d_i = \sin \theta_i = \sin \frac{2\pi i}{N} \quad (2)$$

Here the phase index, i is generated either in sequential manner or in increments and is further used to address the memory address of the look-up table. The output of the look-up table is the sine wave sample. The index increment can be any value greater than zero, including fractional values [15].

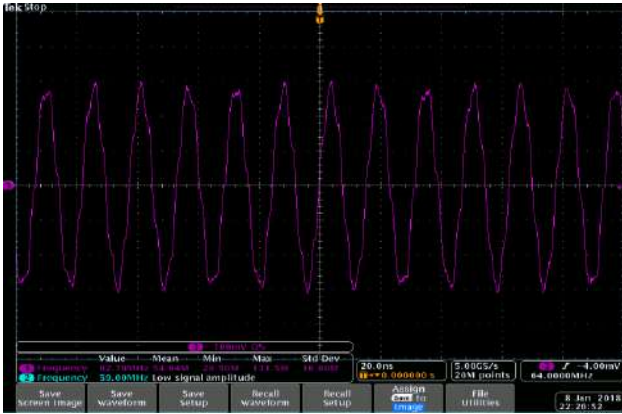


Fig. 3. Sine wave generated using DDS and plotted on CRO

The above Fig. 3 shows generated sinusoidal waveform plotted on CRO. This waveform is obtained using DDS which has 64MHz frequency. Also, with reference to this waveform, sinc pulse is implemented which has the same frequency component. With reference to the generation of sine wave, sinc wave is generated through DDS with the help of MATLAB tool. In order to generate sinc wave, filters and modulators are required to set the output sinc waveform to a particular desired frequency. Thus, using fdatool command in MATLAB, coefficients of the filters are designed and obtained and accordingly are set to quantize the filter. The following two images give information regarding the sinc wave generation obtained on CRO and also using VIVADO software tool which needs MATLAB tool to design and obtain the filter coefficients.



Fig. 4. DDS output as sinc wave obtained on CRO

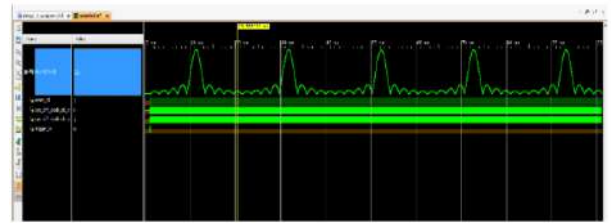


Fig. 5. Simulation result of Vivado for sinc wave generation (DDS)

VII. DIGITAL UP CONVERTER

Digital up-conversion is well known sample rate conversion process in Digital Signal Processing. This technique is widely used for converting a baseband signal to band pass signal. For the baseband signal to be transmitted, it needs to be modulated on to an IF/RF carrier frequency [1] [2]. Nyquist theorem states that the sampling rate should be at least twice the highest frequency component. Hence the baseband signal, whose sample rate might be very less compared to IF/RF carrier signal sampling rate, needs to have the sampling rate to match the IF/RF carrier signal sampling rate.

DUC is the up conversion of the signal in the digital transmission path from the FPGA to the coil. The transmitter path has to interpolate the incoming signal to the required sampling rate for the default clock rate. In the implementation, two half-band filters are present prior to the lowpass filter if the interpolation rate is a factor of four. If the interpolation rate is a factor of two, then only one half-band filter is used. If the interpolation factor is odd, then no half-band filters are used. There are two transmit paths for the in-phase and the quadrature phase components. Following figure shows the generalized block diagram of Digital Up converter.

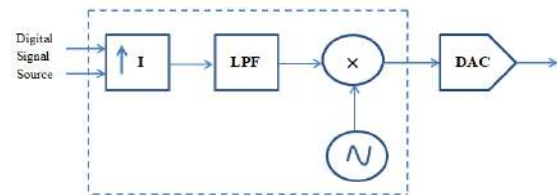


Fig. 6. Generic DUC Architecture

Implementation of NCO:

DDS use digital control methods to produce different output frequencies from reference frequency source. In the figure below, FIR filter is designed which filters the input digital data and the output of which is given to the mixer. Another input to the mixer is obtained from NCO which is nothing but DDS. Here, DDS produces a waveform which is phase shifted by 90° out of phase. In this figure, FIR filter is designed using fdatool command in MATLAB. This tool is used to design, analyse and modify the existing filter designs. The Filter Design and Analysis Tool (FDATool) is a interface which provides a platform for designing and analyzing filters. FDATool enables you to quickly design digital FIR or IIR filters by setting filter performance specifications, by importing filters from your MATLAB workspace, or by directly specifying filter coefficients. FDATool also provides

a technique used for analyzing filter parameters such as magnitude and phase response plots and pole-zero plots. The Filter Design and Analysis Tool also integrates advanced filter design methods from the DSP System Toolbox software.

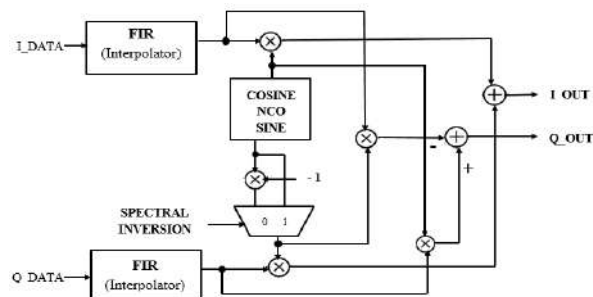


Fig. 7. Digital Numerically Controlled Oscillator / DDS

VIII. RESULTS AND EXPERIMENTAL OBSERVATIONS

To verify the working of the designed and proposed system, a laboratory setup is prepared and analyzed. The system here works on 400MHz system clock rate and an amplitude modulated sinc waveform is obtained which is of 64MHz peak frequency. Fig 8 (a) and (b) shows the modulated sinc waveform and the output of the frequency spectrum at 64MHz as observed on spectrum analyser.

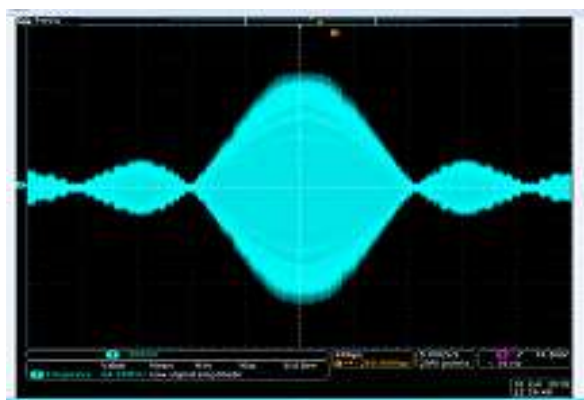


Fig. 8. (a) Modulated Sinc Waveform

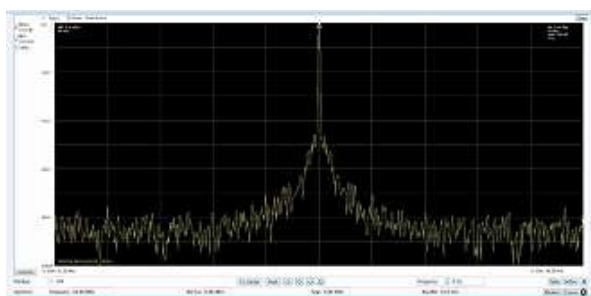


Fig. 8. (b) Output of sinc wave as a spectrum on Spectrum Analyzer

The experimental setup for RF signal generation using FPGA and Digital to Analog Converter using Interposer Card is as shown in Fig 9. (a) and Fig 9 (b).

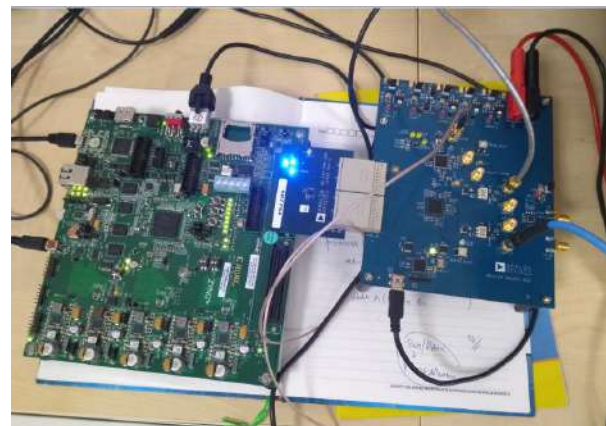


Fig. 9. (a) Interfacing of FPGA and DAC through Interposer Card

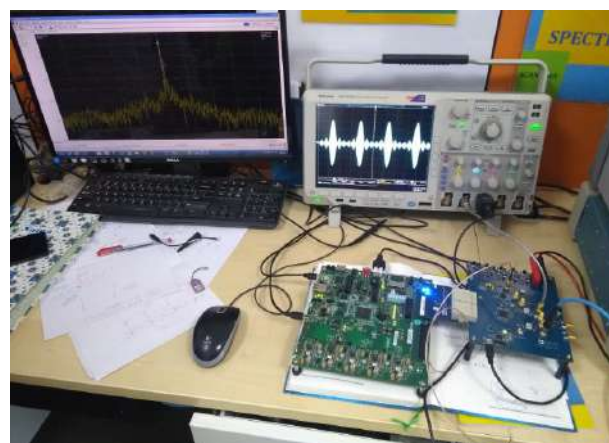


Fig. 9. (b) Experimental Setup

IX. CONCLUSION

The generation of RF signal based on FPGA technology is achieved and presented successfully using softwares like VIVADO, ACE and MATLAB. The DAC used for RF generation verifies satisfactory results and performance. Thus, it can be concluded that the results and output obtained from the above experimental procedure is modest and better than other previous work of others. The experimental results show effectiveness of system and functionality of algorithms followed throughout the procedure.

ACKNOWLEDGMENT

The author is thankful to Mr. Rajesh Harsh, HOD (TID Division) and Mr. Dharmesh Verma (Scientist – D), TID Division, SAMEER Mumbai, for their help in implementation and experimentation.

REFERENCES

- [1] K. Feng, N. A. Hollingsworth, M. P. McDougall and S. M. Wright, "A 64-Channel Transmitter for Investigating Parallel Transmit MRI," in *IEEE Transactions on Biomedical Engineering*, vol. 59, no. 8, pp. 2152-2160, Aug. 2012.
- [2] W. Tang and W. Wang, "A Low-Cost Multichannel Spectrometer for Magnetic Resonance Imaging," *2011 5th International Conference on Bioinformatics and Biomedical Engineering*, Wuhan, 2011, pp. 1-3.

- [3] L. E. Crooks, "An Introduction to Magnetic Resonance Imaging," in *IEEE Engineering in Medicine and Biology Magazine*, vol. 4, no. 3, pp. 8-15, Sept. 1985.
- [4] P. C. Lauterbur and Zhi-Pei Liang, "Magnetic resonance imaging with a priori constraints: possibilities and limitations," *Proceedings of 18th Annual International Conference of the IEEE Engineering in Medicine and Biology Society*, Amsterdam, 1996, pp. 2170-2171 vol.5.
- [5] F. E. Sagcan, A. Bayram and B. Sen, "FPGA implementation of Delta Sigma Modulation based all-digital RF transmitter for parallel magnetic resonance imaging," *2015 European Microwave Conference (EuMC)*, Paris, 2015, pp. 494-497.
- [6] R. F. Cordeiro, A. Prata, A. S. R. Oliveira, N. B. Carvalho and J. N. Vieira, "FPGA-based all-digital software defined radio system demonstration," *2015 25th International Conference on Field Programmable Logic and Applications (FPL)*, London, 2015, pp. 1-1.
- [7] S. M. Wright, M. P. McDougall, K. Feng, N. A. Hollingsworth, J. C. Bosshard and C. W. Chang, "Highly parallel transmit/receive systems for dynamic MRI," *2009 Annual International Conference of the IEEE Engineering in Medicine and Biology Society*, Minneapolis, MN, 2009, pp. 4053-4056.
- [8] J. F. Villena *et al.*, "Fast Electromagnetic Analysis of MRI Transmit RF Coils Based on Accelerated Integral Equation Methods," in *IEEE Transactions on Biomedical Engineering*, vol. 63, no. 11, pp. 2250-2261, Nov. 2016.
- [9] A. Hassibi, A. Babakhani and A. Hajimiri, "A Spectral-Scanning Nuclear Magnetic Resonance Imaging (MRI) Transceiver," in *IEEE Journal of Solid-State Circuits*, vol. 44, no. 6, pp. 1805-1813, June 2009.
- [10] Z. Liu, C. Zhao, H. Zhou and H. Feng, "A Novel Digital Magnetic Resonance Imaging Spectrometer," *2006 International Conference of the IEEE Engineering in Medicine and Biology Society*, New York, NY, 2006, pp. 280-283.
- [11] www.analog.com/media/en/technical-documentation/data-sheets/AD9122.
- [12] <https://www.xilinx.com/products/boards-and-kits/ek-z7-zc702-g.html/>
- [13] <https://www.xilinx.com/support/documentation/.../zc702.../ug850-zc702-eval-bd.pdf/>
- [14] <https://www.google.co.in/mriquestions.com/Fradiofrequency-waves.html/>
- [15] <https://www.google.co.in/mriquestions.com/why-precession.html/>

Localization and Tracking of Indoor Mobile Robot with Beacons and Dead Reckoning Sensors

Allan Lobo*, Ronit Kadam*, Shabeeha Shajahan*, Keshad Malegam[†], Kranti Wagle* and Sunil Surve*

* Fr. Conceicao Rodrigues College of Engineering, Mumbai, India.

[†]Embry-Riddle Aeronautical University, Daytona Beach, USA.

Email: allanlobo@ieee.org, ronit@ieee.org, shabeeha@ieee.org, Keshad@ieee.org, kranti@frcrce.ac.in, surve@frcrce.ac.in

Abstract—Autonomous robots must be able to localize themselves in an environment. We are interested in the real time pose estimation of a single surveillance robot based on the Odometry algorithm and Dead Reckoning using Inertial Measurement Unit (IMU) sensors. This approach is subjected to accumulated errors due to slippage and drift respectively. Algorithm proposed in this paper uses Trilateration with Extended Kalman filter. We found that our approach reduces the error.

Index Terms—Localization, Odometry, Dead Reckoning, Inertial Measurement Unit(IMU), Trilateration, Kalman filter.

I. INTRODUCTION

To navigate reliably in indoor environments, a mobile robot must know where it is. Thus, reliable position estimation is a key problem in mobile robotics. Location information is essential for planning and decision making processes. In open outdoor environments, differential GPS systems can provide precise positioning information. However, there are many applications in which GPS cannot be used, such as indoor, underwater, extraterrestrial, or urban environments. For situations when GPS is unavailable, localization using Odometry [3] [5] and Dead Reckoning using IMU sensors [4] [6] may provide an alternative. However, Odometry is subjected to accumulated errors over time and is insufficient for many tasks [1]. Most current localization methods make use of range or angle measurements with respect to other nodes (pre-deployed beacons or other robots) to constraint Dead Reckoning error growth [2].

Odometry and Dead Reckoning using IMU sensors show errors in the readings due to wheel slippage and drift respectively. These errors can be overcome by using Trilateration which calculates discrete and real time coordinates of mobile robot using pre defined active beacons. However, the results from Trilateration can be further refined using Kalman Filter, which uses Linear Quadratic Estimate w.r.t multiple readings taken in a given instance [11]. These readings are contaminated with random noise and the resultant estimate is error-free as compared to that obtained in a single reading in a given instance of time. Kalman filtering is used to estimate dynamic variables (that may or may not be directly measurable) in the presence of noise. Kalman Filters work by taking noise, such as slight drift produced in the accelerometer inside the IMU sensors into consideration as well as taking into account the most accurate information about position. This technique takes advantage of additional information regarding the system, in

particular, a dynamic model of the system. Kalman Filter technique is extensively used for localization [14] and/or tracking [13] for mobile robot movement. Comparative study of localization techniques using Kalman filter is given in [12].

In this paper, we present localization algorithm for indoor robots which uses Odometry measurements, Dead Reckoning using IMU sensors coupled with Extended Kalman filter refined Trilateration technique for accurate position estimation. Our approach is based on a field of static nodes that communicate within a limited distance. The mobile agents are assumed to have been previously localized by a static localization algorithm using Odometry and/or Dead Reckoning using IMU sensor approach. A mobile agent moves through this field, passively obtaining position using onboard sensors and listens to broadcasts from the static nodes. Based on this information, and an upper bound on the speed of the mobile node, our method recovers an estimate of the path traversed. As additional measurements are obtained from beacons, this new information is propagated backwards to refine previous location estimates. We found that our algorithm finds optimal localization regions i.e. the smallest regions that must contain the mobile node.

II. MODEL

A. Robot Kinematic Model

Localization problem is defined as determination of the robot position $x_k = [x_k^R, y_k^R, \theta_k^R]$ towards global coordinate system in given time step k . Linear and angular velocities $[u_k^R, w_k^R]$ are calculated from Odometry readings.

Due to the imperfection of the motion model and measurement errors, the position is represented using simple unimodal Gaussian approximation [2]. Mathematically, it can be presented as

$$\begin{cases} x_{k+1} = f(x_k, u_k, k) + \mathbf{v}_k \\ y_k = h(x_k, k) + \mathbf{w}_k \end{cases} \quad (1)$$

where \mathbf{v}_k is white Gaussian noise (representing errors due to imperfect sensors and wheel slippage) with zero mean and covariance matrix \mathbf{V}_k , y_k is system output, w_k is white Gaussian measurement noise with zero mean and covariance matrix \mathbf{W}_k , f and h are continuously differentiable non-linear functions. The state transition function f defines how the state

of robot changes

$$\mathbf{x}_{k+1} = f(\mathbf{x}_k, \mathbf{u}_k) + \mathbf{v}_k = \begin{pmatrix} \cos\theta_k^R u_k^t \Delta(t) + x_k^R \\ \sin\theta_k^R u_k^t \Delta(t) + y_k^R \\ u_k^t \Delta(t) + \theta_k^R \end{pmatrix} \quad (2)$$

The position of beacons is defined as

$$\mathbf{X}_{bi} = [x_{bi}, y_{bi}], \quad i = 1, 2, \dots, N \quad (3)$$

The output with respect to i^{th} beacon is defined as

$$y_{ik} = [h_i(\mathbf{X}_k, \mathbf{X}_{bi})] + [\mathbf{W}_{ik}] \quad (4)$$

where

$$h_i(\mathbf{X}_k, \mathbf{X}_{bi}) = \begin{cases} ((x_k - x_{bi})^2 + (y_k - y_{bi})^2)^{1/2} \\ \text{atan2}(y_k^R - y_{bi}, x_k^R - x_{bi}) - \theta_k^R \end{cases} \quad (5)$$

The position of the robot cannot be determined exactly.

B. Relative and Absolute Localization

We use Odometric measurements for finding relative (local) localization. The new position is given as [5]

$$X_j = \begin{pmatrix} x_j \\ y_j \\ \theta_j \end{pmatrix} = \begin{pmatrix} \cos\theta_i & -\sin\theta_i & 0 \\ \sin\theta_i & \cos\theta_i & 0 \\ 0 & 0 & 1 \end{pmatrix} \begin{pmatrix} x_{ij} \\ y_{ij} \\ \theta_{ij} \end{pmatrix} \quad (6)$$

where

$$X_{ij} = X_i^{-1} X_j = \begin{pmatrix} x_{ij} + \mathbf{v}_{x_{ij}} \\ y_{ij} + \mathbf{v}_{y_{ij}} \\ \theta_{ij} + \mathbf{v}_{\theta_{ij}} \end{pmatrix} \quad (7)$$

Mobile agent receives localization information from n beacons. Out of n beacons, agent uses information of nearest 3 beacons. The Trilateration method can be used for position estimation. Mathematically, this problem can be solved with the following three simultaneous equations,

$$d_i^2 = (x - x_{ri})^2 + (y - y_{ri})^2 + h^2 \quad (8)$$

where x and y are the position coordinates, d_i is the distance to beacon i , x_{ri} and y_{ri} are coordinates of beacon i , h is the height at which beacons are placed.

C. Error Correction using Trilateration Technique

Trilateration is a complex method of triangulation which determines the 2D position of points in a communicating network or a test bed. It works in a similar methodology as GPS receivers by calculating the unknown positions of autonomous robots by obtaining readings from the test environment using pre-installed sensors. For Trilateration to effectively take place, the receiver needs to calculate the distance between the transmitting sensors which can be beacons placed at discrete intervals and the mobile robot. This distance can be calculated with the help of the sending and the receiving time span of the signal. Trilateration can effectively take place once distances with respect to the nearest three beacon transmitters are obtained. When three different circles are centred on these points, their point of intersection, gives the location of the

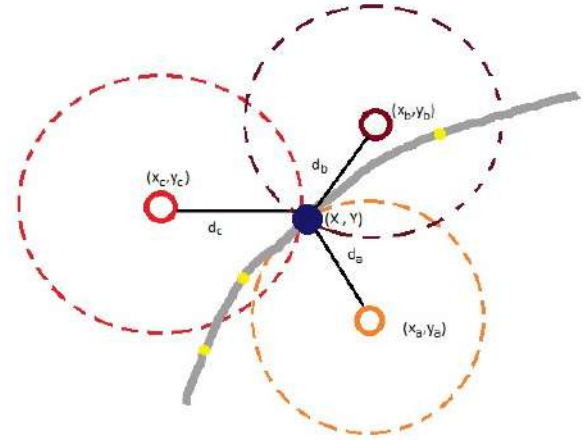


Fig. 1. Trilateration Model

mobile robot. The test bed has multiple active beacons whose coordinates have been pre-calculated using GPS.

Considering the basic formula for the general equation of a sphere as shown in equation (9):

$$d^2 = x^2 + y^2 + z^2 \quad (9)$$

For a sphere centred at a point (x_a, y_a, z_a) the equation is simplified as shown as in equation (10);

$$d^2 = (x - x_a)^2 + (y - y_a)^2 + (z - z_a)^2 \quad (10)$$

Since one assumes that all nodes span out on the same plane, consider the three anchor nodes (a, b and c) that have distance (d_a, d_b, d_c) to the blind node as illustrated in Fig.1; The formula for all spheres on one plane is shown below in the following equations [11]:

$$d_a^2 = x^2 - 2x.x_a + x_a^2 + y^2 - 2y.y_a + y_a^2 \quad (11)$$

$$d_b^2 = x^2 - 2x.x_b + x_b^2 + y^2 - 2y.y_b + y_b^2 \quad (12)$$

$$d_c^2 = x^2 - 2x.x_c + x_c^2 + y^2 - 2y.y_c + y_c^2 \quad (13)$$

The three equations (11), (12) and (13) are independent non-linear simultaneous equations which cannot be solved mathematically; However, using method proposed by Dixon [10] to obtain radical plane for sphere intersection, equation (13) was subtracted from equation (12) to get the following linear equation:

$$d_b^2 - d_c^2 = 2x(x_c - x_b) + x_b^2 - x_c^2 + 2y(y_c - y_b) + y_b^2 - y_c^2 \quad (14)$$

And subtracting equation (11) from equation (12), the following linear equation is obtained:

$$d_b^2 - d_a^2 = 2x(x_a - x_b) + x_b^2 - x_a^2 + 2y(y_a - y_b) + y_b^2 - y_a^2 \quad (15)$$

Rearranging the equation (14) to produce a new equation and a new variable as follows,

$$x(x_b - x_c) + y(y_b - y_c) = \frac{(d_b^2 - d_c^2) - (x_b^2 - x_c^2) - (y_b^2 - y_c^2)}{2} = v_a \quad (16)$$

Rearranging the equation (15) to produce a new equation and a new variable as follows,

$$x(x_a - x_b) + y(y_a - y_b) = \frac{(d_b^2 - d_a^2) - (x_b^2 - x_a^2) - (y_b^2 - y_a^2)}{2} = v_b \quad (17)$$

Resolve the equation (16) and equation (17) to gain the intersection point x and y :

$$y = \frac{v_b(x_c - x_b) - v_a(x_a - x_b)}{(y_a - y_b)(x_c - x_b) - (y_c - y_b)(x_a - x_b)} \quad (18)$$

$$x = \frac{v_a - y(y_c - y_b)}{(x_c - x_b)} \quad (19)$$

The values for x and y gives us the accurate position in two dimension (2D) for the blind node. But these values cannot be obtained without the signal propagation model.

D. Refining using Extended Kalman Filter

Extended Kalman filtering [1] [2] is a well known technique for state and parameter estimation. It is a recursive estimation procedure that uses sequential sets of measurements. Prior knowledge of the state (expressed by the covariance matrix) is improved at each step by taking the prior state estimates and new data for the subsequent state estimation. In recent years, Extended Kalman filter based localization has become common practice [1] [2] [9] in the robotics literature.

The Extended Kalman filter consists of two different steps - prediction and update. The equations for the prediction step are [2]:

$$\begin{cases} \hat{\mathbf{X}}_{k+1|k} = f(\hat{\mathbf{X}}_{k|k}, u_k, k), \\ \mathbf{P}_{k+1|k} = \mathbf{F}_k \mathbf{P}_{k|k} \mathbf{F}_k^T + \mathbf{V}_k \end{cases} \quad (20)$$

Update is given as:

$$\begin{cases} \hat{\mathbf{x}}_{k+1|k+1} = \hat{\mathbf{x}}_{k+1|k} + \mathbf{K}_{k+1} \hat{\mathbf{y}}_{k+1} \\ \mathbf{P}_{k+1|k+1} = \hat{\mathbf{x}}_{k+1|k} - \mathbf{K}_{k+1} \mathbf{H}_{k+1} \mathbf{P}_{k+1|k} \end{cases} \quad (21)$$

where

$$\hat{\mathbf{y}}_{k+1} = \mathbf{y}_{k+1} - h(\hat{\mathbf{x}}_{k+1|k}, k+1), \mathbf{K}_{k+1} = \mathbf{P}_{k+1|k} \mathbf{H}_{k+1}^T \mathbf{S}_{k+1}^{-1}$$

$$\mathbf{S}_{k+1} = \mathbf{H}_{k+1} \mathbf{P}_{k+1|k} \mathbf{H}_{k+1}^T + \mathbf{W}_{k+1}, \mathbf{H}_{k+1} = \frac{\delta h}{\delta x}$$

$$\mathbf{F}_k = \left(\frac{\delta f}{\delta f} \Big|_{x=\hat{x}_{k|x}} \right)$$

To obtain x_{ij} and y_{ij} , the covariance matrix is given as

$$\mathbf{P} = \begin{pmatrix} \sigma_x^2 & 0 & 0 \\ 0 & \sigma_y^2 & 0 \\ 0 & 0 & \sigma_\theta^2 \end{pmatrix} \quad (22)$$



Fig. 2. Test Bed Area

III. ALGORITHM FOR DISCRETE ERROR DETECTION AND CORRECTION.

We assume that beacons are capable of transmitting their position. Also, we assume that the robot is equipped with sufficient number of sensors/receivers to receive the information from beacons and wheel encoders to calculate wheel velocities. The algorithm for localization is as follows:

- 1) Calculate position estimates using Odometry sensors.
- 2) Refine position estimates using IMU sensors to overcome slippage errors.
- 3) Recalculate position estimates using Trilateration methods to remove Dead Reckoning induced drift errors.
- 4) Further, refine the position estimates using Extended Kalman Filter.
- 5) Replace position tuple by refined position tuple.

IV. SIMULATION

Local coordinates are obtained by moving the robot manually, in the test bed region. These local coordinates were converted to global coordinates as shown in Fig.2 which are used for simulation. The algorithm is simulated in MATLAB and compared with methods like localization using Odometry, Dead Reckoning using IMU sensors and Trilateration method. The comparison and experimental results are shown in Fig.3 and Table 1 respectively. We found that Odometry method induces an approximation error of 34% whereas Dead Reckoning using IMU shows improvement by 4%. The Trilateration technique minimizes error to 5% which is improved to 2% using Extended Kalman filter with Trilateration.

V. CONCLUSIONS

We have presented a simple and efficient algorithm for localization and tracking. We have shown that well calibrated Odometry and beacon data provide a backup system that proves to be very useful in the case when absolute positioning sensors are unavailable. Nowadays, most outdoor robots use GPS, but given the constraints on indoor robots, GPS is

TABLE I
SAMPLE READINGS FOR COMPARISON BETWEEN ODOMETRY, ODOMETRY+IMU, TRILATERATION AND TRILATERATION WITH EKF

	Original	Odometry	Odometry with IMU	Trilateration	Trilateration with EKF
1.	(6.6729,7.6446)	(7.896,7.6497)	(6.7879,8.6459)	(7.2757,7.8103)	(6.673,7.736)
$\delta(x\%,y\%)$		(-18.33,0.067)	(-1.75,-13)	(-9,-2.16)	(-0.0015,-1.1956)
2.	(11.678,24.6315)	(19.6779,21.3672)	(12.9621,24.8383)	(13.2365,23.3636)	(11.67,24.31)
$\delta(x\%,y\%)$		(-69.00,13.285)	(-11.00,-0.839)	(13.34,51.47)	(0.0685,1.305)
3.	(16.4976,16.9869)	(24.1071,10.6224)	(18.9325,14.9000)	(17.6178,16.3641)	(16.49,16.96)
$\delta(x\%,y\%)$		(-46.12,-37.46)	(-14.75,12.28)	(-6.97,3.66)	(0.046,0.1583)
4.	(22.2442,10.1928)	(27.8092,-0.4259)	(25.719,5.4224)	(22.9732,10.1434)	(22.95,9.7)
$\delta(x\%,y\%)$		(-25.00,104.17)	(-15.62,46.80)	(-3.27,0.484)	(-0.026,4.8347)
5.	(11.678,4.247)	(13.8418,3.6928)	(11.8061,3.2817)	(12.0827,4.6994)	(11.69,4.567)
$\delta(x\%,y\%)$		(-18.52,13.04)	(-1.09,22.72)	(-3.46,-10.65)	(-0.1027,-7.5818)
6.	(4.8195,2.5482)	(3.7483,4.4548)	(3.7538,-2.57)	(5.136,3.144)	(4.343,2.562)
$\delta(x\%,y\%)$		(-22.22,-42.79)	(22.11,114.89)	(-6.56,-13.37)	(9.8869,0.5415)

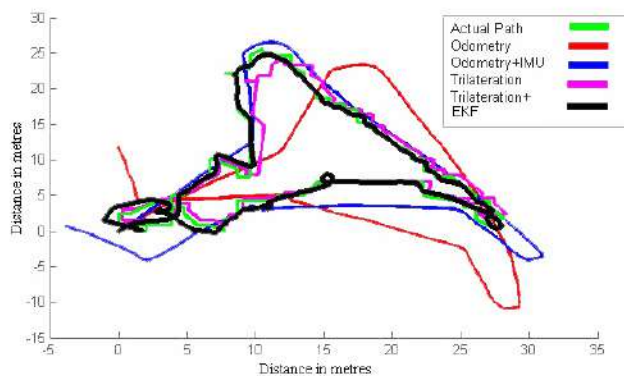


Fig. 3. Comparative analysis of localization algorithm

available intermittently. If good Odometry is available then the robot can rely on it for some time but when it has moved a sufficiently long distance, error correcting techniques using Trilateration and Extended Kalman filtering implemented with active beacons can be used for absolute localization. We have obtained very good results in localization accuracy and robustness.

REFERENCES

- [1] Guilherme A. S.Pereira, R. Vijay Kumar and Mario F. M. Campos, Localization and Tracking in Robot Networks, Proceedings of the 11th International Conference on Advanced Robotics (ICAR 2003), June 30-July 3, 2003, Coimbra, Portugal.
- [2] J. Krejsa and S. Vechet, Infrared Beacons based Localization of Mobile Robot, in Journal of Automatic Robotics, ISSN No. 1392 1215, 2012, No. 1(117).
- [3] Shen J., Tick D. and Gans N., Localization Through Fusion of Discrete and Continuous Epipolar Geometry with Wheel and IMU Odometry, in the 2011 American Control Conference on O'Farrell Street, San Francisco, CA, USA, June 29 - July 01, 2011, 1292-1298.
- [4] Yi J., Wang H., Zhang J., Song D., Jayasuriya S., and Liu J., Kinematic Modeling and Analysis of Skid-Steered Mobile Robots With Applications to Low-Cost Inertial-Measurement-Unit-Based Motion Estimation, IEEE TRANSACTIONS ON ROBOTICS, Vol. 25, No. 5, October 2009, 1087-1097.
- [5] Chengdong WU, Long CHENG and Hao CHU, Localization and Tracking of Indoor Mobile Robot with Ultrasonic and Dead-reckoning Sensors, in Journal of Computational Information Systems 8: 2 (2012) 531-539.
- [6] Chun-Chieh Hsiao and Polly Huang, Two Practical Considerations of Beacon Deployment for Ultrasound-Based Indoor Localization Systems, Proceedings of 2008 IEEE International Conference on Sensor Networks, Ubiquitous, and Trustworthy Computing.
- [7] Octavian - Modest MANU, A Study of Indoor Localization Techniques, Vol 1, No 2 (2009), <http://doct-us.usv.ro/article/view/47/0>.
- [8] Lindsay Kleeman (MIEEE), Optimal Estimation of Position and Heading of Mobile Robots Using Ultrasonic Beacons and Dead-reckoning, in the Proceedings of 1992 IEEE International Conference on Robotics and Automation, Nice, France - May 1992.
- [9] Yoshihiro Sakamoto, Kenri Kodaka, Takuji Ebinuma, Kenjiro Fujii and Shigeki Sugano, Active-localization Methods for Mobile Robots in a Coarsely Structured Environment with Floor-embedded RFID Tags and Indoor GPS Rocky Mountain, in the Proceedings of 2012 IEEE International Conference on Mechatronics and Automation, August 5 - 8, Chengdu, China.
- [10] Dixon, John C., (2009), Suspension Analysis and computational Geometry: John Wiley and sons limited
- [11] Oguejiofor O.S, Aniedu A.N, Ejiofor H.C and Okolibe A.U, Trilateration Based Algorithm for Wireless Sensor Network, International Journal of Science and Modern Engineering (IJISME) ISSN: 2319-6386, Volume-1, Issue-10, September 2013.
- [12] Gonzalez R., Rodriguez F., Guzman J.L., Berenguel M., Comparative Study of Localization Techniques for Mobile Robots based on Indirect Kalman Filter, Proceedings of IFR International Symposium on Robotics, Barcelona, Spain, 2009, pp. 253-258.
- [13] Oscar L.C., Fragaría A., Franz Y.M., Robot position tracking using Kalman Filter, Proceedings of the World Congress on Engineering, 2008, Volume-2, WCE 2008, July 2-4, 2008, London, U.K.
- [14] Hamzah A. and Toru N., Extended Kalman Filter-based Mobile robot localization with intermittent measurements, Systems Science and Control Engineering, 2013, Volume-1, No.1, 113-126, <http://dx.doi.org/10.1080/21642583.2013.864249>.

No	Title / Author Name	Page No
1	Applications of Text Classification using Text Mining <i>Mrs. Manisha Pravin Mali, Dr. Mohammad Atique</i>	1
2	Enhanced Steganography Algorithm to Improve Security by using Vigenere Encryption and First Component Alteration Technique <i>Deeksha Bharti, Dr. Archana Kumar</i>	5
3	On Nano Generalized A-Closed Sets & Nano A-Generalized Closed Sets in Nano Topological Spaces <i>R.Thanga Nachiyar I, K.Bhuvaneswari</i>	16
4	Double Precision Floating Point Square Root Computation <i>NajibGhatte, Shilpa Patil, Deepak Bhoir</i>	14
5	Experimental Characterization of Silver Nanofilm Proximity Coupled Microstrip Patch Antenna <i>Rajendra R. Patil, Vani R.M, P.V. Hunagund</i>	19
6	Advanced Reversible Data Hiding With Encrypted Data <i>Shilpa Sreechumar, Vincy Salam</i>	23
7	Multi-Feature Based Speech Emotion Recognition Feature combination for speech emotion recognition <i>Surveda S, Nirmala L</i>	27

Organized By

ISBN: 978-93-84209-45-9

IRF IRAJ
Research
Forum

PROCEEDINGS OF
FIFTH IRF
INTERNATIONAL CONFERENCE

In Association With



Date: 10th August 2014
Venue: Goa, INDIA

SINGLE PRECISION FLOATING POINT DIVISION

¹NAJIB GHATTE, ²SHILPA PATIL, ³DEEPAK BHOIR

^{1,2,3}Fr. Conceicao Rodrigues College of Engineering, Fr. Agnel Ashram, Bandstand, Bandra (W), Mumbai: 400 050, India

Abstract- Binary Division is one of the most crucial and silicon-intensive and of immense importance in the field of hardware implementation. A Divider is one of the key hardware blocks in most of applications such as digital signal processing, encryption and decryption algorithms in cryptography and in other logical computations. Being sequential type of operation, it is more prominent in terms of computational complexity and latency. This paper deals with the novel division algorithm for single precision floating point division Verilog Code is written and implemented on Virtex-5 FPGA series. Power dissipation has been reduced. Moreover, significant improvement has been observed in terms of area-utilisation and latency bounds.

Keywords- Single precision, Binary Division, Long Division, Vedic, Virtex, FPGA, IEEE-754.

I. INTRODUCTION

The term floating point implicates that there is no fixed number of digits before and after the decimal point; i.e. the decimal point can float. Floating-point representations are slower and less accurate than fixed-point representations, but can handle a larger range of numbers. Because mathematics with floating-point numbers requires a great deal of computing power, many microprocessors come with a chip, called a floating point unit (FPU), specialized for performing floating-point arithmetic. FPUs are also called math coprocessors and numeric coprocessors. Floating-point representation has a complex encoding scheme with three basic components: mantissa, exponent and sign. Usage of binary numeration and powers of 2 resulted in floating point numbers being represented as single precision (32-bit) and double precision (64-bit) floating-point numbers. Both single and double precision numbers as illustrated in Fig. 1 are defined by the IEEE 754 standard.

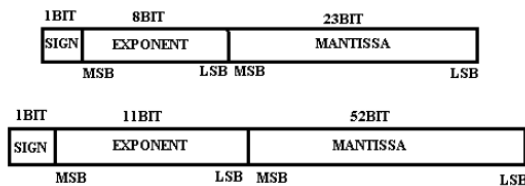


Fig. 1 IEEE-754 Floating-point Representation Standards

For a single precision format, 8-bits are reserved for exponent thereby having a bias value of +127 and 23 bits are reserved for mantissa.

When sign bit is 1, it indicates negative number and when it is 0, it argues as a positive number.

The similar explanation is extended for double precision format where exponents are biased to +1023. Binary division operation is of much significance in the area of hardware implementation

of signal processing, high quality graphics rendering, filter applications, etc. It is the most important goal of a designer to enhance the performance of the ALU thereby reducing its design complexity to have better figure of merit. Many algorithms were proposed and implemented to reduce the latency of binary division. In algorithmic and structural levels, a lot of division techniques had been developed to reduce the latency of the divider circuitry; which reduces the iteration aiming to reduction of latency but the principle behind division was same in all cases.

Vedic math is known to more optimised and efficient than algorithms based on conventional logic. The sutras defined can be used in digital design to improve the performance of ALUs based on conventional logic. Nikhilam Navatashcaramam Dashatah Sutra and the Paravartya Sutra deals with the division. These sutras find its limitations when number of bits are increased as this paper deals with IEEE-754 floating-point representation.

II. VARIOUS DIVISION ALGORITHMS

Researchers have proposed many algorithms and procedural architectures to carry out division in order to reduce the computational time and thus enhancing the performance.

A. Restoring Division

Restoring division operates on fixed-point fractional numbers and depends on the following assumptions: (a) $D < N$ and (b) $0 < N, D < 1$. The quotient digits q are formed from the digit set $\{0, 1\}$. The basic algorithm for binary (radix 2) restoring division is:

To compute a/b , put a in register A, b in register B and 0 in register P.

1. Shift the register pair (P, A) one bit left.
2. Subtract the content of Register B from register P.
3. If the result of step 2 is negative, set the A_0 to 0, otherwise to 1.

4. If the result of step 2 is negative, restore the old value of P by adding the contents of register B back into P.

After repeating the algorithm, n times, register A will have quotient and register P with remainder.

B. Non-Restoring Division

Non-restoring division uses the digit set $\{-1, 1\}$ for the quotient digits instead of $\{0, 1\}$. The basic algorithm for binary (radix 2) non-restoring division is:

If P is negative,

- 1a. Shift (P,A) one bit left.
- 2a. Add the content of register B to P.

else

- 1b. Shift (P,A) one bit left.
- 2b. Subtract the contents of register B from

P.

3. If P is negative, set the low-order bit of A to 0, otherwise set it to 1.

Repeat the above procedure n times. After n cycles, register A will have the quotient and if P is positive, it is the remainder, otherwise it has to be restored (add B to it) to get the remainder.

C. SRT Division

Named for its creators (Sweeney, Robertson, and Tocher), SRT division is a popular method for division in many microprocessor implementations. SRT division is similar to non-restoring division, but it uses a lookup table based on the dividend and the divisor to determine each quotient digit. The basic algorithm for binary (radix 2) non-restoring division is:

1. Load a and b into A and B registers (Figure A.2)
2. If B has k leading zero, shift B and (P,A) left k bits
3. For $l=0, n-1$,
 - a) If top 3 bits of P are equal, set $q_l=0$ and shift (P,A) one bit left.
 - b) If top 3 bits of P are not equal and P is negative, set $q_l=-1$ (write as $\bar{1}$) shift (P,A) one bit left, add B.
 - c) Otherwise, set $q_l=1$, shift (P,A) one bit left, sub B.
4. If final remainder is negative, correct the remainder by adding B; correct the quotient by subtracting 1 from q_0 .
5. Shift remainder k bits right.

D. Vedic Architecture: Nikhilam Sutra

Vedic Sutra, Nikhilam can be further extended to carry out Binary Division as an alternative to conventional algorithm. Assume that, A and B are dividend and divisor respectively. Dividend is n-bits wide. The flowchart diagram can be executed as follows:

- a) Initialize the incrementer with '0'.

- b) Determine the complement B with respect to 2n assume the complemented result is equal to B'.
- c) Add B' with A. If the carry is '1', then feed the result to the adder.
- d) Increment the content of the incrementer by one.
- e) Repeat step-3 until the result is less than B.
- f) The final result of the incrementer is the quotient and result from the adder is the remainder.

III. PROPOSED DIVISION ALGORITHM

This paper deals with the efficient algorithm which incorporates the positive attributes of the division architectures mentioned. The division algorithm find its limitations with the wide increase in the number of bits as this paper deals with the floating point representation where mantissa of dividend and divisor are each 23-bit wide.

The basic algorithm for the proposed design as follows:

First and foremost, the sign-bit of result is obtained by performing logical XOR of sign bits of dividend and divisor. The Exponent is evaluated by subtracting 8-bit exponent of divisor from 8-bit dividend and then adding the bias value (+127). Lastly, 23-bit mantissa of the result is computed using division logic for which stepwise procedure enlisted below.

1. Pad leading zeroes before the dividend making its width, double the width of mantissa.
2. Pad a leading zero before a divisor and trailing zeroes after the divisor making its width, double the width of mantissa.
3. Perform subtraction of dividend and divisor.
4. If the difference is negative Put 0 in the quotient else 1.
5. Right Shift divisor
6. Left Shift quotient

Fig. 2 shows the example based on proposed algorithm where a decimal number 12 is divided by decimal number 3. Architectural block diagram of the proposed design is shown in Fig. 3.

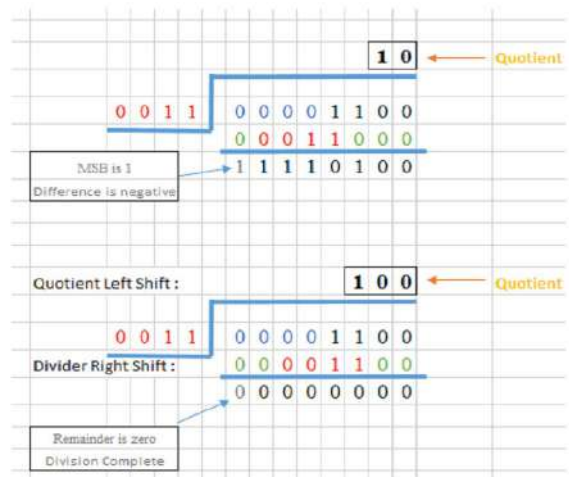


Fig. 2 Floating point Vedic Divider Illustration
12 divided by 3

IV. DESIGN IMPLEMENTATION

Verilog HDL code for Division of IEEE-754 Single Precision Numbers is being developed and then is simulated using ModelSim SE Plus 6.5. Verilog HDL code was break down into modules which deals with the division of 23-bit dividend and 23-bit divisor. code is also written for exponent addition and normalisation process. Top module connects all of them as shown in Fig. 4. Various sets of inputs are fed to the top modular block to get the results. The further part of the document deals with simulation and synthesis results.

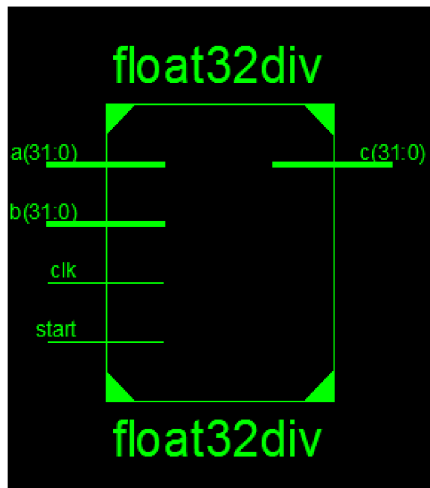


Fig. 4 Single Precision Vedic Divider: Block Diagram

A. ModelSim Simulation

Consider division of two decimal numbers, 73.68 and 73.68 fed as $A = 73.68$ (0 10000101 00100110101110000101001) and $B = 73.68$ (0 10000101 00100110101110000101001) were fed to the algorithm to get the desired output as $C = 1$ (0 01111111 000000000000000000000000) as shown in Fig. 5.

B. Xilinx ISE Synthesis

Verilog HDL Code for division of IEEE-754 Single Precision (32-bit) numbers are then synthesized for device XC5VLX30 having package as FF324 of VirtexTM-5 FPGA family. From the datasheet cited in, this device has following attributes manifests in Table I.

TABLE I
XILINX VIRTEXTM-5 XC5VLX30 ATTRIBUTES

Device	CLB Array (One CLB = Four Slices × 2)			Total Slices	Max. User I/O
	Rows	Column	Total		
xc5vlx30	80	30	4800	19,200	220

Table II shows the Device Utilisation Summary of the Verilog HDL code, so written, it is been observed that number of device parameters used are very less. Hence, an optimum Device Utilisation is obtained.

From the timing report obtained, it is found that the maximum combinational path delay is 5.405 ns. Maximum combinational path delay is only for paths that start at an input to the design and go to an output of the design without being clocked along the way. Also, it is estimated that it can operate with the maximum frequency of 326.163 MHz.

V. PERFORMANCE ANALYSIS: VEDIC VERSUS CONVENTIONAL

It can be easily deduced from the Table III which shows the performance analysis of the Vedic divider with that of conventional dividers that Vedic dividers are more optimistic.

TABLE II
FLOATING POINT VEDIC DIVISION (SINGLE PRECISION):

Device Utilization Summary			
Slice Logic Utilization	Used	Available	Utilization
Number of Slice Registers	120	19,200	1%
Number used as Flip Flops	120		
Number of Slice LUTs	159	19,200	1%
Number used as logic	159	19,200	1%
Number using O6 output only	155		
Number using O5 and O6	4		
Number of occupied Slices	54	4,800	1%
Number of LUT Flip Flop pairs used	182		
Number with an unused Flip Flop	62	182	34%
Number with an unused LUT	23	182	12%
Number of fully used LUT-FF pairs	97	182	53%
Number of unique control sets	2		
Number of slice register sites lost to control set restrictions	4	19,200	1%
Number of bonded IOBs	98	220	44%
Number of BUFG/BUFGCTRLs	1	32	3%
Number used as BUFs	1		
Average Fanout of Non-Clock Nets	2.37		

TABLE III
PERFORMANCE ANALYSIS:
PROPOSED WORK (VEDIC) VERSUS
CONVENTIONAL

Parameters	This Work	[6]	[9]	
Number of bits	23	9	M	
Target Device	Virtex 5 XC5VLX30 -3 FF324	Spartan 3 XC3S100E -5 VQ100	Spartan 3E XC3S500E	
Number of Slices	54	103	Restoring 229	Non - Restoring 447
Number of 4-input LUTs	159	176	---	---
Number of IOBs	98	38	---	---
Maximum Frequency (MHz)	326.163	---	12.63	53.77

Number of slice LUTs used in the design are pretty less, 159 whereas other algorithms based dividers are normally hooked to 176. Also one can visualize that this proposed divider is just consuming 54 number of slices compared to other algorithms which utilize minimum of 103 to 447 number of slices. Thus, there is near about 12% improvement in the utilisation of

the resources, thereby enhancing the packaging density. This proposed design can be operated on the processor clocked with 326.16 MHz, Thus, computational speed is more as compared to other design which operates with maximum frequency of 53.77 MHz. The maximum combinational delay incurred is just a meagre value of 5.405 nanoseconds. Power consumption of proposed design is drastically reduced to 2 mW, whereas traditional ALUs are consuming more power. Since, proposed design consumes less power, so bulky heat-sinks or extensive blowers can be eliminated. This makes the installation of processor simple and can be equipped with portable or mobile devices.

CONCLUSION

The importance and usefulness of floating point format nowadays does not allow any discussion. Any computer or electronic device, which operates with real numbers, implements this type of representation and operation. Division is one of the most important arithmetic operation. Various architectures were proposed which include recursive iterations to increase the computational performance of the ALU. The proposed design uses ancient Math technique which pad zeroes for dividend. By means of logical shift, the estimated results were obtained. Synthesis results obtained provides better results in terms of computational speed and area utilization thereby reducing the size of silicon dye used. Also reduces the size and cost of the device. Moreover, less time delay incurred leads to fast computation and speedy calculations. Power dissipation has been reduced, which can eliminate the need of extensive cooling

mechanism comprising thermal gels and blowers. Thus, proposed divider is more efficient than traditional ALUs and serve as better optimisation technique as per today’s need and wants.

REFERENCES

- [1] Alex N. D. Zamfirescu, “Floating Point Type for Synthesis”, CA USA, 2000.
- [2] Prabir Saha, Arindam Banerjee, Partha Bhattacharya, Anup Dandapat, “Vedic Divider: Novel Architecture (ASIC) for High Speed VLSI Applications” in International Symposium on Electronic System Design, pp. 67-71, Oct. 2011.
- [3] Deepa and Sanal's (2005) Vedic Mathematics [Online]. Available: <http://www.sanalnair.org/articles/vedmath/intro.htm>
- [4] Diganta Sengupta, Mahamuda Sultana, Atal Chaudhuri, “A New Paradigm in Fast BCD Division using Ancient Indian Vedicmathematics Sutras” pp. 11-19, 2013.
- [5] Sherif Galal, Dung Pham, “Division Algorithms and Hardware Implementations” in EE 213A: Advance DSP Circuit Design, 2000.
- [6] Sukhmeet Kaur, Suman, Manpreet Singh Manna, Rajeev Agarwal, “VHDL Implementation of Non Restoring Division Algorithm using High Speed Adder/Subtractor” in International Journal of Advanced Research in Electrical, Electronics and Instrumentation Engineering” Vol. 2, Issue 7, pp. 3317-3324, July 2013.
- [7] R. Tamil Chelvan and S. Roobini Priya, “Implementation of Fixed and Floating Point Division using Dhvanjanka Sutra” in International Journal of VLSI and Embedded Systems, pp. 234-237, Apr. 2013.
- [8] Virtex-5 Family Overview datasheet, Xilinx 2009.
- [9] Bojan Jovanovic, Milun Jevtic, “FPGA Implementation of Throughput Increasing Techniques of the Binary Dividers” in International Scientific Conference, Gabrovo, Nov. 2010.

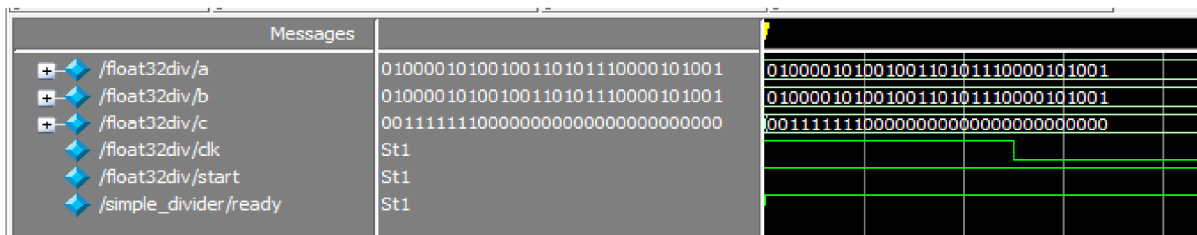
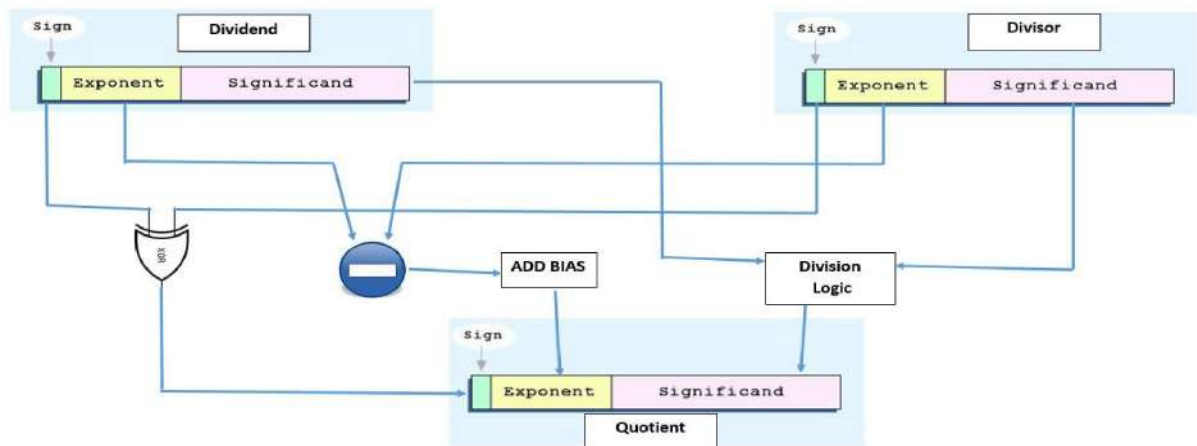


Fig. 5 Floating Point Vedic Division (Single Precision): Timing Diagram 73.68 ÷ 73.68 = 1



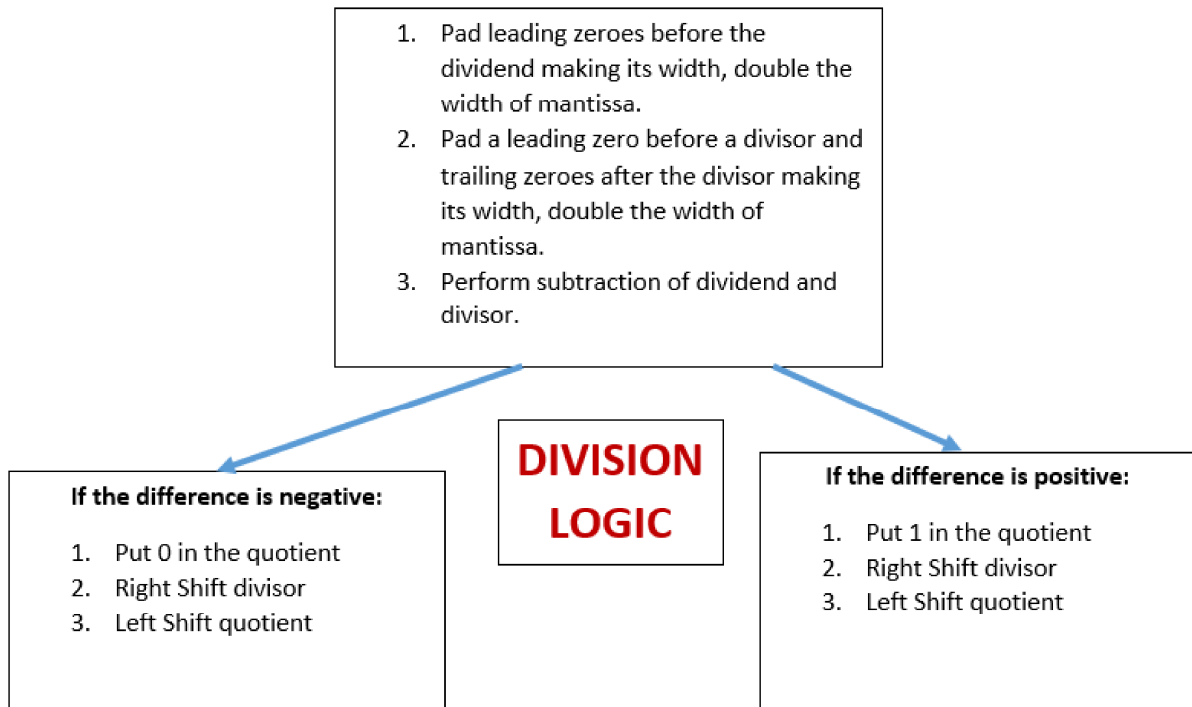
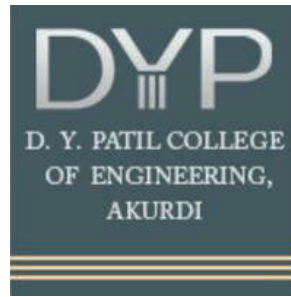


Fig. 3 Floating Point Vedic Division: Architectural Block Diagram

★★★

National Symposium: "Innovations in Teaching-Learning Process"

December 08, 2018



SOUVENIR

D Y PATIL COLLEGE OF ENGINEERING, AKURDI, PUNE

NATIONAL SYMPOSIUM ON

INNOVATIONS IN TEACHING-LEARNING PROCESS

DECEMBER 08, 2018 [SATURDAY]

IN ASSOCIATION WITH



**INDIAN SOCIETY FOR TECHNICAL EDUCATION
[ISTE]**

AND



COLLEGE OF ENGINEERING, PUNE [COEP]

National Symposium: INDEX				
Paper No.	Extended Abstract Title	Authors	Institution	Page No.
1	Understanding semiconductor device geometry & construction with 3-d modeling	Swapnali Makdey, Jayen Modi, Dr Deepak Bhoir	Fr. Conceicao Rodrigues College of Engineering, Bandra, Mumbai	1
2	Teaching small signal (ac) amplifiers using bloom's taxonomy	Jayen Modi, Dr Deepak Bhoir	Fr. Conceicao Rodrigues College of Engineering, Bandra, Mumbai	3
3	Effective Teaching Strategy for the Classroom	Dr Kailash Shaw	DYPCOE, Akurdi, Pune	5
4	Effective Implementation for bridging the curriculum gap to enhance practical knowledge of students	Vinita Yerande, Nitin Mane	DYPCOE, Akurdi, Pune	8
5	Evolving teaching - learning process in innovating way	Dr Rahul Kumar Hingole, Nagraj Dixit	DYPCOE, Akurdi, Pune, JSPM Pune	10
6	Jigsaw based cooperative learning-A Promising tool to attain learning outcomes- A Case Study	Tejaswini Desai , Deepti Kulkarni	KIT Kolhapur	12
7	Four board teaching method: a student centered learning method	Vijaykumar S Jatti	DYPCOE, Akurdi, Pune	17
8	Game pedagogy: a learner centric method	Mrs. Aarti Utikar	DYPCOE, Akurdi, Pune	20
9	Recent trends in teaching and learning process	Abhijit J.Patankar , Dr.Kotrappa Sirbi , Dr.Kshama V. Kullhali	DYPCOE, Akurdi, Pune KLEMKKS Belgavi, Karnataka, DYP CET, Kolhapur	22
10	Development Inverting (Flipped) the Classroom in an introductory tool for Mechanics of Material Course	Dr N K Kamble	DYPCOE, Akurdi, Pune	25
11	Implementing flipped classroom as innovative method in teaching learning process	Nirmala H Bhingare , Swati K Dhamale	DYPCOE, Akurdi, Pune	29
12	Interactive teaching-learning methodology using moodle	Vaibhav Godbole , Heenakausar Pendhari	Fr. Conceicao Rodrigues College of Engineering,	31

National Symposium: INDEX				
Paper No.	Extended Abstract Title	Authors	Institution	Page No.
13	Outcome Based Education: Teaching-Learning Process for Metrology and Quality Control	Anup Chapple, Samadhan Bhosale	DYPCOE, Akurdi, Pune	33
14	Open education resource on heat transfer: an effective ICT tool for faculty and students	Dr.A.Padmaja , Md.Sikindar Baba	Vidyajyothi Institute of Technology, Hyderabad, Anurag Group of Institutions,Hyderabad,Telangana,India	38
15	Researching Innovations in Teaching, Learning and Assessment	Jayanth J , Gururaj K S	GSSSIETW, Mysore	44
16	Flipped classroom technique for developing ability to solve numericals	Swapnil Taware	DYPCOE, Akurdi, Pune	51
17	CO-Learning with PG Students for attainment of PG Program Outcomes	Prof. Dr. Mrs. P. Malathi	DYPCOE, Akurdi, Pune	53
18	Poster making, a tool for effective teaching-learning	Mr.Sudhir More, Dr. Rahul Kumar Hingole	Marathwada Mitra Mandal, Lohagaon, Pune, DYPCOE, Akurdi, Pune	55
19	Directive based inductive and deductive technique in teaching-learning revelation	Sachin Marjapure, Aniket Hase	DYPCOE, Akurdi, Pune	58
20	Hydraulic System Design	Santoshkumar Bawage , Vikram Kulkarni	DYPCOE, Akurdi, Pune	60
21	Teaching and Learning Improvement through Outcome Based Education Framework and Technology e-learning assistance.	Tushar Bagul, Sandeep Shiyekar, Ashok More, B S Balapgol	DYPCOE, Akurdi, Pune	64
22	Poster presentation for a participative learning experience	Jayen Modi, Vaibhav Godbole	Fr. Conceicao Rodrigues College of Engineering, Bandra,	66
23	Advanced Blended Learning Framework for Twenty First Century Pedagogies of Engineering Education as per Industry 4.0	Prof. Dr. Vijay M Wadhai	DYPCOE, Akurdi, Pune	68

NATIONAL SYMPOSIUM ON INNOVATIONS IN TEACHING-LEARNING PROCESS

INTERACTIVE TEACHING-LEARNING METHODOLOGY USING MOODLE Vaibhav Godbole^a, Heenakausar Pendhari^b

^aProf., Assistant Professor, Fr. Conceicao Rodrigues College of Engineering, Mumbai, 400050, Maharashtra, University of Mumbai.

^bProf., Assistant Professor, Fr. Conceicao Rodrigues College of Engineering, Mumbai, 400050, Maharashtra, University of Mumbai.

Corresponding author's email address ^a - godbole@fragnel.edu.in
^b - heenak.pendhari@fragnel.edu.in

ABSTRACT

This paper introduces the teaching methodology of "Database Management System" for the electronics engineering students of Fr. Conceicao Rodrigues College of Engineering, Mumbai using Learning Management System (LMS) such as Modular Object Oriented term Developmental Learning Environment (Moodle). Our analysis shows that features of Moodle not only help students in self learning the subject but it also helps teachers in conducting various activities like quiz and flipped classroom and generate report of the activities automatically. The Moodle activities not only saves the paper because all the activities will be carried out Online but it also saves teacher's time for evaluation

INTRODUCTION

Because of various advantages including flexible learning times and effective learning, LMS has been widely used in higher education. Modular Object Oriented term Developmental Learning Environment (Moodle) [1], also recognized as a LMS, and is a course management system through the Internet / Intranet. There are number of advantages using Moodle, for example, student-teacher interactions, student independence, and allow students more flexible time for learning, etc. Moodle can be installed at any number of servers without any cost and it is no need to pay maintenance costs for enhancing the system. From the students' perspective, Moodle provide them with the ability to access the course materials, delivered by the instructors, and use communication and interactive features in their learning activities. Educational institutions widely use this system to enhance their traditional teaching. The users around the world, such as universities, schools, teachers, instructors, courses, and societies, use this learning platform [1]. This research aims to investigate the use of Moodle management system as a part of teaching process related to "Database Management System", to improve the teaching and learning techniques and to know the usefulness of Moodle usage

METHODOLOGY

On our Moodle users were created class-wise. Every user was having user-id and password, which can be linked to password management system such as LDAP. The "Database Management System" course was created by Moodle administrator and students were assigned by the administrator as users. Fig. 1 shows Main course page of "Database Management System", Fig. 2 shows assignment and expt. page, Fig. 3 shows some features of Moodle. Multiple choice questions were asked in timer-based quiz with automatic grading. Crosswords were formed using short answer questions.

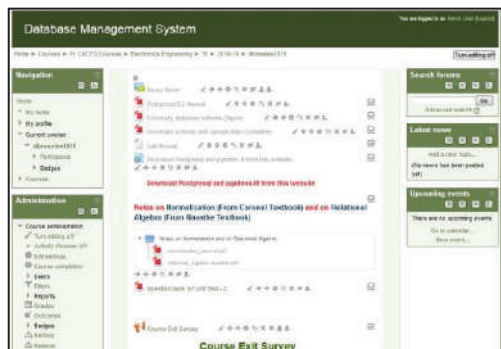


Figure 1 Main course page



Figure 2 Expt., assignment, and crossword

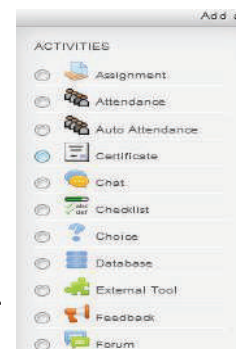


Figure 3 Moodle features

NATIONAL SYMPOSIUM ON INNOVATIONS IN TEACHING - LEARNING PROCESS

POSTER PRESENTATION FOR A PARTICIPATIVE LEARNING EXPERIENCE

Jayen Modi^a, Vaibhav Godbole^b

^{a,b}Assistant Professor, Electronics Engineering Department, Fr. Conceicao Rodrigues College of Engineering, Bandra, Mumbai - 400050, Maharashtra (Affiliated to University of Mumbai)

^a - jayen.modi@frcrce.ac.in, ^b - godbole@frcrce.ac.in

ABSTRACT

The objective of poster presentation activity was to hone students' presentation skills & unleash their creativity by preparing A1/A2 size posters of various discrete topics in which the students would embark upon a self-study culture by presenting & explaining their work through the poster medium in front of the whole class. In this technique students were given the complete liberty to not only explore topics at their own pace, but to also question the topic contents by referring to any other verified alternate means. It gave them a sense of belonging in the course by inculcating freedom of expression rather than being dictated to in monotonous manner, as in traditional approaches.

INTRODUCTION

To impart engineering education in the 21st century to the millennial stakeholder students, it is extremely imperative that a full duplex communication channel be established between the teacher & the student [1]. This is to ensure that the subject topic or module under consideration is not only appreciated, understood & accepted well by the students, but also they also get to be a part of a 'live' process which inculcates a feeling of participation wherein their efforts are taken into account & a feedback is established so that students get an active feeling & satisfaction that they are an integral part of the activity or process [2]. Keeping this in mind, the poster presentation activity was conducted for the module of 'Special Semiconductor Devices' in subject of 'Electronic Devices & Circuits - II' where students were an active & integral part of the teaching-learning process having done their own research, followed up their own homework, designed their own 'curriculum' & presented their own views to the whole class on the subject topic that was allocated to them. The subject teachers assisted them in solving technical queries they faced.

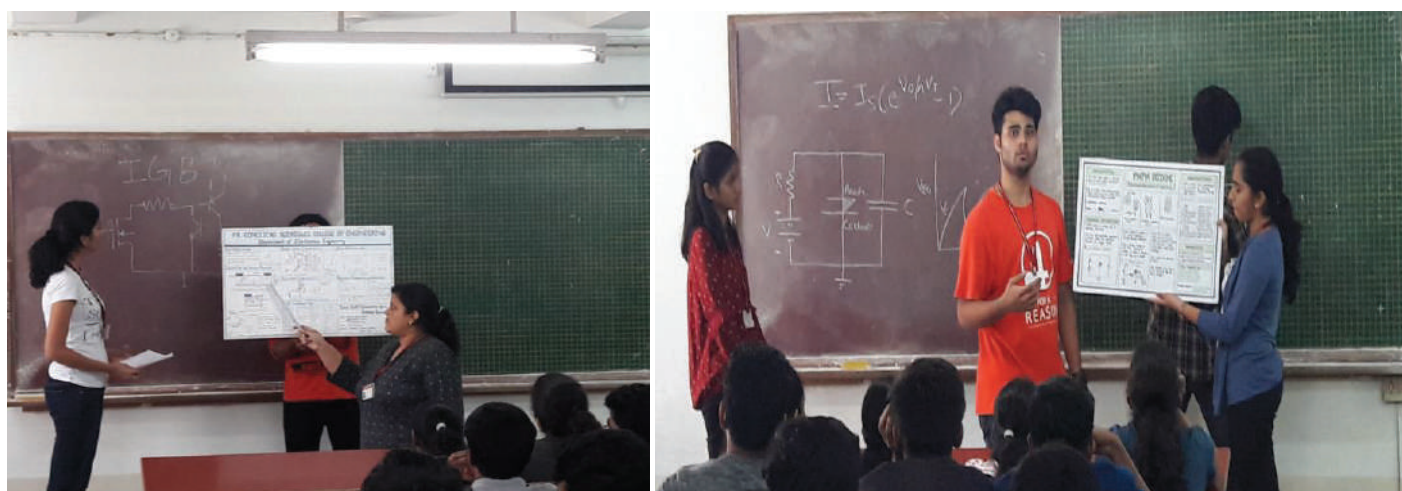


FIG 1: Students engaged in poster presentation activity for participative learning



ISO 9001:2015
Certified
Institute

NBA
Accredited
Programs

NAAC Accredited
Institute
with 'A' Grade

AICTE-CII Survey rating
in Platinum category for
Industry linkages

78th All India Rank
published in Outlook
survey on 24th May 2018

Among Top 200 Colleges in the Country
Ranked 193rd in NIRF India Ranking 2019
in Engineering Category



www.facebook.com/tcetmumbai

www.twitter.com/tcetmumbai



MULTICON-W 2019

February 22nd & 23rd 2019, Friday & Saturday



Chief Editor
Dr. B. K. Mishra

Laugha Singh Charitable Trust's (Regd.)

THAKUR COLLEGE OF ENGINEERING & TECHNOLOGY

(Approved by AICTE, Govt. of Maharashtra & Affiliated to University of Mumbai)

A - Block, Thakur Educational Campus, Shyamnarayan Thakur Marg, Thakur Village, Kandivali (East), Mumbai - 400 101
Tel.: 022-6730 8000 / 8106 / 8107 Telefax: 022-2846 1890 • Email: tcet@thakureducation.org
Website: www.tcetmumbai.in www.thakureducation.org



MULTICON-W 2019

A Platform for Multiple Conferences and Workshops

10th National & International Conferences & Workshops

Chief Editor
Dr. B.K. Mishra

February 22nd & 23rd 2019, Friday & Saturday

Thakur College of Engineering & Technology, Mumbai



McGraw Hill Education (India) Private Limited



Published by McGraw Hill Education (India) Private Limited
444/1, Sri Ekambara Naicker Industrial Estate, Alapakkam, Porur, Chennai 600 116

MULTICON-W 2019

Copyright © 2019 by McGraw Hill Education (India) Private Limited.
No part of this publication may be reproduced or distributed in any form or by any means, electronic, mechanical, photocopying, recording, or otherwise, stored in a database or retrieval system without the prior written permission of the publishers. The program listing (if any) may be entered, stored and executed in a computer system, but they may not be reproduced for publication.

This edition can be exported from India only by the publishers,
McGraw Hill Education (India) Private Limited.

ISBN (13): 978-93-5316-754-7
ISBN (10): 93-5316-754-X

1 2 3 4 5 6 7 8 9 D103074 23 22 21 20 19

Printed and bound in India.

Managing Director: *Lalit Singh*

Senior Portfolio Manager—Higher Education: *Hemant K Jha*

Portfolio Manager—Higher Education: *Navneet Kumar*

Production Head: *Satinder S Baveja*

Assistant Manager—Production: *Anuj K Shrivastava*

General Manager—Production: *Rajender P Ghansela*

Manager—Production: *Reji Kumar*

Information contained in this work has been obtained by McGraw Hill Education (India), from sources believed to be reliable. However, neither McGraw Hill Education (India) nor its authors guarantee the accuracy or completeness of any information published herein, and neither McGraw Hill Education (India) nor its authors shall be responsible for any errors, omissions, or damages arising out of use of this information. This work is published with the understanding that McGraw Hill Education (India) and its authors are supplying information but are not attempting to render engineering or other professional services. If such services are required, the assistance of an appropriate professional should be sought.

Power Consumption and Delay in Wireless Sensor Networks Using N-Policy M/M/1 Queuing Model

Sanjeev Ghosh
Associate Professor,
Dept. of Electronics & Telecommunication Engineering
Thakur College of Engineering & Technology
Mumbai, India.
sanjeevghosh@gmail.com

Dr. Srija Umikrishnan
Professor,
Dept. of Electronics Engineering Fr. Conceicao Rodrigues
College of Engineering
Mumbai, India
srija@fagnel.edu.in

Abstract—Technological advancements in low power integrated circuits and wireless communications have made it possible to use efficient, low cost, low power small devices in remote sensing applications. This has led to the feasibility of using a network of sensors to be used for the collection, processing, analysis and distribution of important information, collected in a wide variety of environments. Sensor nodes in a wireless sensor network transmit data in single or multi-hop to a central node called the base station. A very important issue in wireless sensor networks is the scarcity of power and hence optimal use of available power is of prime importance. It is seen that in any sensor node, switching from idle to busy state and vice versa takes up a major portion of the power. We study and analyze a technique that aims to reduce the number of these in order to reduce the consumption of power. In this technique the radio of the sensor node is switched on only when the number of packets in a queue exceed a certain threshold as opposed to the general tendency of transmitting a packet as soon as it is available for transmission. This however introduces delay in the processing of the packets. We analyze the performance of this system with respect to the power consumption and mean waiting time. The simulations performed show that the simulation results are close to the theoretical results thus indicating the validity of the technique studied.

Keywords—Wireless Sensor Network; Queuing Theory;

INTRODUCTION

A WSN comprises of a large number of sensor nodes that are typically distributed over a wide area. The WSN also comprises of a node that acts as an information collector and is referred to as the sink node. These sensor nodes usually consist of a sensing unit, a battery and a radio. In typical deployment scenarios, the sensor nodes may be deployed in remote, unattended, and hostile environment in large numbers. In some applications, the physical size of a sensor node is kept as small as possible for stealthy missions and cost cutting. In most cases, sensor nodes in WSN are fitted with non-rechargeable batteries and have a limited lifetime. It may be difficult to recharge or replace their batteries due to their remote or hostile locations. This fact gives rise to major design issues in WSN, which is to reduce power consumption

and to increase the lifetime of sensor nodes as much as possible [1][2].

Data packets usually originate at the sensor nodes as a result of its sensing activities. Moreover the sensor also behaves as a router to route the packets that arrive from other nodes. The data that are generated at the sensor nodes as well

as the ones routed by the nodes must all reach a sink node in sensor network. The traffic in a wireless sensor network usually has a many-to-one pattern, where nodes that are located nearer to the sink bear a heavy burden of the traffic. As a result, it is seen that the nodes around the sink would consume their energy much faster, leading to the eventual death of the node. This problem is known as the energy-hole problem [3]. If an energy hole appears, then packets cannot be delivered to the sink anymore. The longevity of a WSN entirely depends on the life of sensor nodes that are closer to the sink of the WSN. As described in [4], there are four main sources of power consumption: collision, overhearing, control packet overhead, and idle listening.

Overhearing and idle listening use power by keeping the radio receiver in an ON state without actually getting any useful information. However, compared with the other three types of power consumption for a generic node, packet collisions lead to energy waste which is much more. Medium contention in a contention-based protocol is one of the main reasons of packet collisions among sensor nodes. Shih et al [5] have demonstrated that power consumption is very high in case of the radio transmitter switching from one mode to another. Here, we study an approach to alleviate total average times of both medium contention and mode switching of radio receiver [3]. The approach discussed here is based on N-policy M/M/1 queuing model.

The nodes located near the sink of the WSN use more energy than other nodes because of the larger forwarding burden. This would lead to a faster depletion of the battery and eventually to the

failure of the WSN. From the angle of queuing theory, the larger forwarding burden implies that the average arrival rate of packets at the nodes closer to the sink is higher than that of nodes farther away from the sink. To alleviate this problem, an optimal N criterion is adopted for a queue based scheme. A queue threshold, N, is specified which would imply that the node will wake up only after the node's buffer has at least N packets and the node switches back to idle state when there are no packets to be transmitted, in other words, the buffer becomes empty. In this scheme, when the node buffer is filled with N packets, the sensor node triggers its transmitter and starts transmitting the packets in the buffer in a burst. The optimal threshold value (N*) of N at which the sensor nodes use the least power is also determined.

In this paper, we present the mathematical expressions for the queue based approach and also data simulations with MATLAB tool are conducted on optimal queued values for mitigating power consumption. We also have conducted simulation of the queue based approach using MATLAB and the results are presented here that confirm the power saving achieved by the queue based scheme.

The rest of the paper is organized as follows: In section II, we present the system model. In section III, we discuss the mathematical preliminaries and provide numerical expressions for the average power consumption of a sensor node and the optimum value of N. We provide the values of various parameters used for evaluating the power consumption and also discuss the simulation of the system model in section III. We discuss the results of evaluation and simulation in Section IV. In section V, we provide the conclusion of our work.

II. SYSTEM MODEL

Here the operation of radio server in an N-policy M/M/1 queuing process under steady-state conditions is studied. The sensor node turns the transmission of radio on at a packet's arrival and off at service completion epochs. We have made an assumption that packets arrive at a node following a Poisson process with mean arrival rate λ . The radio service times follow an exponential distribution and has a mean $1/\mu$. A scheme is studied in which a sensor node switches to busy state i.e. starts its radio transmitter when the node's buffer is filled at least with number of packets equal to the threshold (N) and the node switches to the idle state when there are no packets to be transmitted remaining in the buffer. Such switching actions between idle state and busy state and vice versa are referred to as transitions. Since the main aim is to minimize the power consumption of individual sensor nodes by

reducing the number of transitions, we study the behavior of a single sensor node when this scheme is implemented.

Let's first have a look at the mathematical preliminaries for the N-policy Markovian queuing system [6]. The analytic steady state results are presented for a single sensor node. For our analytical model, the following notations are used.

- n Number of packets in the sensor node's buffer
- N Threshold number of packets
- λ Mean arrival rate per node
- $1/\mu$ Mean service time
- PI (n) Probability that the sensor is in idle state when there are 'n' packets
- PB (n) Probability that the sensor is in busy state when there are 'n' packets
- PI Steady state probability that the sensor is in idle state
- PB Steady state probability that the sensor is in busy state
- L Mean number of packets in the sensor node's buffer

The state-transition-rate diagram for the N-policy M/M/1 queuing system is shown in Fig.1. In Fig.1, there are two chains of horizontal circles associated with the state of the radio server. The upper and lower chains represent the idle state and the busy state of the radio server, respectively. Each circle with number in it denotes that the number of data packets queued in the sensor node for that state.

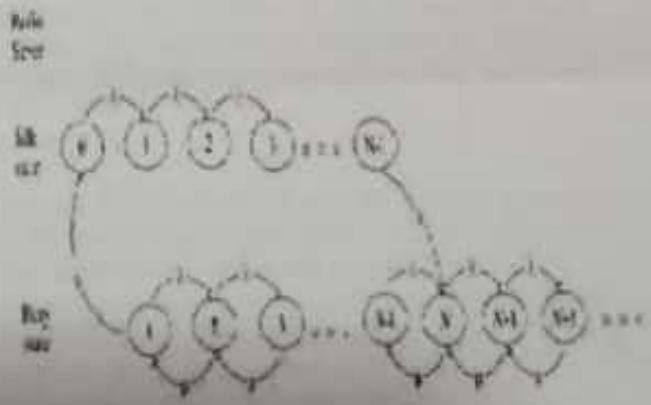


Fig. 1. State-transition diagrams for the N-policy M/M/1 queuing [3]

The value λ is the mean arrival rate of data packets into the sensor node, and the value μ is the mean service rate of radio server. The steady-state equations for PI (n) and PB (n) are as follows:

The probability generating function (PGF) may be used to obtain analytic solution PI (0) since solving

ISBN: 978-1-7329562-0-9

017-09-24

of Rs 20845
this notice being appropriate
against you before appropriate
20- towards the legal charges in the
representative Mr. Sagar Parth
890188300 / 902900
representative / 890188300
lawyer / vijayraj@trinetra.co

COURT

SEP-19	OCT-19	AUG-19	JAN-20	NOV-19	MAR-20
...

Digitized by Srujanika

Viswa Mahavidyalaya,
Chittoor, Tamil Nadu, India

Access provided by:
Fr.Conceicao rodrigues College of Engineering
 Sign Out

Browse

My Settings

Get Help

Advertisement

Conferences > 2018 International Conference...

Using GRBL-Arduino-based controller to run a two-axis computerized numerical control machine

Publisher: IEEE

2 Author(s) Sakib Shaukat Sarguroh ; Arun Bhiva Rane [View All Authors](#)

82
 Full
 Text Views

Abstract

Document Sections

- I. Introduction
- II. Background
- III. Methodology
- IV. System Design
- V. Results and Discussion

Authors

Figures

References

Keywords

Metrics

More Like This

Abstract: The proprietary control of CNC machines results in the inability to control and enhance inputs because the program codes cannot be modified owing to their distribution by... [View more](#)

Metadata

Abstract: The proprietary control of CNC machines results in the inability to control and enhance inputs because the program codes cannot be modified owing to their distribution by vendors in the compiled form. In this paper, we present a method to utilize a GRBL-Arduino based controller to run a simple two-axis computerized numerical control (CNC) machine. We obtained drawing file by converting a JPG or PNG image of a hexagon or a circle into a drawing file using the software application *Img2CAD*. Two-dimensional manufacturing was carried out on the obtained drawing file to generate the G-code file by the CAD/CAM software application *UG NX*. The G-code file generated is given as input to the GRBL-Arduino based controller using the Java-based Windows application *Universal GcodeSender (UGS)*. *UGS* is linked to the Arduino Uno and GRBL shield V5 hardware via a serial communication port. Before executing the G-code program, the circle or hexagon to be drawn can be visualized using G-code visualizer option in *UGS*. G-code program was executed through *UGS* to run two 2.6 kg-cm stepper motors for motion along x and y-axis direction via drivers incorporated on the GRBL-Arduino controller. These stepper motors were part of a simple two-axis CNC machine comprising aluminum angle brackets, chromed chords, linear motion bearings, a timing belt, and a timing pulley. Stepper motors cause motion of the mentioned mechanical components to draw desired image of circle or hexagon. This work can be extended to develop a three-axis CNC machine by utilizing the third inbuilt stepper driver of the GRBL shield V5; in this study, we used only two of the three inbuilt stepper drivers for the stepper motors. Using the third driver will facilitate the use of a third axis so that the machine can function as a milling machine. Hardware for the third axis must be developed to incorporate a z-axis motor.

Published in: 2018 International Conference on Smart City and Emerging Technology (ICSCET)

More Like This

Development of interface and coordination for control module CNC PCB milling machine
 2015 International Symposium on Intelligent Signal Processing and Communication Systems (ISPACS)
 Published: 2015

CNC Milling Machine Spindle Characteristics Analysis by FEM
 2010 International Conference on Intelligent Computation Technology and Automation
 Published: 2010

[View More](#)

Top Organizations with Patents on Technologies Mentioned in This Article



Date of Conference: 5-5 Jan. 2018 **INSPEC Accession Number:** 18257499
 IEEE websites place cookies on your device to give you the best user experience. By using our websites, you agree to the placement of these cookies. To learn more, read our [Privacy Policy](#).
 Date Added to IEEE Xplore: 19 November 2018 **DOI:** 10.1109/ICSCET.2018.8537315

Accept & Close

Publisher: IFFF

IEEE websites place cookies on your device to give you the best user experience. By using our websites, you agree to the placement of these cookies. To learn more, read our [Privacy Policy](#).

Accept & Close

Access provided by:
Fr.Conceicao rodrigues College of Engineering
 Sign Out

Browse

My Settings

Get Help

Advertisement

Conferences > 2015 International Conference...

Improving the performance of assembly line: Review with case study

Publisher: IEEE

4 Author(s) Arun.B. Rane ; D.S.S. Sudhakar ; Vivek k. Sunnapwar ; Santosh Rane **View All Authors**

3 Paper Citations
622 Full Text Views

Abstract

Abstract: Context: Continuous Improvement in manufacturing to attain manufacturing excellence is today's requirement. It gives cutting edge over the competitors. This has developed... **View more**

Document Sections

- 1. Introduction
- 2. Research Objectives and Methodology
- 3. Literature Review
- 3.2 Mathematical Modeling Approach
- 4. Research Gaps

Metadata

Abstract: Context: Continuous Improvement in manufacturing to attain manufacturing excellence is today's requirement. It gives cutting edge over the competitors. This has developed lot of interest for the researchers during the last few years. Vehicle Assembly Line being the most complex Assembly line has been active area of research over years and has attracted many researchers. Objective: This paper systematically identifies and unfolds the important parameters by systematic review. Goal of this Research is to develop a novel classification of literature on Assembly Line and to improve the performance of vehicle assembly line using Lean implementation and Simulation approach.

Methodology: Total of 116 referred journal articles in the domain of Vehicle assembly are reviewed here. Data is sourced from 40 publications, majority of which includes Elsevier, IEEE, and Springer. Further a mathematical model is developed considering the effect of number of resources, Break time, Downtime of machines and Absenteeism. A real world case study is done for a period of one year in a reputed vehicle assembly manufacturing plant. Results: Analysis of research on Assembly Line Balancing and optimization within many different industrial scenarios has been done her. This paper contributes to existing domain by classifying and comparing the means for input data, constraints and methodology used. It has been classified into five heads. A real world case study is done in reputed Company. Cycle time was reduced from 110 seconds to 100 seconds.

Conclusion: It is difficult to perform the experiments like Design of Experiments (DOE) in complex manufacturing systems. Simulation allows us to test different concepts, various options without having to build prototypes. A case study done in Vehicle assembly shows the importance of Simulations to improve its performance measures. Limitations of the Research: The research does not completely optimize the production parameters. It improves the production sy...

(View more)

Published in: 2015 International Conference on Nascent Technologies in the Engineering Field (ICNTE)

More Like This

Modeling and Optimization of multiple product FMS using Colored Petri Net and Design of Experiment
 2007 IEEE International Conference on Networking, Sensing and Control
 Published: 2007

Performance comparison of the virtual cell layout with cellular and job shop configurations using simulation and design of experiments

2013 IEEE International Conference on Automation Science and Engineering (CASE)
 Published: 2013

View More

Top Organizations with Patents on Technologies Mentioned in This Article



IEEE websites place cookies on your device to give you the best user experience. By using our websites, you agree to the placement of these cookies. To learn more, read our Privacy Policy.

Accept & Close

IEEE websites place cookies on your device to give you the best user experience. By using our websites, you agree to the placement of these cookies. To learn more, read our [Privacy Policy](#).

Accept & Close

3rd International Conference on Innovations in Automation and Mechatronics Engineering,
ICIAME 2016

Optimization of Tube Hydroforming Process (without Axial feed) by using FEA Simulations

Rakesh A. Shinde^a, Dr. Bhushan T. Patil^b, Ketaki N. Joshi^c

^aDepartment of Production Engineering, Fr.CRCE, Bandra, Mumbai, 400050, India

^bAssociate Professor, Department of Production Engineering, Fr.CRCE, Bandra, Mumbai, 400050, India

^cAssistant Professor, Department of Production Engineering, Fr.CRCE, Bandra, Mumbai, 400050, India

Abstract

Tube hydroforming is the process of manufacturing light weight automotive components by applying fluid pressure. Success of Tube hydroforming process depends on best combination of material properties, process parameters, process sequence, and die geometry. Analysing the tube in square cross section die is simplest of hydroforming operation and the parameters effect can be further used for more complex hydroforming operation. In this work 3-D Finite Element model for the Tube Hydroforming (THF) developed using Creo Parametric 2.0, pre-processed using HyperMesh and solved using LS-DYNA explicit solver. This paper aims at identifying important parameters that affect the THF process without Axial feed. Taguchi's Design of Experiment technique is used to understand the effect of individual parameters as well as interaction of hydroforming process parameters such as die corner radius, length of tube, thickness of tube, internal pressure.

© 2016 The Authors. Published by Elsevier Ltd. This is an open access article under the CC BY-NC-ND license (<http://creativecommons.org/licenses/by-nc-nd/4.0/>).

Peer-review under responsibility of the organizing committee of ICIAME 2016

Keywords: Hydroforming; Process Parameters; DOE; Taguchi method; FEA Simulations; ANOVA

1. Introduction

The automotive industry demands of reduced emissions, improved performance and a more sustainable carbon footprint with more fuel efficient designs. These targets are achieved by developing lighter vehicles structure along with improved aerodynamics, more efficient engines. In order to achieve lighter structure, a developing novel shaping techniques called Tube Hydroforming is used nowadays for Manufacturing of tubular components of the a modern Vehicle. Tube Hydroforming is being used by automotive industry in past two decades, typically it involves tubular components in engine and exhaust systems, chassis, body, closing doors, hoods, etc. The main advantage that

the process offers is the ability to optimize the structure for weight and strength, while often offering at the same time superior crashworthiness.

Tube Hydroforming technique is well advanced manufacturing technique in which the tube to be formed is placed inside a die and internal pressure is applied by the fluid generally taken as water with non-corrosive additives [1]. For Successful hydroforming, the optimization of process parameters is required and process should fit in to the Forming limit Diagram (FLD). Detailed investigation of design and process parameters and selection of their optimal values is very crucial as it influences the quality and cost of the component produced and also affects the cost and quality of the final product. Finite element analysis is being preferred over experimental approach being economic and equally effective in predicting the process outputs subjected to various input parameters. Many researchers and industries are effectively using finite element approach for optimizing the hydroforming process.

Finite Element Analysis (FEA) permits arbitrary combinations of input parameters including design parameters and process conditions to be investigated with limited expense. Additionally FEA simulations are planned to further enlarge the knowledge base about particular parts using predetermined parameters varied over practical ranges, (Muammer Koc et.al (2000) [2]). The Taguchi method is applied to design an orthogonal experimental array, and the virtual experiments are analyzed by the use of the finite element method (Bing Li (2006) [3]). G.T.Kirdli, et.al [4], concluded that the thickness variation reduces if die corner radius is increased and tube wall thickness is affecting internal pressure, while maintaining the same thinning pattern. Matteo Strano, et.al [5], said shorter the tube length, the obtained protrusion height is larger. Sung-Jong Kang, et.al [6], they discussed the effect of changing tube diameter by using FEA simulations LS-DYNA as a FE code by taking vehicle bumper rail section as product after hydroforming. They concluded that by changing tube diameter slightly by 10% (increasing), remarkable reduction to about one-third in thinning rate and more uniform thickness distribution were predicted whichever loading path was applied to the prediction. Hossein Kashani Zadeh, et.al (2006) [7], simulated the effect of friction coefficient, strain hardening exponent and fillet radius on protrusion height, thickness distribution and clamping and axial forces for an unequal T joint using ABAQUS/EXPLICIT 6.3-1. The results were compared with experimental results and were found to in agreement with them, hence they concluded that FEM can be used as a reliable tool in designing tube hydroforming process to reduce costly experimental trials. A. Alaswad, et.al (2006) [8], they modeled bulge height and wall thickness reduction of a bi-layered T-shape component as a function of geometric factors using finite element modeling (FEM) and response surface methodology (RSM) for design of experiments(DOE). On the similar lines they analyzed formability and failures of T shape bi-layered tube hydroforming using ANSYS LS-DYNA pre-processor and LS-DYNA solver as a function of certain material properties and initial blank geometry and provided an optimum operating condition.

Kristoffer Trana (2002) [9], Lihui Lang et.al (2004) [10], Nader Abedrabbo et.al (2009) [11], studied the effect of axial feed and internal pressure on the thickness distribution using FEA simulations and found that the results were in good agreement with experimental findings. Shijian Yuan et.al (2006, 2007) [12,13] T. Hama, et.al (2006) [14], studied the wrinkling behaviour in THF using FEA. Muammer Koc (2003) [15], studied loading paths and effect of material properties on process output using FEA simulations verified by Experiments. Asheesh Soniu (2014) [16], investigated the effect of internal pressure on stress distribution using LS-Dyna Explicit solver. P. Ray et.al (2004) [17], Sung-Jong Kang et.al (2005) [6], M. Imaninejad et.al (2005) [18] Yingyot Aue-U-Lan, et.al (2004) [19], determined optimal loading path for THF process using simulations. Ken-ichi Manabe and Masaaki Amino (2002) [20], investigated the effect of Process parameters (friction coefficient, stress ratio) and material variables (n- and r-values) on thickness distribution using LS-Dyna. Bathina Sreenivasulu, et.al (2014) [21], proved experimentally that the strain hardening coefficient has higher influence over formability of the tubes so that for forming of materials with higher value of “n”, lower internal pressure needed. E. Chu, et.al (2002) [22], proposed and established the theoretical "Process Window Diagram" (PWD) based on mathematical formulations for predicting forming limits induced by various defects such as buckling, wrinkling and bursting of free-expansion tube hydroforming process. Kuang-Jau Fann, et.al, (2003) [23], carried out THF simulations and concluded that sequential optimization can lead to better forming results as loading path is having close control on process output. Fuh-Kuo Chen, et.al (2007) [24], found that the relation between hydraulic pressure and outer die corner radius predicted agrees well with FEM. The

hydraulic pressure required to deform a tube into a desired part shape depends on the material properties of the tube, tube thickness, and the minimum corner radius of the part shape. B.Sreenivasulu, et.al (2013) [25], modelled free bulge shaped tube die using Auto CAD, simulated THF using DEFORM-3D and found that wall thickness and the branch height are most sensitive to friction, axial load, and internal pressure. A. Aydemir, et.al (2005) [26], they developed an adaptive design method for T-shape tube parts based on finite element method using ABAQUS/Explicit, to avoid wrinkling and necking.

From the above literature review, it is evident that the Finite Element simulations are capable of predicting accurate behaviour of tube hydroforming process and can be used to reduce experimental efforts. The objective of this paper is to investigate and study the effect of significant process parameters and their interactions in order to improve the quality of Hydroformed tube.

2. Methodology

Taguchi method gives three stages in the process development: (1) system design, the engineer uses scientific and engineering principles to determine the basic configuration. (2) Parameter design, in this stage the specific values for the system parameters are determined (3) Tolerance design, it is used to specify the best tolerances for the parameters [3]. From these, Parameter design is the most important step in Taguchi method towards achieving high quality without increasing cost. So, in order to obtain the high Hydroformability, the parameter design approach proposed by Taguchi Method is adopted in this paper.

The Basic steps in the methodology are shown in the fig.1. Firstly the Quality characteristics and the controllable forming parameters are selected, and accordingly the Orthogonal array has been constructed. Based on the Orthogonal Array selected the finite element simulations are performed and results are tabulated in terms of average response for each factor. Statistical Analysis of variance (ANOVA) is performed to see the significant parameters. And then it is modified with the interaction of the significant parameters to obtain more information of their effect on the quality characteristics.

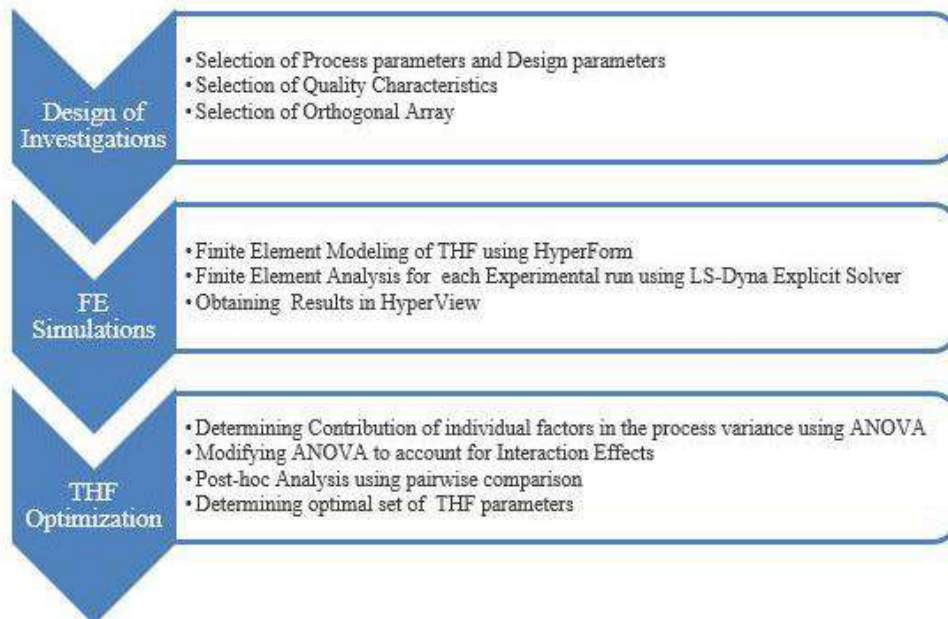


Fig. 1 Methodology for Optimization of Tube Hydroforming

2.1. FE Simulation Methodology

The tube and die geometry are prepared using CREO Parametric 2.0, then it is imported in to the Preprocessor Hyperform 12.0 for applying boundary conditions. After applying boundary conditions LS-DYNA R7.0 is used as a Solver. The output of the analysis stage is viewed using Hyperview. The tube diameter is 40 mm, and taking tube thickness at three level and is blown in to die cavity which is square shape having of side 44mm. Fig. 2 shows a screenshot of output of the analysis stage. The figure shows forming limit diagram (FLD) for the deformed tube.

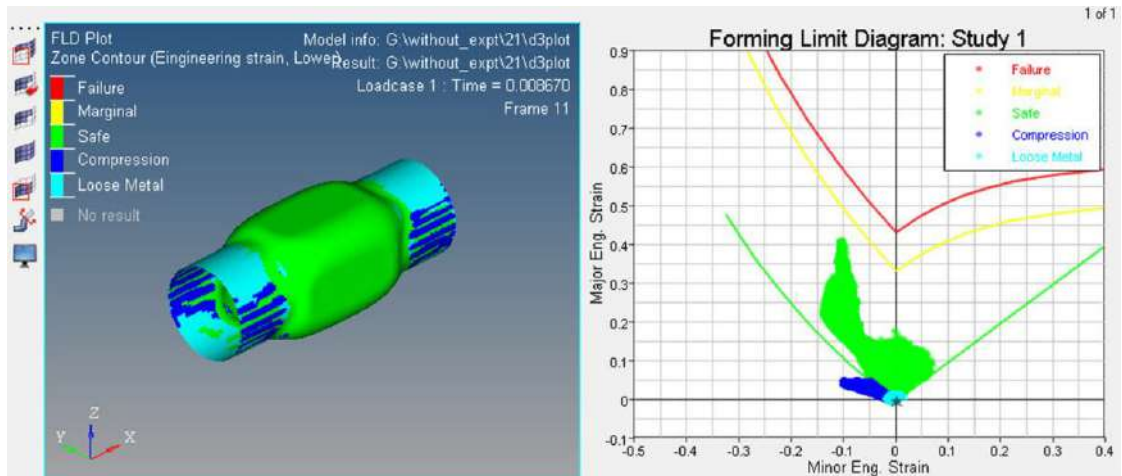


Fig. 2 Forming limit Diagram of the Hydroformed Tube

The material selected for hydroformed tube is CRDQ steel and its material properties are given in Table 1.

Table 1. Material Properties for CRDQ Steel used in the FEM Simulation

Material Parameters	Value
Density ρ (kg/m ³)	7800
Young's Modulus E (GPa)	210
Hardening Coefficient K (MPa)	550
Hardening Exponent n	0.21
Poisson's Ratio μ	0.3
Lankford Coefficient R	1.6

2.2. Determination of Quality Characteristic, Selection of Parameters and construction of Orthogonal Array

In the tube hydroforming process the primary requirement is to conform the shape of the die by the tube blank without any failure. The three main failure of this process are bursting, buckling, wrinkling. Among these three failures only wrinkling and buckling are recoverable. Bursting is fracture and hence cannot be recovered and causes necking because of which the percentage thickness reduction becomes an important output to be measure. Hence the Percentage thickness reduction is selected as a Quality characteristic.

Hydroformability is dependent on three categories of parameters viz., Geometry Parameters, Material Parameters, and Process Parameters (Table 2). The Four forming parameter are chosen at three levels each and Orthogonal Array L₂₇ is selected for the present study according to Taguchi's Method.

Table 2. Forming parameters with their levels.

Designation	Forming Parameters	Level 1	Level 2	Level 3
A	Die Corner Radius (mm)	4	6	8
B	Length of tube (mm)	120	140	160
C	Thickness of Tube (mm)	1	1.2	1.4
D	Internal Pressure (psi)	6000	6200	6400

3. Data Collection and Analysis

The Experiments are performed as per Taguchi's OA L₂₇ and the Average responses for maximum percentage thickness reduction for individual factors are as given in table 3 below.

Table 3. Average response for Percentage thickness reduction.

Factors		Average Response (% thickness Reduction)		
		Level 1	Level 2	Level 3
A	Die corner radius	20.0467	17.9811	20.2244
B	Length of Tube	18.8344	18.2633	21.1544
C	Thickness of Tube	20.2511	20.2100	17.7911
D	Internal Pressure	19.4211	19.4044	19.4267

The Fig. 3 shows Individual factors effect and clearly indicates that the percentage thickness reduction decreases as the level of factor A and B (Die corner radius and length of tube) changes from 1 to 2 and then increase as the level changes from 2 to 3. The percentage thickness reduction remains fairly constant for all levels of factor D (internal pressure). Whereas Percentage thickness reduction remains fairly constant for levels of the factor C (thickness of tube) from 1 to 2 and then decreases from 2 to 3.

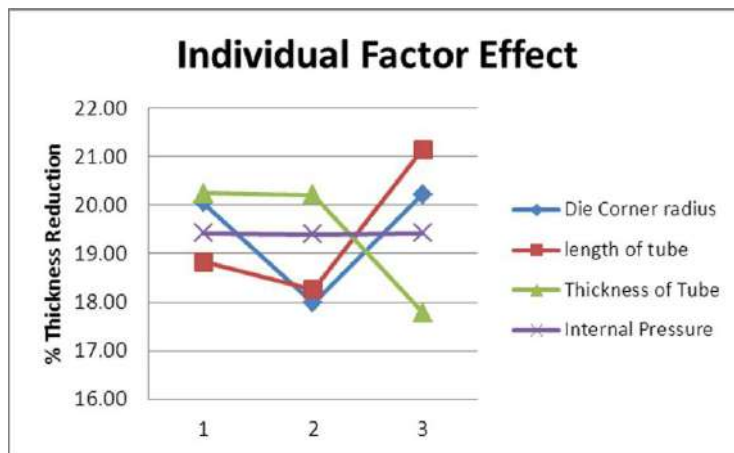


Fig. 3 Individual Factors Effect on Percent Thickness Reduction

The results of Analysis of the variance by considering the main effects of individual parameters as well as their interactions are shown below table 4. It clearly indicates that the factor A, B and C are significantly affecting the process and their interaction AXB is affecting as well. In order to study the interaction effects pair-wise comparisons are useful. For this study, we need to make a distinction between focal independent variable and moderate variable. The assigned independent variable i.e. a characteristic intrinsic to the participant such as Tube Length, tube thickness can be chosen as moderate variable and the active independent variable i.e. the one assigned or designed by the researcher such as die corner radius, internal pressure can be considered as the focal independent variable.

Table 4. Modified ANOVA Table for Percentage thickness reduction.

	SS	D.F	MSS	F	F critical at $\alpha = 0.10$	Remark
SS _A	27.9920	2	13.9960	7.1569	3.46	SIGNIFICANT
SS _B	42.2013	2	21.1006	10.7899	3.46	SIGNIFICANT
SS _C	35.7129	2	17.8565	9.1310	3.46	SIGNIFICANT
SS _D	0.0024	2	0.0012	0.0006	3.46	INSIGNIFICANT
SS _{AXB}	30.8593	4	7.7148	3.9450	3.18	SIGNIFICANT
SS _{AXC}	1.8408	4	0.4602	0.2353	3.18	INSIGNIFICANT
SS _{BXC}	15.1306	4	3.7827	1.9343	3.18	INSIGNIFICANT
SS _E	11.7336	6	1.9556			
SS _T	165.4729	26				

In this paper, Tube length is designated as moderate variable and die corner radius is designated as focal independent variable. As AXB interaction is only significant so it is studied furthermore. For each Tube Length, One-way ANOVA is carried out for interaction AXB to decide the effect and hence post-hoc analysis by doing pairwise comparison is carried out to determine the optimal values of the factors. The Details are given in the table 5.

Table 5. Pair-wise comparison (AXB) for Percentage thickness reduction at level 1 of Factor B (Tube length)

Pair-wise comparison	Difference	95 % confidence interval
Level 1 - Level 2	4.5433	(1.6287, 7.4580)
Level 2 - Level 3	-2.9400	(-5.8546, -0.0254)
Level 1 - Level 3	1.6033	(-1.3113, 4.5180)

Table 5 shows that the difference between level 1 and level 3 is insignificant and the mean for the level 2 of the factor A (Die Corner Radius- 6mm) is significantly lower (16.34) than the other two level values.

Similarly to find out the pair-wise comparison of the interaction AXB at level 2 and level 3 of factor B, One-way ANOVA is carried out and found that there is no significant variation. So, the level at which mean thickness reduction is comparatively lower can be selected.

4. Conclusion

From the results of the FEM analysis and the effect of parameters study using Taguchi method, some prediction can be drawn

- The Die corner radius, length of tube and thickness of tube are significantly affecting the process.
- The Internal pressure can be set at the higher end in order to achieve good hydroformed component.
- The interaction between the die corner radius and the tube length is found to be significant.
- The optimum combinations of the selected significant parameters are suggested based on results obtained by ANOVA analysis.
- Summary of the optimal combination of selected parameters for minimum percentage thickness Reduction is tabulated in table 6 below.

Table 6. Summary of Optimal Combinations for Minimum Percentage Thickness Reduction

Sr. No.	Details of Requirement	Optimal Combination of Factors and level for the minimum percent thickness reduction	
1	When Tube length is 120mm	Factor A	Level 2
		Factor B	Level 1
		Factor C	Level 3
		Factor D	Level 3
2	When Tube length is 140mm	Factor A	Level 2
		Factor B	Level 2
		Factor C	Level 3
		Factor D	Level 3
3	When Tube length is 160mm	Factor A	Level 1
		Factor B	Level 3
		Factor C	Level 3
		Factor D	Level 3

References

- [1] Shabbir Menon, Ahmad Omar, K. Narasimhan, "Finite element analysis for Optimizing process parameters in tube hydroforming process", IDDRG 2013 Conference Switzerland
- [2] Muammer Koc, Ted Allen , Suwat Jiratheranat, Taylan Altan, "The use of FEA and design of experiments to establish design guidelines for simple hydroformed parts", International Journal of Machine Tools & Manufacture 40 (2000) 2249–2266
- [3] Bing Li · T.J. Nye · Don R. Metzger, "Multi-objective optimization of forming parameters for tube hydroforming process based on the Taguchi method", Int J Adv Manuf Technol (2006) 28: 23–30
- [4] G.T.Kirdli, L.Bao,P.K. Mallick, Y. Tian, " Investigation of thickness variation and corner filling in tube hydroforming", Journal of Material Processing Technology 133 (2003) 287-296
- [5] Suwat Jirathearanat, Christoph Hartl, Taylan Altan, "Hydroforming of Y-shapes—product and process design using FEA simulation and experiments, Journal of Materials Processing Technology 146 (2004) 124–129
- [6] Sung-Jong Kang, Hyoung-Kwang Kim, Beom-Soo Kang, "Tube size effect on hydroforming formability", Journal of Materials Processing Technology 160 (2005) 24–33
- [7] Hossein Kashani Zadeh, Mahmoud Mosavi Mashhadi, "Finite element simulation and experiment in tube hydroforming of unequal T shapes", Journal of Materials Processing Technology 177 (2006) 684–687
- [8] A. Alaswad , A.G. Olabi, K.Y. Benyounis, "Integration of finite element analysis and design of experiments to analyse the geometrical factors in bi-layered tube hydroforming", Materials and Design 32 (2011) 838–850
- [9] Kristoffer Trana, "Finite element simulation of tube hydroforming process-bending, preforming and Hydroforming", Journal of Material Processing Technology 127 (2002) 407-408
- [10] Lihui Lang, Shijian Yuan, Xiaosong Wang, Z.R. Wang, Zhuang Fu, J. Danckert, K.B. Nielsen, "A study on numerical simulation of hydroforming of aluminum alloy tube", Journal of Materials Processing Technology 146 (2004) 377–388

- [11] Nader Abedrabbo, Michael Worswic, Robert Mayer, Isadora van Riemsdijk, "Optimization methods for the tube hydroforming process applied to advanced high-strength steels with experimental verification", *Journal of materials processing technology* 209 (2009) 110–123
- [12] Shijian Yuan, Wenjian Yuan, Xiaosong Wang, "Effect of wrinkling behavior on formability and thickness distribution in tube hydroforming", *Journal of Materials Processing Technology* 177 (2006) 668–671
- [13] Shijian Yuan, Xiaosong Wang, Gang Liu, Z.R. Wang, "Control and use of wrinkles in tube hydroforming", *Journal of Materials Processing Technology* 182 (2007) 6–11
- [14] T. Hama, T. Ohkubo, K. Kurisu, H. Fujimoto, H. Takuda, "Formability of tube hydroforming under various loading paths", *Journal of Materials Processing Technology* 177 (2006) 676–679
- [15] Muammer Koc, " Investigation of the effect of Loading Path and variation in the material properties and robustness of the tube hydroforming process", *Journal of Material Processing Technology* 133 (2003) 276-281
- [16] Asheesh Soniu, Jyoti Vimal, Avadesh K Sharma, "Finite element analysis of component developed by tube hydroforming", *International Research Journal of Mathematics, Engineering and IT* (2014) ISSN no. 2349-0322
- [17] P. Ray, B.J. Mac Donald, "Determination of the optimal load path for tube hydroforming processes using a fuzzy load control algorithm and finite element analysis", *Finite Elements in Analysis and Design* 41 (2004) 173–192
- [18] M. Imaninejad, G. Subhash, A. Loukus, "Loading path optimization of tube hydroforming process", *International Journal of Machine Tools & Manufacture* 45 (2005) 1504–1514
- [19] Yingyot Aue-U-Lan, Gracious Ngaile, Taylan Altan, "Optimizing tube hydroforming using process simulation and experimental verification", *Journal of Materials Processing Technology* 146 (2004) 137–143
- [20] Ken-ichi Manabe, Masaaki Amino, "Effects of process parameters and material properties on deformation process in tube hydroforming", *Journal of Materials Processing Technology* 123 (2002) 285–291
- [21] Bathina Sreenivasulu, B.A. Reddy and B.Sreenivasulu, "Experimental analysis of tube hydroforming", *Int. J. Mech. Eng. & Rob. Res.* (2014) ISSN 2278-0149
- [22] E. Chu, Yu Xu, "Hydroforming of aluminum extrusion tubes for automotive applications. Part II: process window diagram", *International Journal of Mechanical Sciences* 46 (2004) 285–297
- [23] Kuang-Jau Fann*, Pou-Yuan Hsiao, "Optimization of loading conditions for tube hydroforming", *Journal of Materials Processing Technology* 140 (2003) 520–524
- [24] Fuh-Kuo Chen, Shao-Jun Wang, Ray-Hau Lin, "A study of forming pressure in the tube-hydroforming process", *Journal of Materials Processing Technology* 192–193 (2007) 404–409
- [25] B.Sreenivasulu, G. Prasanthi, T. Naresh Kumar, "Simulative analysis of Tube Hydroforming process", *International Journal of Research in Engineering and Technology*(2013) eISSN: 2319-1163 | pISSN: 2321-7308
- [26] A. Aydemir, J.H.P. de Vree, W.A.M. Brekelmans, M.G.D. Geers, W.H. Sillekens , R.J. Werkhoven, "An adaptive simulation approach designed for tube hydroforming processes", *Journal of Materials Processing Technology* 159 (2005) 303–310



Lecture Notes in Mechanical Engineering

Hari Vasudevan
Vijaya Kumar N. Kottur
Amool A. Raina *Editors*

Proceedings of International Conference on Intelligent Manufacturing and Automation

ICIMA 2018

 Springer

A Perspective of Integrated Machine Vision Based-Multivariate Statistical Process Control



Ketaki N. Joshi and Bhushan T. Patil

Abstract Machine vision systems have proven their potential of effectively inspecting objects under consideration for surface and dimensional defects using various texture analysis techniques. However, current use of machine vision systems in industry is broadly limited to acceptance or rejection of product based on its quality. Their potential of providing complete solution to quality is not completely explored and utilized. Hence there exist opportunities for utilizing machine vision systems not only for inspection, but going one step ahead and using it for quality control. The information extracted by machine vision systems, over the period, can be analysed for monitoring production processes and detecting out-of-control signals. This paper provides a review of the attempts made by various researchers in the direction of integrating machine vision techniques with statistical quality control methods for providing vision based solution for quality control.

Keywords Machine vision · Multivariate techniques · Statistical process control

1 Introduction

Automatic inspection systems using computer vision and image processing techniques are capable of accurate inspection and effective process monitoring. There has been a significant development in the field of machine vision systems (MVS) and have proven their potential to replace the traditional measurement systems. There exists an opportunity to extend their current usage for inspection to monitoring of

K. N. Joshi (✉)
Mechanical Engineering, Fr. Conceicao Rodrigues College of Engineering,
Affiliated to University of Mumbai, Bandra, Mumbai, Maharashtra, India
e-mail: ketaki.joshi@fragnel.edu.in

B. T. Patil
Fr. Conceicao Rodrigues College of Engineering, Affiliated to University of Mumbai,
Bandra, Mumbai, Maharashtra, India
e-mail: bhushan.patil@fragnel.edu.in

© Springer Nature Singapore Pte Ltd. 2019
H. Vasudevan et al. (eds.), *Proceedings of International Conference on Intelligent Manufacturing and Automation*, Lecture Notes in Mechanical Engineering,
https://doi.org/10.1007/978-981-13-2490-1_42

463

production processes and utilizing this data in order to control the system before non-conformities occur.

Woodall and Montgomery [1] have stated that use of images for process monitoring is one of the latest trends in the area of quality control. The images of the products are often used in the industry for inspection, i.e. to separate non-conforming items from conforming items. However, they clearly stated the opportunity of developing solutions for detection of quality changes before non-conforming items are actually produced in the system by encouraging investigations and research in the area of control charting using image data.

Vining et al. [2] have also stated that currently the image data is being primarily used for quality inspection purpose; however, the future scope for research in the field of machine vision lies in exploring the opportunity of using this information to improve quality of the processes. Hence they enforce on development of statistical monitoring methodologies for image data to be the next logical step in the near future.

In the present paper, authors attempt to survey the current state of research progress achieved in the field of machine vision-based multivariate statistical control. The paper presents a review of developments in multivariate statistical quality control techniques, integration of MVS with control charting techniques and its implementation in various product and process industries carried out by various researchers.

1.1 Integration of Machine Vision Systems and Statistical Process Control

Applications of modern industrial machine vision systems can be broadly categorized in four types of inspections: dimensional quality, surface quality, structural quality and operational quality [3].

Dimensional quality characteristics can be extracted by processing images of the product under inspection using various image processing techniques and feature extraction techniques. Inspection for surface quality using MVS is based on the principle that, an image is a two dimensional image intensity function characterized by the amount of light incident on the object under observation (illumination) which is dependent on the light source and the amount of light reflected from the object (reflectance) which is dependent on the characteristic of the surface of object [4]. Structural quality refers to correct assembling, which can be extracted from images of the assemblies using statistical techniques based on greyscale levels, template matching or various stochastic model-based algorithms. Operational quality deals with accuracy with which a particular operation is carried out.

Effective management of quality involves three activities namely quality planning, quality assurance and quality control and improvement [5]. Quality control and improvement is one of the philosophical pillars of quality and can be achieved primarily by using statistical process control (SPC).

Traditional process monitoring and quality control from univariate perspective is based on the assumption that only one process output is of prime concern. However in practice, a product's utility value depends on a number of quality characteristics all of which need to be controlled in the production process in order to avoid rejection of components based on non-conformance to quality. Univariate approach also affects the joint probability of sample means lying within the control limits when the process is actually in control, calculated as $(1 - \alpha)^p$, with α being the individual probability of sample means lying in the control limits and p being number of variables. This increases the probability of type I errors. Also, the above formula is applicable only if all the characteristics are truly independent in nature, which is rarely the case in actual practice.

In these scenarios, multivariate quality control provides a more effective way to monitor process quality by simultaneously monitoring all the variables under consideration. Multivariate techniques not only extract the information on individual characteristics but also extract and monitor correlations among data [5]. The method is suitable for processes with quality characteristics up to ten in number. However, it can also be used with more variables after reducing the dimensionality using principal component analysis [6].

The multivariate process control techniques can be effectively used to monitor a process involving multiple output characteristics. If this technique is integrated with machine vision system, can provide a very effective automated system for process monitoring and control. Researchers have made an attempt to use machine vision system with multivariate statistical techniques for process control. Most of the researchers have used this technique for surface quality control whereas very few have used it for dimensional aspects of quality. It can be concluded that integration of machine vision systems and statistical process control techniques can provide a very effective, economic and reliable tool for facilitating quality control in the industries.

1.2 Methodology for Developing MVS Based-Process Monitoring and Control

Methodology developed by Rogalewicz and Poznańska [7] can be adopted for developing machine vision-based multivariate quality control system.

It consists of three phases: planning phase, process capability study phase and process monitoring phase. In planning phase, process to be controlled is studied and the variable critical to its quality are selected with their tolerance limits and targets. Then the data acquisition system is to be built, which for machine vision-based approach, will include system for acquisition of images using camera and transferring them to computer systems for further analyses. Then the measurement system is to be developed, which for machine vision-based approach, will include the use of image processing techniques for measurement of quality parameters. Then in the process capability study phase, sample data with suitable sample size and

sampling frequency is to be collected, analysed, then plotted using proper control chart and further analysed for examining the process stability and capability. The last phase is process monitoring phase, where control limits are to be calculated followed by process monitoring and diagnosis of out of control scenarios.

2 Multivariate Control Charts

Most widely used multivariate quality control charts are Hotelling T^2 charts. These charts use information from current sample and hence are insensitive to small and moderate shifts in process mean. Multivariate exponentially weighed moving average (MEWMA) charts overcome this limitation [8].

2.1 Hotelling T^2 Chart

Hotelling T^2 control chart developed by Hotelling [9] is the most widely used method for multivariate quality control. This method is a direct analogue of univariate Shewart chart. Hotelling T^2 charts for subgroup data can be represented using control region or chi-square chart with an upper control limit. First method suffers from loss of time sequence of data and complexity for more number of variables. Second method overcomes these limitations by plotting the statistics value for all samples. These charts can be extended for estimating population mean and standard deviation, charts in which case are called Hotelling T^2 charts.

$$T^2 = n(\bar{x} - \bar{\bar{x}})' S^{-1} (\bar{x} - \bar{\bar{x}})$$

Two distinct phases in the use of control charts have different control limits based on the usage as proposed by Alt. Phase-I has the objective to obtain in control observations in order to establish control limits for phase-II. Whereas phase-II is for monitoring the production. Accordingly, the control limits set for two phases are as follows:

Control limits for phase-I: UCL = $\frac{p(m-1)(n-1)}{mn-m-p+1} F_{\alpha, p, mn-m-p+1}$ LCL = 0	Control limits for phase-II: UCL = $\frac{p(m+1)(n-1)}{mn-m-p+1} F_{\alpha, p, mn-m-p+1}$ LCL = 0
--------------------------------------------------------------------------------------------------------	---------------------------------------------------------------------------------------------------------

Interpretation of out of control signals is the most critical step in the use of Hotelling T^2 charts as it differs from univariate approach. Runger et al. [10] suggested the use of decomposition method where $T_{(i)}^2$ indicates the T^2 statistics for all process variables except the i th one. Then d_i calculated as $T^2 - T_{(i)}^2$ indicates the relative contribution of each parameter to the overall statistics.

Other methods include use of principal component analysis (PCA), partial least squares (PLS) for dimensionality reduction or discriminant analysis for classification of observations into groups [8, 11, 12]. PCA and projection of latent structure allow systematic examination and interpretation of highly correlated high-dimensional data [13]. Bersimis et al. [14] have discussed all the types of multivariate control charts, autocorrelation, dimensionality reduction using PCA and PLS and interpretation of out of control signals in detail.

2.2 *Multivariate Exponentially Weighted Moving Average (MEWMA) Chart*

Multivariate exponentially weighted moving average (MEWMA) chart developed by Lowry et al. [15] can sense the small or moderate shift in the mean vector over period as compared to Hotelling T^2 chart. MEWMA statistics is given as follows:

$$Z_i = \lambda x_i + (1 - \lambda)Z_{i-1}$$

where λ lies between 0 and 1 and $Z_0 = 0$

Quality term plotted on the chart is given as follows:

$$T_i^2 = Z_i' \sum_{z^{i-1}} Z_i$$

where covariance matrix

$$\sum_{z^i} = \frac{\lambda}{2 - \lambda} [1 - (1 - \lambda)^{2i}] \sum$$

3 Literature Review

Horst and Negin [16] used two charge-coupled devices and computer server for inspecting thickness of textile and plotting control charts for mean and standard deviation in real time.

Nembhard et al. [17] implemented integrated model for statistical and vision monitoring in order to monitor the colour transition of the extruded polymer at different levels as it cools down in order to identify quality improvement opportunities. The colour transition data was captured by processing images of the polymer taken at pre-determined intervals and then plotted using EWMA control chart in order to detect process shift.

Jiang et al. [18] proposed machine vision-based inspection of TFT-LCD panels for mura defects using colour/grayscale values in different regions of the panel using

EWMA chart. The positions of mura defects were easily located using EWMA chart which were further analysed for classification. Lin and Chiu [19] proposed use of Hotelling T^2 chart to determine the regions of small colour variation representing the mura defects. According to the survey on use of automated visual inspection in the field of semiconductors by Huang and Pan [20], semiconductor products including wafers, TFT-LCDs and LEDs are inspected for defects using many multivariate techniques one of which is the use of Hotelling statistics for texture analysis.

Tong et al. [21] used machine vision approach integrated with Hotelling T^2 chart to monitor wafer (IC) production process. The quality characteristics selected for charting included number of defects and clustering indices to be monitored for inspection purpose.

Liu et al. [22] developed an MVS system for capturing patterns such as stripes, swirls and ripples with different dimensions. They used wavelet transformation and principal component analysis for texture analysis and Hotelling T^2 and SPE charts for detection of off-specification countertops.

Lin [23, 24] used wavelet characteristics for describing texture properties and Hotelling T^2 control charts of different texture parameters to detect existence of ripple defects in SBL chips of ceramic capacitor. Lin et al. [25] compared the capabilities of a wavelet-Hotelling T^2 control chart approach with that of wavelet-PCA-based approach in detecting surface defects in light-emitting diode (LED) chips and found wavelet-PCA-based approach to be more effective.

Tunak and Linka [26] extracted GLCM features energy, correlation, homogeneity, cluster shade and cluster prominence and plotted using multivariate T^2 charts for detecting the occurrence and location of woven defects.

Tunak et al. [27] used 2D discrete Fourier transform (DFT) and its inverse processed further for getting the images containing only warp and weft. The restored images were then used for assessing weaving density with the help of \bar{X} -bar control chart in order to locate the sites of potential defects.

Lyu and Chen [28] integrated image processing technologies and multivariate statistical control chart for a component type having two concentric circles. The diameters of the two circles were obtained using image processing techniques and results of 35 samples were plotted in T^2 , X^2 and MEWMA chart. Out of control signals were interpreted using Fuchs and Benjamin's MSSD (mean square successive difference) method [29] and Doganaksoy method [30]. They stated that the future scope for this research to use various inspection techniques, different shaped components and develop testing rules for analysing the process using control charts.

Megahed et al. [31] reviewed the work on image monitoring as a special case of spatiotemporal surveillance and use of control charts for process monitoring. Megahed et al. [32] applied spatiotemporal methods for analysis of the image data.

Grieco et al. [33] used integrated machine vision-based control charting approach for monitoring leather cutting process wherein the shape of the monitored profile was compared with baseline model using image data and deviation area was used as the quality characteristic for monitoring. Univariate and multivariate control charting approaches were simulated by using deviation area of the entire profile in first case

Table 1 Summary of research work in MVS-based process monitoring, control

Charting technique	Researcher	Product/process under monitoring
Hotelling T^2	Horst and Negin [16]	Thickness of textile
	Lin and Chiu [19]	Mura defects in TFT-LCD panels
	Tong et al. [21]	Wafer (IC) production process
	Liu et al. [22]	Patterns-stripes, swirls and ripples
	Lin [24]	Ripple defects in SBL chips of ceramic capacitor
	Lin et al. [25]	Surface defects in LED chips
	Tunák and Linka [26]	Woven defects
	Tunák et al. [27]	Weaving density
	Lyu and Chen [28]	Component with 2 concentric circles
EWMA	Nembhard et al. [17]	Colour transition of extruded polymer
	Jing et al. [18]	Mura defects in TFT-LCD panels
MEWMA	Lyu and Chen [28]	Component with 2 concentric circles
Shewhart	Grieco et al. [33]	Leather cutting process

and deviation area vector for different segments of profile in the multivariate case. They concluded that multivariate approach provides better results.

The summary of previous research work in the field is tabulated in Table 1.

4 Conclusion and Future Scope

An integrated approach of machine vision-based control charting can effectively facilitate process control. Multivariate approach will be beneficial over univariate in industrial practices due number of variables determining final quality and utility value of the product. Machine vision systems have been successfully used for inspection and can be implemented further for real time monitoring of production processes to detect out of control signals and shifts in process means to predict the probability of occurrence of non-conformities and control the processes before non-conformities occur.

From the literature reviewed, it is clear that MVS-based process monitoring and control is explored by very few researchers and their results indicate that the approach is feasible. It needs to be explored further for providing a mature vision-based mul-

tivariate statistical control solution to the industry [1, 2]. Most of the attempts have been made to implement this technique for quality control in electronic products and process industries. Their application in mechanical industries is still not explored to the extent required for acceptance of this technique by the industry. The research gaps identified from the literature review include application of MVS-based multivariate control charting technique to various mechanical components and assemblies for identifying dimensional errors and assembly errors, respectively. Further research in this direction would provide a new dimension to industrial quality control systems.

References

1. Woodall, W. and Montgomery, D.: Some Current Directions in the Theory and Application of Statistical Process Monitoring. *Journal of Quality Technology*, 46(1), (2014) 78–94.
2. Vining, G., Kulahci, M. and Pedersen, S.: Recent Advances and Future Directions for Quality Engineering. *Quality and Reliability Engineering International*, 32(3), (2015). pp. 863–875.
3. Malamas, E. N., Petrakis, E. G., Zervakis, M., Petit, L., & Legat, J. D.: A survey on industrial vision systems, applications and tools. *Image and vision computing*, 21(2), (2003) 171–188.
4. Palani, S., & Natarajan, U.: Prediction of surface roughness in CNC end milling by machine vision system using artificial neural network based on 2D Fourier transform. *The International Journal of Advanced Manufacturing Technology*, 54(9–12), (2011) 1033–1042.
5. Chen, K. H., Boning, D. S., & Welsch, R. E.: Multivariate statistical process control and signature analysis using eigenfactor detection methods. In *The 33rd Symposium on the Interface of Computer Science and Statistics*, Costa Mesa Ca (2001).
6. Montgomery, D. C.: *Introduction to statistical quality control*. John Wiley & Sons. (2007).
7. Rogalewicz, M., & Poznańska, P.: The Methodology of Controlling Manufacturing Processes with the Use of Multivariate Statistical Process Control Tools. *Journal of Trends in the Development of Machinery and Associated Technology*, 17(1), (2013) 89–93.
8. Bersimis, S., Panaretos, J., & Psarakis, S.: Multivariate statistical process control charts and the problem of interpretation: a short overview and some applications in industry. *arXiv preprint arXiv:0901.2880*. (2009).
9. Hotelling, H.: *Multivariate quality control. Techniques of statistical analysis* (1947).
10. Runger, G. C., Alt, F. B., & Montgomery, D. C.: Contributors to a multivariate statistical process control chart signal. *Communications in Statistics—Theory and Methods*, 25(10), (1996) 2203–2213.
11. Jackson, J. E.: Principal components and factor analysis: part I-principal components. *Journal of Quality Technology*, 12(4), (1980) 201–213.
12. Chua, M. K., & Montgomery, D. C.: Investigation and characterization of a control scheme for multivariate quality control. *Quality and Reliability Engineering International*, 8(1), (1992) 37–44.
13. Dudzic, M. and Zhang, Y.: On-Line Industrial Implementation of Process Monitoring/Control Applications Using Multivariate Statistical Technologies: Challenges and Opportunities. *IFAC Proceedings Volumes*, 37(9), (2004) 269–279.
14. Bersimis, S., Psarakis, S. and Panaretos, J.: Multivariate statistical process control charts: an overview. *Quality and Reliability Engineering International*, 23(5), (2007) 517–543.
15. Lowry, C. A., Woodall, W. H., Champ, C. W., & Rigdon, S. E.: A multivariate exponentially weighted moving average control chart. *Technometrics*, 34(1), (1992) 46–53.
16. Horst, R. L., & Negin, M.: Vision system for high-resolution dimensional measurements and on-line SPC: Web process application. *IEEE Transactions on Industry Applications*, 28, (1992) 993–997.

17. Nembhard, H. B., Ferrier, N. J., Osswald, T. A., & Sanz-Urbe, J. R.: An integrated model for statistical and vision monitoring in manufacturing transitions. *Quality and Reliability Engineering International*, 19(6), (2003) 461–476.
18. Jiang, B. C., Wang, C. C., Tsai, D. M., & Lu, C. J.: LCD surface defect inspection using machine vision. In *Proceedings of the fifth Asia Pacific industrial engineering and management systems conference*. (2004).
19. Lin, H. D., & Chiu, S. W.: Computer-aided vision system for MURA-type defect inspection in liquid crystal displays. In *Pacific-Rim Symposium on Image and Video Technology* (pp. 442–452). Springer, Berlin, Heidelberg (2006).
20. Huang, S. H., & Pan, Y. C.: Automated visual inspection in the semiconductor industry: A survey. *Computers in industry*, 66, (2015) 1–10.
21. Tong, L. I., Wang, C. H., & Huang, C. L.: Monitoring defects in IC fabrication using a Hotelling T^2 /control chart. *IEEE transactions on semiconductor manufacturing*, 18(1), (2005) 140–147.
22. Liu, J. J., MacGregor, J. F., Duchesne, C., & Bartolacci, G.: Flotation froth monitoring using multiresolutional multivariate image analysis. *Minerals Engineering*, 18(1), (2005) 65–76.
23. Lin, H. D.: Automated visual inspection of ripple defects using wavelet characteristic based multivariate statistical approach. *Image and Vision Computing*, 25(11), (2007) 1785–1801.
24. Lin, H. D.: Computer-aided visual inspection of surface defects in ceramic capacitor chips. *Journal of Materials Processing Technology*, 189(1), (2007) 19–25.
25. Lin, H. D., Chung, C. Y., & Lin, W. T.: Principal component analysis based on wavelet characteristics applied to automated surface defect inspection. *WSEAS Transactions on Computer Research*, 3(4), (2008) 193–202.
26. Tunák, M., & Linka, A.: Directional defects in fabrics. *Research Journal of Textile and Apparel*, 12(2), (2008) 13–22.
27. Tunák, M., Linka, A., & Volf, P.: Automatic assessing and monitoring of weaving density. *Fibers and Polymers*, 10(6), (2009) 830–836.
28. Lyu, J., & Chen, M.: Automated visual inspection expert system for multivariate statistical process control chart. *Expert Systems with Applications*, 36(3), (2009) 5113–5118.
29. Fuchs, C., & Benjamini, Y.: Multivariate profile charts for statistical process control. *Technometrics*, 36, (1994) 182–195.
30. Doganaksoy, N., Faltin, F. W., & Tucker, W. T.: Identification of out-of-control quality characteristics in a multivariate manufacturing environment. *Communications in Statistics – Theory and Methods*, 20, (1991) 2775–2790.
31. Megahed, F.M.; Woodall, W.H.; and Camelio, J. A.: A Review and Perspective on Control Charting with Image Data. *J. Qual. Technol.*, 43(2), (2011) 83–98.
32. Megahed, F. M., Wells, L. J., Camelio, J. A., & Woodall, W. H.: A spatiotemporal method for the monitoring of image data. *Quality and Reliability Engineering International*, 28(8), (2012) 967–980.
33. Grieco, A., Pacella, M., & Blaco, M.: Image based quality control of free-form profiles in automatic cutting processes. *Procedia CIRP*, 62, (2017) 405–410.

Evaluation of Surface Roughness by Machine Vision Using Neural Networks Approach



Ketaki Joshi and Bhushan Patil

Abstract Surface quality of industrial components is critical from operational, ergonomics and esthetics point-of-view. Surface roughness measurement using traditional contact-type instruments may not be feasible in the industries insisting on 100% inspection and monitoring. Machine vision-based machine learning has a potential of facilitating automated inspection of manufactured components for their surface quality. The paper presents a machine vision-based machine learning approach that works on the principle of surface texture characterization by vision-based texture analysis techniques followed by supervised machine learning using multilayer feed-forward artificial neural network with backpropagation for fitting the response (surface roughness) with the inputs (vision-based texture parameters). Performance of various texture analysis techniques based on the histogram, gray level co-occurrence matrix, Fourier and wavelet transform used for generating the training data and training algorithms used for training the networks are compared. The approach can be potentially used to estimate surface roughness of industrial components.

Keywords Surface roughness · Machine vision · Texture analysis · Artificial neural networks

1 Introduction

Evaluation of surface roughness (Ra) using machine vision-based machine learning approach is based on the principle of surface texture characterization of machined surface images using texture analysis techniques and machine learning to establish

K. Joshi (✉) · B. Patil
Fr. Conceicao Rodrigues College of Engineering, Affiliated to University of Mumbai,
Bandra, India
e-mail: ketaki.joshi@fragnel.edu.in

B. Patil
e-mail: bhushan.patil@fragnel.edu.in

© Springer Nature Singapore Pte Ltd. 2020
A. K. Parwani and PL. Ramkumar (eds.), *Recent Advances in Mechanical Infrastructure*, Lecture Notes in Intelligent Transportation and Infrastructure,
https://doi.org/10.1007/978-981-32-9971-9_3

25

Lecture Notes in Intelligent Transportation and Infrastructure
Series Editor: Janusz Kacprzyk

Ajit Kumar Parwani
PL. Ramkumar *Editors*

Recent Advances in Mechanical Infrastructure

Proceedings of ICRAM 2019

 Springer

Development of JOLIS GC3000 Gas Cutter Joint Ordinate Linear Interpolation System CNC Machine

Stephen Joseph K , Ragini Joshi, Pratiksha Gangawane, Sana Kanvinde, D.S.S.Sudhakar

Abstract—JOINT ORDINATE LINEAR INTERPOLATION SYSTEM is an automation solution that improves the speed, accuracy and cost effectiveness of the traditional system. The basic concepts of Oxyacetylene cutting is still preserved, but operation is optimized with a motion-controlled system. JOLIS-GC-3000 is a $2 \frac{1}{2}$ axes system that provides the torch freedom to be interpolated in various profiles. JOLIS is a controller independent system that allows the integration of PLC, PCI based, or Micro controller based Controllers. It is portable, accurate to 0.1mm, user friendly and extremely cost effective, hence suitable for all fabrication and production oriented businesses.

Index Terms—CNC, Motion Control, Gas Cutter

I. INTRODUCTION

The design of JOLIS was developed on the basis of problems and issues that were faced by medium scale industries which use manual hand-operated gas cutting tool. It incorporates a cantilever frame structure unlike the gantry style which is preferred in CNC machines. As the structure of the gantry system would be sturdy and bulky, but the system had to be compact, portable, accurate and fast thus the design of the system was based on a cantilever system. JOLIS has a wide range of cuts spans that maybe incorporated depending on customer needs. Unlike other portable CNC systems, JOLIS need not be dismantled to be transported. It is mobile and can be swiveled for easy storage when not in use. JOLIS system is completely independent of the type of controller (PLC, Micro controller, PCI port, etc.) hence accuracy and cost can be adjusted as per customer requirements. It is extremely user-friendly especially when interfaced with a controller, which has its own library of predetermined shapes that the user could use. Hence, operators do not require extensive training or experience in operating a CNC or G and M code programming knowledge.

Manuscript received May 11, 2015; revised August 16, 2015.

Stephan Joseph K. is with the Department of Production Engineering, Fr. Conceicao Rodrigues College of Engineering, Mumbai, Maharashtra, 400050 India e-mail: stephanmumbai@gmail.com

Ragini Joshi is with the Department of Production Engineering, Fr. Conceicao Rodrigues College of Engineering, Mumbai, Maharashtra, 400050 India e-mail:ragini60194@gmail.com

Pratiksha Gangawane is with the Department of Production Engineering, Fr. Conceicao Rodrigues College of Engineering, Mumbai, Maharashtra, 400050 India e-mail:gangawanepatiksha10@gmail.com

Sana Kanvinde is with the Department of Production Engineering, Fr. Conceicao Rodrigues College of Engineering, Mumbai, Maharashtra, 400050 India e-mail: skanvinde11@gmail.com

D.S.S Sudhakar is with the Department of Production Engineering, Fr. Conceicao Rodrigues College of Engineering, Mumbai, Maharashtra, 400050 India e-mail: sudhakar@fragnel.ac.in

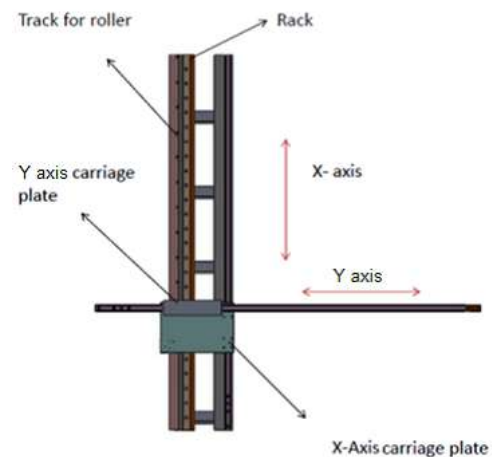


Fig. 1. Basic design of JOLIS system

II. DETERMINATION OF FRAME DIMENSIONS

JOINT ORDINATE LINEAR INTERPOLATION SYSTEM (JOLIS) suggests the system works on the principle of producing the desired tool motion by the simultaneous fluctuations in both the X and Y-axis. The JOLIS GC 3000 is an economical solution to automation of small and medium scale industries, reducing effort and time required for production. Its high accuracy and high-speed performance ensures high productivity and quality.

A. Determination of Y Axis Beam

While calculating the dimension of the Y-axis slide, it is important that the system is designed for the worst possible scenario, which is when the slide is extended to its extreme length. In that case, the system will behave like a Cantilever system.

Let us consider a composite beam made of Aluminum and Mild Steel that has been bolted together to form a single beam. Now as the dimension of the Aluminum beam is fixed, the mild steel bars can be machined onto it.

The objective is to calculate the dimension of the steel beam required to keep the deflection of the entire system below 0.1mm.

$$\delta_T = \delta_W + \delta_L$$

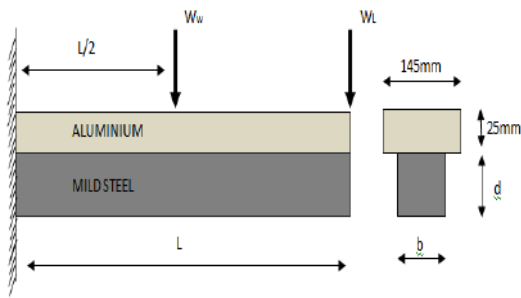


Fig. 2. Composite beam

$$\delta_W = \frac{W_W l^2}{6EI} \frac{5l}{2}$$

$$\delta_L = \frac{W_L l^3}{6EI}$$

Where: W=Weight, L=Length.

Assume the maximum deflection to be 0.1mm, therefore:

$$\delta_T = \frac{W_W l^2}{6EI} \frac{5l}{2} + \frac{W_L l^3}{3EI}$$

$$= \frac{l^3}{3EI} \frac{5W_W + W_L}{4}$$

$$0.0001 = \frac{2.3^3}{3EI} \frac{5W_W + 58.84}{4}$$

Now as the two beams are stacked one on top of the other, and the forces are acting perpendicular to both of them, the Effective Young's Modulus is given by:

$$\sum_{i=1}^n \frac{V_i}{E_i} = \frac{V_{MS}}{E_{MS}} + \frac{V_{AL}}{E_{AL}}$$

where MS= mild steel and AL= Aluminium

$$E = b \times d \times 1.15 \times 10^{-11} + 1.21 \times 10^{-12}$$

$$= \frac{b \times d \times 2.3}{200 \times 10^9} + \frac{0.145 \times 0.25 \times 2.3}{69 \times 10^9}$$

Now the total weight of the entire beam system, W_w is given by:

$$W_w = [(b_{AL} \times d_{AL} - 2\pi r^2) \times \rho_{AL} + 2\pi r^2 \times \rho_{MS} + b_{MS} \times d_{MS} \times \rho_{MS}] \times L$$

where:

$$b_{AL} = 0.145m$$

$$d_{AL} = 0.025m$$

$$\rho_{AL} = 2700kg/m^3$$

$$\rho_{MS} = 7750kg/m^3$$

$$r = 0.022m$$

$$W_w = [(0.145 \times 0.025 - 2\pi(0.022)^2) \times 2700 + 2\pi(0.022)^2 \times 7750 + b_{MS} \times d_{MS} \times 7750] \times 2.3$$

$$W_w = [7.735 + 5.892 + 7750 \times b_{MS} \times d_{MS}] \times 2.3$$

$$W_w = [31.342 + 17.825 \times 10^3 \times b \times d]$$

Moment of Inertia of system is calculated by the derivation:

$$I_X = \int y^2 dA$$

Now calculate the moment of inertia of the composite system, use parallel axis theorem:

$$I_x = (\bar{I}_x + d^2 A)_{AL} + (\bar{I}_x + d^2 A)_{MS}$$

$$\bar{y} = \frac{(b \times d \times y)_{AL} + (b \times d \times y)_{MS}}{(b \times d)_{AL} + (b \times d)_{MS}}$$

$$= \frac{(0.145 \times 0.025 \times (d + 0.0125)) + (b \times d \times \frac{d}{2})}{(0.145 \times 0.025) + (b \times d)}$$

$$\bar{y} = \frac{\frac{b \times d^2}{2} + 3.265 \times 10^{-3} (d + 0.0125)}{3.265 \times 10^{-3} + bd}$$

Now for the simplification of calculation, assume that:

$$b = d$$

$$\bar{y} = \frac{\frac{d^2}{2} + 3.265 \times 10^{-3} (d + 0.0125)}{3.265 \times 10^{-3} + d^2}$$

The Moment of Inertia is:

$$I_x = (\bar{I}_x + d^2 A)_{AL} + (\bar{I}_x + d^2 A)_{MS}$$

$$I_x = \left[\frac{0.145 \times 0.025^3}{12} + 0.145 \times 0.025 (d + 0.0125 - \bar{y}) \right] + \left[\frac{d^4}{12} + d^2 (\bar{y} - \frac{d}{2}) \right]$$

Now substituting \bar{y} and differentiate I_x with respect to d , we get:

$$\frac{d(I_x)}{d(d)} = A' + B' + C'$$

where

$$A = \frac{0.145 \times 0.025^3}{12} + 0.145 \times 0.025 (d + 0.0125 - \bar{y})$$

$$B = \frac{d^4}{12} \text{ and } C = d^2 (\bar{y} - \frac{d}{2})$$

Thus the resultant equation is:

$$d^4 + 3.66 \times 10^{-3} d^2 - 1.83 \times 10^{-4} d + 2.62 \times 10^{-5}$$

Now equating it to zero, as this would give the maximum value of I_x , which would give the least amount of material required to keep the deflection below 0.1 mm.

$$d^4 + 3.66 \times 10^{-3} d^2 - 1.83 \times 10^{-4} d + 2.62 \times 10^{-5} = 0$$

The above expression is derivated w.r.t d and equated to zero to find optimized value of d . Thus, the real solution obtained is $d=0.03637$ m

Compare this result with various cross-sections in regard with the moment of inertia equivalent with the study carried out on FEA Software it was determined that rectangular cross-section provides the best alternative, requiring least material

for equivalent deflection.
 Hence, MS 60 x 40 x 2.6 beams are selected.

B. MOTOR SELECTION

Now the Rack and Pinion system that has been recommended for the high precision solutions such as a CNC machine is:

Rack:

Material: Stainless Steel, Grade 416
 Treatment: Hardened to 35-45 HRC
 Pressure Angle: 20

Pinion:

Material: Stainless Steel, Grade 17-4 PH
 Treatment: Hardened 36/40 HRC
 Pressure Angle: 20

Load Torque Calculation:

$$F = F_A + mg(\sin \theta + \mu \cos \theta)$$

Where:

- F: Force of moving direction.
- F_A : External Force.
- m: Total mass of table and load.
- θ : Tilt angle in degree.
- g: gravitational acceleration.

Where μ between stainless steel-stainless steel is (0.5-0.8)
 Now calculating for the worst possible scenario, consider $\mu = 0.8$

$$T_L = \frac{F}{2\pi\eta} \times \frac{\pi D}{i} \times \frac{FD}{2\eta i}$$

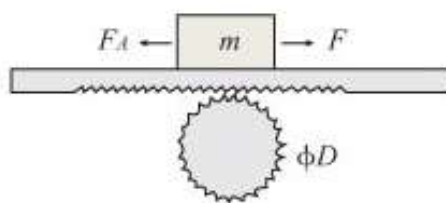


Fig. 3. Rack and pinion for Y-axis beam

Where:

- F: Force of moving direction.
- μ^0 : Internal Friction coefficient of preload nut (0.1 ~ 0.3)
- i: Gear Ratio (This is the gear ratio of mechanism)
- P_B : Ball screw lead.
- F_A : External Force.
- m: Total mass of the table and load.
- μ : Friction coefficient of sliding surface (0.05).
- θ : Tilt angle (Degree).
- D: Final Pulley Diameter.
- g: Gravitational Acceleration.

C. Dimensions of X axis Beam

Load Torque Calculation:

$$F = 0 + 23.88 \times 9.81 \times 0.8 = 187.41 N$$

$$T_L = \frac{187.41 \times 0.047}{2 \times 0.85 \times 1} = 5.181 Nm$$

Therefore the required torque for X axis system is: 5.181 N-m

X axis slide system:

Now the total weight of the carriage and X slide system is:

$$W = Y \text{ beam} + \text{Torch mounting} + Y \text{ motor}$$

$$= 36.37^2 \times 2300 \times 0.00785 g/mm^3 + 6kg + 5.4kg$$

$$= 35.28 Kg$$

Load Torque calculation:

$$F = 0 + 35.28 \times 9.81 \times 0.8 = 276.90 N$$

$$T_L = \frac{276.90 \times 0.047}{2 \times 0.85 \times 1} = 7.655 Nm$$

Motor selection:

As the maximum desired Torque is 7.65 N-m, 8.7 N-m Bipolar Stepper Motor is selected. Thus the motor selected is
 Model : 34H-155-50-4A
 Type : Bipolar

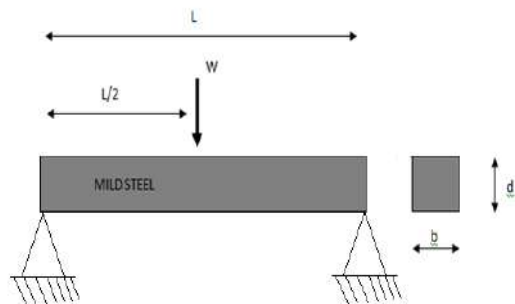


Fig. 4. Simply Supported Beam

$$W = Y \text{ beam} + \text{Torch mounting} + \text{Carriage} + X \text{ motor} + Y \text{ motor}$$

$$= 23.88kg + 6kg + 20kg + 5.4kg + 5.4kg$$

$$= 60.68kg$$

Assume that various components (i.e. welds, nut and bolts, etc.) add up to this weight. Thus $W \approx 70kg$.

The maximum deflection of a simply supported beam is at its mid-point:

$$\delta = \frac{WL^3}{48EI}$$

Equating it to 0.1mm and by assuming that

$$b = d,$$

Therefore symbol

$$0.0001 = \frac{(27475d^2 + 343.23)3.5^3}{48 \times 210 \times 10^9 \frac{d^4}{12}}$$

Reducing the above equation and solving:
 $1.96 \times 10^5 d^4 + 27475d^2 + 343.23 = 0$
 $d = 0.117 \text{ m}$

Compare this result with various cross-sections in regard with the Moment of Inertia equivalent; find the best alternative with least material consumption.

Hence from the study carried out on FEA Software it was determined that rectangular cross section provides the best alternative, requiring least material for equivalent deflection.

Hence, MS 80 x 40 x 4.8 beams are selected.

D. Selection of Optimum Beam Cross-section using FEA Software

FEA Software is used for analyzing various cross-sections. These can be used as an alternative for the calculated square beams. This is done by finding the dimensions required to sustain a maximum deflection of 0.1 mm.

Weight of Material required = (Area) x L X Density of Mild

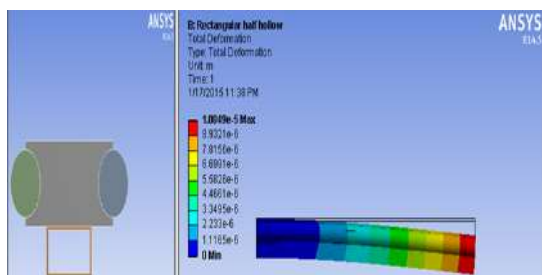


Fig. 5. FEA Analysis

Steel = 28.893024 kg
Tabulating the results,

TABLE I
 COMPARISON BETWEEN VARIOUS CROSS-SECTIONS

Type of C/S	Volume (10^4 mm^3)	Weight (kg)	Deflection (10^{-3} mm)	Stress (Mpa)	Rating Factor 10^{-3}
Rect- angular Hollow	0.6582	51.6687	5.81	0.1532	3.826
Half Rect Hollow	0.3680	28.8930	10.04	0.22115	3.698
H Flat Plate	0.36	28.26	15.044	0.17343	5.415
C section	0.4	31.4	10.21	0.2841	4.087
V Flat Plate	0.48	37.68	10.01	0.29395	4.806

Comparing the results on the basis of deflection to weight proportion, the Rating Factor was devised, which is basically the product of volume and deflection. Lower the Rating factor, better the alternative solution. From the table it is clear that the half rectangular pipe beam provides the best

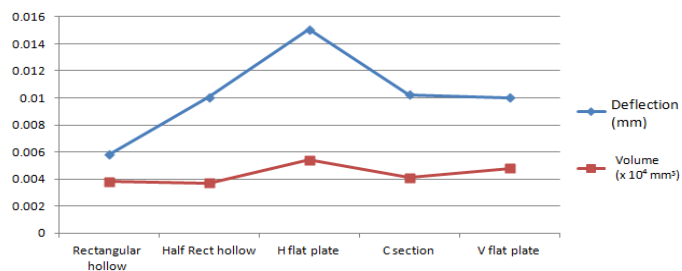


Fig. 6. Plot of the values of various cross-sections

solution. Hence, rectangular pipe beam of MS 60 x 40 x 2.6 is selected.

III. CONCLUSION



Fig. 7. Final Design of JOLIS GC 3000

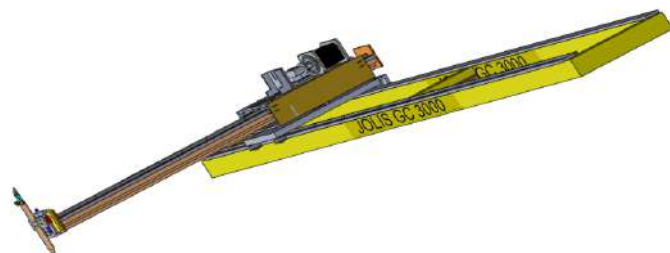


Fig. 8. Final Design of JOLIS GC 3000

As the structure of the JOLIS GC 3000 is designed and analyzed with the help of FEA Software, the deflections due to static loading are less than 0.1mm. These deflections were measured with the help of laser calibrators. Successful trial runs of the system were done by triggering the X and Y slide motors, initially with the help of a PLC system. This trial run proved that the system was as designed and all loading conditions were met. ANSYS simulations results were seen to be identical, implying that the models were accurate. The completion of the project entails the calibration of the Controller, Gas torch and Z-axis motor. Till now, the project seems to be running smoothly and on time. Recent tests that were conducted resulted in an accuracy of $\pm 1 \text{ mm}$. The JOLIS GC 3000 was able to produce a variety of simple and complicated shapes that were available in the controller's library. Further, all the initial desired key features are incorporated and functioning as desired. Future improvements such as weight reduction, introducing sensors and height compensation to provide a closed loop, complicated controls modeled by better mathematical formulations like NURBS can be implemented. JOLIS GC 3000 provides an easy, fast, reliable and accurate automation solution for Gas Cutting.



Fig. 9. Final Build



Fig. 10. Prep for First cut



Fig. 11. First cut of JOLIS GC 3000

ACKNOWLEDGMENT

We wish to convey our gratitude towards our mentor, Prof. D.S.S. Sudhakar (H.O.D. Production, Prof. Dipali K. Bhise and Dr. Srija Unnikrishnan(Principal) Fr. CRCE, Bandra.

REFERENCES

- [1] Richard, L. Little, Welding and Welding Technology, TATA MCGRAW-HILL PUBLISHING COMPANY Ltd, New Delhi,1973, pp. 81-87
- [2] Mehdi Hajianmaleki and Mohammad S. Qatu, 2011, "Mechanics of Composite Beams ", Ph.D., thesis, Mississippi State University, USA.
- [3] Yousif K. Yousif, "Experimental and Theoretical Analysis of Composite (Polyester and Silicon-Carbide) Cantilever Beam", Al-Khwarizmi Engineering Journal,2012, Vol.8, No. 3, pp. 12-23.
- [4] Dong Yu, Yi Hu, Xun W. Xu, Yan Huang, and Shaohua Du, "An Open CNC System Based on Component Technology", IEEE TRANSACTIONS ON AUTOMATION SCIENCE AND ENGINEERING,2009, VOL. 6, NO. 2, pp. 302-310.
- [5] Johnson, R.P., "Composite Structure of Steel and Concrete (Volume 1)", ,1994,Blackwell Scientific Publication (Second Edition), U.K., pp. 21-31.
- [6] Manal,Hameed Jasem, "Study the effect of the variation of layers thickness on the bending characteristics of the composite beam", Al-Qadisiya Journal For Engineering Sciences,2012, Vol. 5, No. 4, pp. 354-366.
- [7] LINDE Industrial Gases Division, Acetylene ... there is no better fuel gas for oxy-fuel gas processes, LINDE AG, Hllriegelskreuth,2012, pp. 1-24
- [8] Bhatia,A., "FUNDAMENTALS OF GAS WELDING and CUTTING, Continuing Education and Development", Inc., New York,1998, pp. 2-73.
- [9] Alaatin Aktas, "Determination of deflection function of a composite cantilever using theory of ANISOTROPIC Elasticity", Mathematical and Computational Applications, 2001,Vol. 6, No. 1, pp. 67-74.
- [10] Jianguo Nie, Jiansheng Fan, and C. S. Cai, "Stiffness and Deflection of SteelConcrete Composite Beams under Negative Bending", Journal of Structural Engineering,2004,Vol. 130, No. 11, pp. 1842-1851
- [11] Dr. Ibrahim, A. Assakkaf, "Mechanics of Materials", The McGraw-Hill Companies, New York,2003, pp.46-47.
- [12] <http://www.roymech.co.uk>, Roy, Beardmore,"Elastic Bending Theory", 2013, pp. 1-7.,

ICAC3'15

Computer Aided Design And Analysis of Volatile Separating Device

Prasad Kawade^a, B.S.Ajit Kumar^b, Kashyap Anandpara^c, D.S.S.Sudhakar^d

^aMechanical Engineering, FR. Conciecao Rodrigues College of Engineering, Bandra, Mumbai University, Pin 400050, India.

^bDepartment of Chemistry, Guru Nanak Khalsa College, Mumbai University, MP Road, Matunga, Pin 400019 India.

^cProduction Engineering, FR. Conciecao Rodrigues College of Engineering, Bandra, Mumbai University, Pin 400050, India.

^dProduction Engineering, FR. Conciecao Rodrigues College of Engineering, Bandra, Mumbai University, Pin 400050, India.

Abstract

Volatiles in the current context are molecules with boiling point up to 200^oC. Conventional methods for separating volatiles are biased towards one of the physical or chemical properties of the molecule and hence are not complete. So volatiles separated from the mother matrix will contain fewer molecules and even the most precise instruments can resolve only fewer molecules. On the other hand a better sampling device utilizing thermal desorption, kinetic desorption, solubility in steam, desorption by microwave, desorption by magnetic induction or laser can separate larger number of molecules and hence can enhance the efficiency of instruments like MS. A sampler using thermo-kinetic desorption was fabricated in house and comparative study was conducted against conventional techniques. A 25 percent increase in peaks was observed when analysed with GC. The possibility of thermal decomposition was ruled out by conducting GC- MS studies.

The aim of the current study is to develop a highly precise sampling device with global standards and has wide applications in the field of aromatic, analytical, biological and medical fields.

© 2015 The Authors. Published by Elsevier B.V. This is an open access article under the CC BY-NC-ND license

(<http://creativecommons.org/licenses/by-nc-nd/4.0/>).

Peer-review under responsibility of organizing committee of the 4th International Conference on Advances in Computing,

Communication and Control (ICAC3'15)

Keywords: Desorptor Cartridge Heaters; Turbulent Kinetic Energy; Turbulent Intensity; Turbulence Dissipation Rate; Peltier Chips; Heat Sink; Linear Motor.

1. INTRODUCTION

This Report describes a new design approach that came from a volatile separation technology. The conventional methods, separated volatiles from materials from Organic matters are biased to any single physico-chemical properties of the volatile and are efficient to separate low boiling fractions only. The goal of this new design approach is to

* Prasad Kawade. Tel.: +91-720-860-7274 .
E-mail address: kawadepasad@gmail.com

* B.S.Ajitkumar. Tel.: +91-970-233-3880 ;
E-mail address: bsajitkumar@gmail.com

provide better heating and cooling modes, Equipment, maintaining of inert atmosphere in envelope, well stabilized desorption-adsorption process for volatiles from the provided organic matter.

Volatile is a substance which can change state from a solid or liquid to vapour. Gas chromatography (GC) is the instrument used to study volatiles and it can analyse molecules whose boiling points are as high as 250°C or more. But it is necessary to make sure that Non-volatile material should not enter into the GC column. So there is a requirement of a safe sampling device for GC. Sampling device is separator unit, which will extract the molecules or volatiles from the given sample.

The Prototype device for this is already manufactured, which is a POC (Proof of Concept). The goal of this report is to reduce the size of complete equipment, modular design. For the purpose of heating the envelope electrical heaters are used with sensor for establishment of feedback control system. Also for cooling the purpose electric cooling chip are used, which works on peltier effect.

This report also analyses influence of the internal geometry design over flow path of nitrogen gas and turbulence created by pressurized nitrogen gas, with the help of CFD software.

2. Literature Review

Following literature describes the prototype of Volatile Extraction Device developed previously. This device works on thermo-Kinetic Principle of extraction. The equipment contains following parts^[4]:

1. PID Controller.
2. Electrical Circuit.
3. Flow and Temperature control.
4. Desorptor and Condenser.
5. Absorbent.
6. Heating and cooling Media.
7. Critical components of the system are design and geometry of Desorptor and Condenser, selection of heating and cooling media, absorbent material, and feedback control system for governing temperature, flow and Pressure.

2.1. Working

A solid or semisolid sample containing volatiles is heated using multiple sources in a current of dry or moist (controlled) Nitrogen and the effluents are driven to a frigid cartridge pre-loaded with appropriate adsorbent. Once the adsorption is complete, the cartridge can be flash heated and the pneumatics drive the volatiles through appropriate membrane filters to the GC for analysis. Membrane filters are used to selectively detain water molecules and molecules of particular choice. Fig.1 shows the typical layout of existing system.

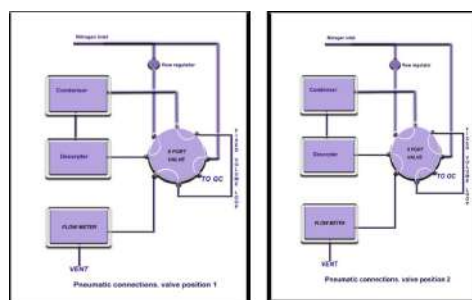


Fig. 1. Typical Layout of Existing System.^[4]

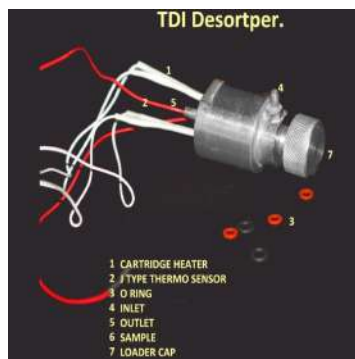


Fig. 2. Prototype Desorptper.^[4]

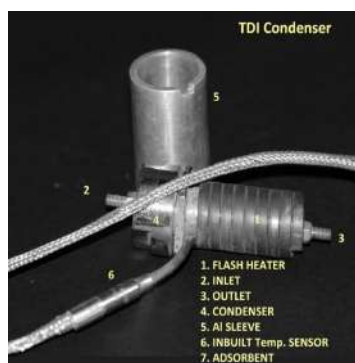


Fig. 3. Prototype Condenser.^[4]

2.2. Description of various sub-systems

1. **Desorptper:** Fig.2 shows desorptper unit, which is a single piece unit carved out of 316 grade stainless steel (food and surgical grade, ideal for pressure reactors and boilers and is corrosion resistant) and fitted with screw cap for sample load. A GC septum or O rings secured airtight sealing. Holes are drilled in the body to accommodate the cartridge type heaters and temperature sensors. The heaters and sensors are connected to the thermostat and can be programmed from ambient temperature to 350°C in multi steps.
2. **Condenser:** Fig.3 shows the condenser unit is slightly more complex than the desorptper both in functioning and in construction. The main body is 316 stainless steel cylinders with a 1cm x 6cm hole drilled in. The adsorbent material is packed in here. A special heater with inbuilt thermo sensors is wound around the condenser tightly. This heater is capable of heating the condenser to $250^{\circ}\text{C} \pm 1^{\circ}\text{C}$ in just 5 seconds. The cooling system consists of two aluminium boxes with cylindrical slit at its centre. These boxes are driven with a lever system to separate them from the condenser or to bring them close to the aluminium sleeve. The coolant used is a mixture of dry ice and acetone.

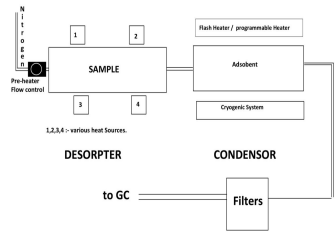


Fig. 4. Proposed Volatile Separator Systems. [4]

3. Method

Fig.4 shows proposed modular system, in which desorptor can be heated by various sources like coil, cartridge, lasers, induction heaters. Condenser unit is separately cooled followed by flash heating.

3.1. Desorptor Design

CFD Analysis on Previous Design:

Fig.5 shows the CAD model of previously developed desorptor. The sample is kept in bore and closed with cap which is threaded. At the inlet nitrogen gas of room temperature and at pressure of 2 Bar enters into the chamber. Two Cartridge heaters of 100 watts each placed heat up the internal volume. These cartridge heaters provide temperature up to $250^{\circ}c$ in 20 minutes.

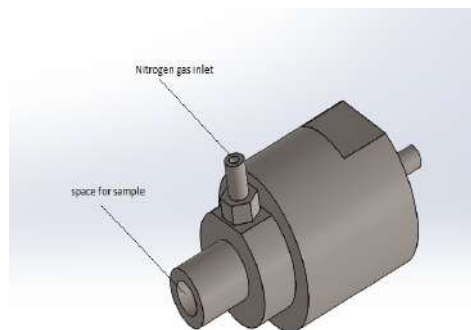


Fig. 5. CAD Model of Old Desorptor.

Boundary Conditions for flow Analysis:

Inlet Pressure- 2Bar

Inlet temperature-300k

Wall Temperature-623k

Outlet temperature-300k

Viscous Model- K-epsilon

Result:

In fig.6, At the inlet pressure is around $1.83e^{05}$ pa. After impact pressure reduces to $1.62e^{05}$ pa. When gas travels through outlet, the cross section is reduced to 2 mm due to which pressure drops further to $1.04e^{04}$ pa which is nearly atmospheric pressure.

In fig.7, It is observed that in the velocity profile flow direction is perpendicular to sample bore axis. Due to straight impact of nitrogen stream with pressure value 2 bars, the flow is dispersed and lot of turbulence is created. Maximum

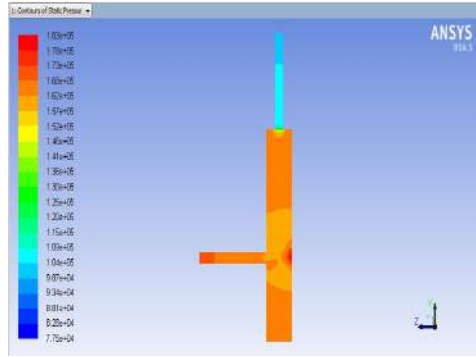


Fig. 6. Pressure contour.

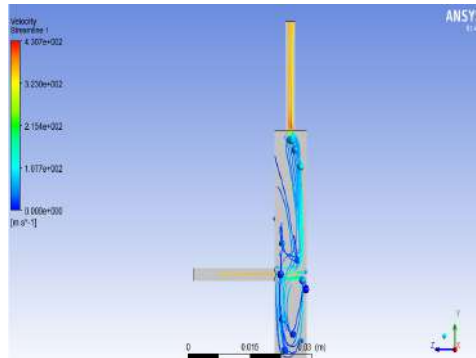


Fig. 7. Velocity contour for old design.

velocity is at outlet, which is approximately around 420 m/s which is very high.

Fig.8 shows that at outlet where the cross section is suddenly reduced is having maximum turbulence Kinetic energy.

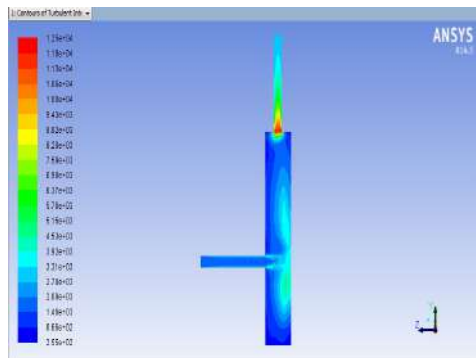


Fig. 8. Turbulence Kinetic energy.

But the flow should be less turbulent to carry the volatiles out of the chamber. Hence it is very necessary to streamline the flow once volatiles are extracted.

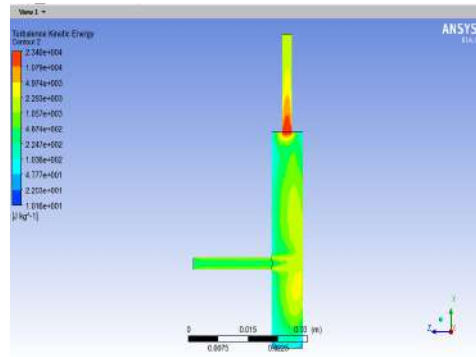


Fig. 9. Turbulence Intensity energy.

Fig.9 shows that the range of turbulence intensity in the unit after nitrogen gas enters is around $2.55e^2$ to $1.25e^4$. This contour also shows that the region where cross section area is reduced suddenly, TI value is highest around $2.55e^2$.

3.2. Practical Data For Old Desorpter

Pressure at outlet: Near to Atmospheric Pressure (101325 pa)

Time taken by heaters to heat the desorpter : 20 minutes

It is observed that the experimental values and Simulation values are matching. Hence we can say that the CFD simulation is Valid.

3.3. New Desorpter Design

We modified the design of component. In new design, the direction of flow is at an angle so that turbulence wont create backflow. Because backflow will restrict the movement of volatiles and nitrogen from inlet. There is space for sample, so that it should not be displaced due to impact of nitrogen gas. Also the outlet tube is tapered fir internal hole, to avoid backflow loop at outlet of chamber as shown in fig.10.

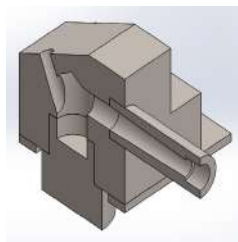


Fig. 10. CAD model of Modified Design of Desorpter.

3.4. Heaters Selection

To improve the heat generation rate and minimise the heating time we used following equation for raising the temperature of unit up to temperature of $250^{\circ}C$ in 10 minutes, the wattage of heater is given by:

$$KW = \frac{Wt.C_p.\Delta T}{3412.H} \quad (1)$$

W_t = weight of material to be heated

C_p = Specific Heat of Stainless steel

T = Temperature rise.

H = Heating time in Hours.

It is decided to use two heaters of 150 watts power.

3.5. Simulation of New Desorptor Design with CFD

Boundary condition:

Inlet Pressure : 2 Bar

Internal Temperature: 623 k

Turbulence Equation: K-epsilon model.

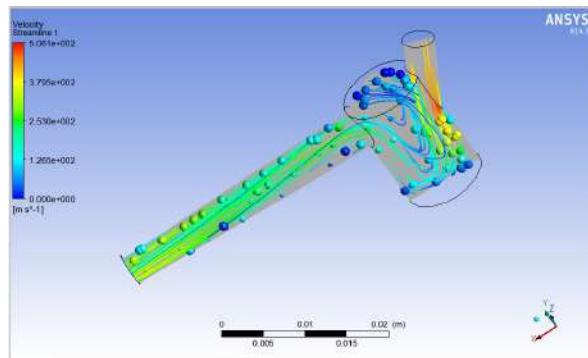


Fig. 11. Velocity Streamline for modified design.

The fig.11 shows the path of nitrogen gas travels from inlet to outlet. It is reduction from 506 to 379 m/s approximately.

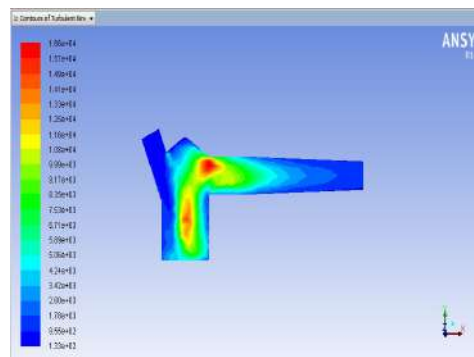


Fig. 12. Turbulent Kinetic Energy Contour.

In fig.12, The range of TKE is from 49.3 to $16500 \text{ m}^2/\text{s}^2$. It is maximum where the stream of nitrogen gas is coming from inlet of diameter 4mm and entering in suddenly enlarged region of diameter 15mm. This is where we need maximum turbulence to occur. As soon as it strikes on sample with full kinetic energy, the path of gas molecules is disturbed. As compared to old design the TKE at outlet is decreased due gradual decreasing cross section area towards outlet.

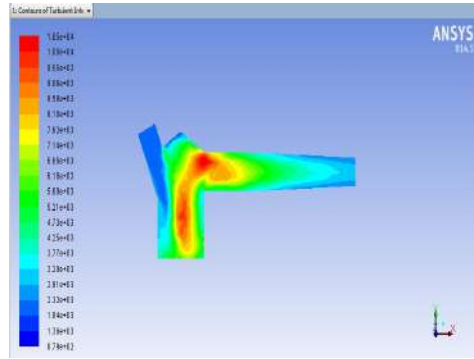


Fig. 13. Turbulence Intensity.

The goal of this design was to allow turbulence at sample space and avoid it at outlet zone. Fig.13 shows that new design will satisfy this requirement of the process. As it show that turbulence intensity at sample space around $10500 \text{ m}^2/\text{s}^3$ and at the outlet it is very less.

3.6. Turbulence model

The $k-\varepsilon$ model has become very popular due to the important role played by k in the interpretation of turbulence in addition to the fact that ε appears directly in the transport equation for k . This turbulence model provides a good compromise between generality and economy for many CFD problems. The exact transport equation for the turbulent kinetic energy, k , can be deduced from the equation for the kinetic energy by Reynolds decomposition and reads.

$$\frac{\partial k}{\partial t} + U_j * \frac{\partial k}{\partial x_j} = -(U_i U_j) \frac{\partial U_i}{\partial x_j} - V \left(\frac{\partial U_i}{\partial x_i} * \frac{\partial U_i}{\partial x_i} \right) + \frac{\partial}{\partial x_i} \left(V \frac{\partial k}{\partial x_i} - \frac{\langle U_i U_{ii} U_j \rangle}{2} - \frac{\langle U_j p \rangle}{\rho} \right) \quad (2)$$

The exact ε equation can be written as:

$$\frac{\partial \varepsilon}{\partial t} + U_j * \frac{\partial \varepsilon}{\partial x_j} = C_{\varepsilon 1} V_T \frac{\varepsilon}{k} \left[\left(\frac{\partial U_i}{\partial x_j} + \frac{\partial U_j}{\partial x_i} \right) \frac{\partial U_i}{\partial x_j} \right] - C_{\varepsilon 2} \frac{\varepsilon^2}{k} + \frac{\partial}{\partial x_j} \left[\left(V + \frac{V_T}{\sigma_\varepsilon} \right) \frac{\partial \varepsilon}{\partial x_j} \right] \quad (3)$$

Where,

k -Kinetic Energy

U_i - Velocity in X-direction

U_j -Velocity in Y-direction

ν - Kinematic Viscosity

ρ -Density

C -Constant

ν_T -local turbulent viscosity

σ_ε - Prandtl-Schmidt number

This model is suited for flows in which the turbulence is nearly isotropic and flows in which the energy cascade proceeds in local equilibrium with respect to generation. Furthermore, the model parameters in the $k-\varepsilon$ model are a compromise to give the best performance for a wide range of different flows. The accuracy of the model can therefore be improved by adjusting the parameters for particular experiments. As the strengths and weaknesses of the standard $k-\varepsilon$ model have become known, improvements have been made to the model to improve its performance.

3.7. Condenser Design:

The function of condenser is to concentrate the volatiles by first cooling them up to -30°C and trapping it with in absorber. Absorber is a porous material which only allows nitrogen gas to pass through and will trap volatile. Again to release the volatiles absorber is flash heated up to 250°C . Then it delivers the volatile in GC machine. Fig. 14 shows the sectional 3D view of previous condenser and porous absorbent material.

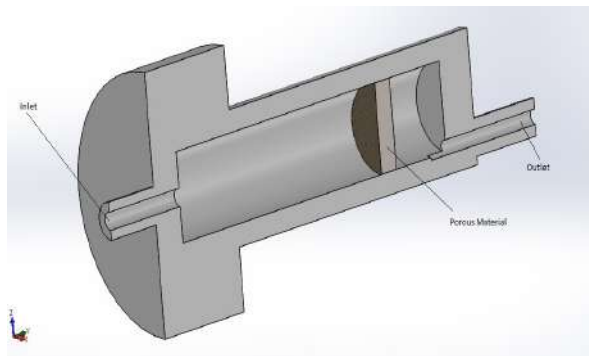


Fig. 14. 3D Model of Condenser.

Specifications of Old Condenser: Inlet Diameter = 4mm
 Outlet Diameter = 4mm
 Internal Space Diameter = 12mm
 Total Length = 85mm
 Porous disc Size = ϕ 12 x 3 mm
 Porous disc Material = Bentonite
 Component Material = SS316 (Food Grade)
 Mass = 180 gms.

3.8. Heating and Cooling Set-up

Dry ice-acetone system which is a cooling bath is a liquid mixture used to maintain low temperatures, typically between 13 to -78°C was used to cool the condenser. It uses mixture of 3 components. Components are cooling agent (dry ice), a liquid carrier (Acetone) and an additive to depress the melting point of system.

Cooling process, the volatiles are trapped in the porous disc. So to release them and transport them to GC machine, the temperature of fluid domain need to be raised to 250°C within 2 minutes. So to flash heat the condenser, special coil heaters are made, which fits on the condensers outer surface.

3.9. Condenser System Design

For cooling purpose it is decided to use Peltier chip for ease of manufacturing and operation. Fig.15 represents 3D model of new condenser designed to accommodate the cartridge heaters and peltier chips. Fig.16 shows typical 3D model of peltier chips and carrier arrangement. Peltier chip works on reverse principle of peltier effect. In order to cool the condenser up to -30°C , we need to know how much heat is to be extracted from condenser when it is in room temperature. So the heat to be extracted from condenser:

$$Q = m.C_p.\Delta T = 19,960J \quad (4)$$

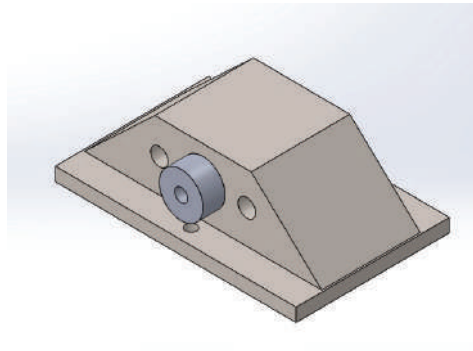


Fig. 15. 3D Model of New Condenser.

Total heat to be extracted from condenser is 166.33 watts. But a single peltier chip would be insufficient. hence It is decided to use 3 peltier chip. According to available peltier chip in the market, the following specifications are best suited for the purpose:

Model - TEC01-12704

Size - 40X40X4.7 mm

Imax - 4 Amp.

Voltage - 15 V

Qmax -37.7 watts.

ΔT - 67 k

Peltier chips will get damaged when exposed to temperature exceeding 100°C . Hence to prevent chips from getting damaged, it needs carrier of thermally conductive material. When carrier is in contact with condenser surface, it will transfer heat from condenser to chip and when condenser is flash heated it will break the contact with condenser by means of mechanical linkages.

So to move peltier along with carrier, we have used linear motor. This linear when energized, moves its shaft in linear vertically upward direction. The figure below shows typical arrangement of Condenser, Linear motor, Brackets, Peltier chip, Carrier, Heat sink in set up.

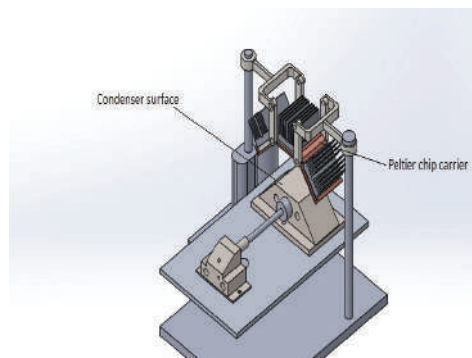


Fig. 16. Peltier chip in Disengaged position.

3.10. Heat Sink Selection

Application of Heat sink in this is the same, i.e. Dissipation of heat. the heat which generated on top side of peltier chip can dissipated by using Heat Sink and Blowing fans.

To select the heat sink, we need to determine the Junction to ambient thermal Resistance. Thermal resistance for junction to ambient:

$$R_{j-a} = \frac{T_j - T_a}{Q} \quad (5)$$

R_{j-a} = Resistance junction to ambient = 1.31 $^{\circ}\text{C}/\text{W}$

T_j = Junction Temperature = 67 $^{\circ}\text{C}$

T_a = Ambient temperature = 20 $^{\circ}\text{C}$

Q = Total heat developed = 36 watts

3.11. Thermal Analysis of Heat Sink

Heat generated by Peltier chip

$$Q = m.C_p(t_2 - t_1) = 925J \quad (6)$$

Where, m- Mass of device

cp - Specific heat of Silicon

t_2 - Hot side temperature of peltier chip

t_1 - Room Temperature Heat Dissipated by fins:

$$Q_{fin} = KA_c m(t_2 - t_1) \left[\frac{h \cosh mL + mk \sinh mL}{mk \cosh mL + h \sinh mL} \right] = 307.05 \text{Watts} \quad (7)$$

Where,

k = Thermal conductivity of Aluminium.

A_c = Surface area.

h = Heat transfer coefficient.

L = Length of Fins.

3.12. Convective heat transfer coefficient

$$G_r = \frac{gL^3\beta t_2 - t_1}{\nu^2} = 13.74E6 \quad (8)$$

Where,

g = Acceleration of gravity

β = Air thermal expansion coefficient = $\frac{1}{t_1}$

ν = Kinematic Viscosity

Prandtl number:

$$P_r = \frac{\mu C_p}{k} = 0.83 \quad (9)$$

Where,

μ = Dynamic Viscosity of air

c_p = Air Specific heat

k = Thermal Conductivity of air

Rayleigh number:

$$R_a = G_r P_r = 11.40E6 \quad (10)$$

Where,

G_r = Grashof number

P_r = Prandtl number

Nusselt number:

$$N_u = 0.27R_a^{0.25} = 15.68 \quad (11)$$

Convective heat transfer Coefficient:

$$h_c = \frac{N_u k}{L} = 8.6 \text{ Watt} \quad (12)$$

3.13. Heating of Condenser

After cooling process, the volatiles are trapped in the absorber porous material. Further these volatiles need to be released from the porous zone. In order to release them, we need to heat the condenser up to temperature 250°C in 3 minutes.

Wattage calculation for Cartridge heaters:

$$W = \frac{W_t C_p \Delta T}{3412H} = 471.86 \text{ Watt} \approx 500 \text{ Watt}. \quad (13)$$

Wt = weight of material to be heated = 0.7 kg
 C_p = Specific Heat of Stainless steel = $500 \text{ J/kg}^\circ\text{K}$
 ΔT = Temperature rise = 230°C
 H = Heating time in Hours = 0.05

3.14. Selection of Absorbent Material

After heating the condenser, flow of nitrogen gas at atmospheric pressure is passed through cold trap. This flow drives the released volatiles out of the condenser and moves them towards GC.

The absorbent material selected is bentonite.

Specifications of bentonite:

Particle size - mesh 2-3 mm.

Surface Area - $\frac{61\text{m}^2}{\text{g}}$

Temperature range - good stability over 350°C

Pore size - 59.31 Å.

3.15. Mechanism to move the Peltier chip unit.

It is necessary to keep the peltier set up away from the condenser, when it is heated. So we decided to use the linear motor for the purpose. The total load to be lifted is approximately 0.7 kg.

Specification of Linear Motor:

Brand - Progressive Automations

Model - PA-14 Linear Actuator

Voltage - 12V

Current - 5A

Load Capacity - 35 lbs

Stroke Length - 3 Inches

In fig.17, the Linear Motor is kept on one side of the condenser. Carrier and shaft of Linear motor connected by a bracket; so that when shaft moves upside, simultaneously the carrier will move in same direction disengage the cooling process. If cooling process need to engage again, then shaft movement will be downward.

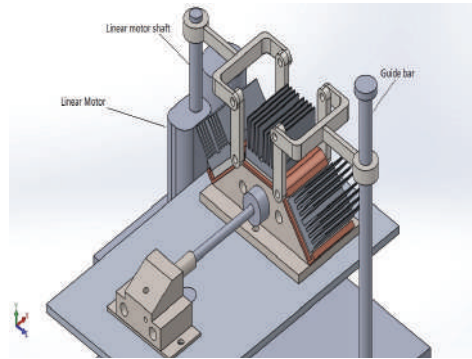


Fig. 17. Peltier set up moving Mechanism.

3.16. Heat transfer Analysis for Condenser

To determine the heat distribution analytically, we had transient thermal transient analysis for new condenser model. Fig.18 shows the arrangements of cartridge heaters placed in the bores. Following boundary condition were

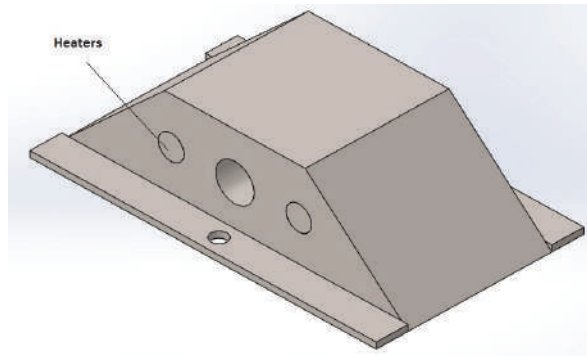


Fig. 18. Condenser model with 2 Heaters.

applied:

Initial Temperature - $20^{\circ}C$

Maximum Temperature - $250^{\circ}C$

Heat Transferred from heaters to Condenser:

$$Q = mC_p(t_2 - t_1) = 80.5KW \quad (14)$$

Where,

m = Mass of Condenser Body

c_p = Specific heat of stainless steel

Time of heating = 300 seconds

3.17. Result:

Fig.19 shows the relation between time and temperature rise. So the graph shows that after 100 seconds the temperature of condenser reaches near $250^{\circ}C$.

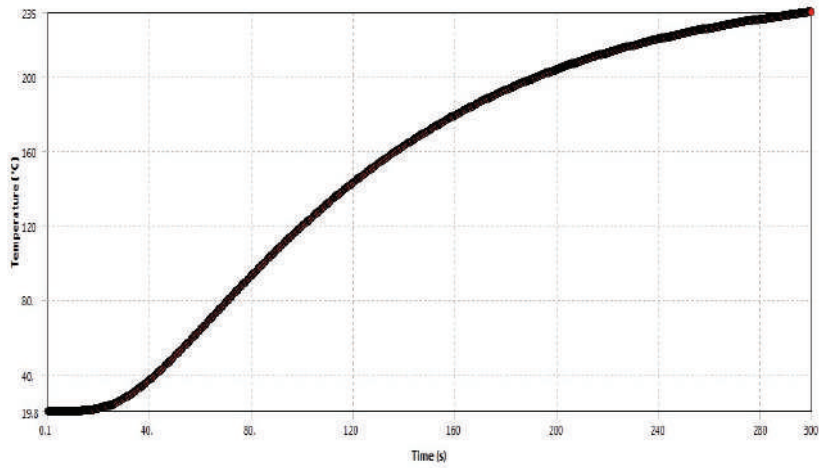


Fig. 19. Graph of Temperature Vs. Time for Condenser.

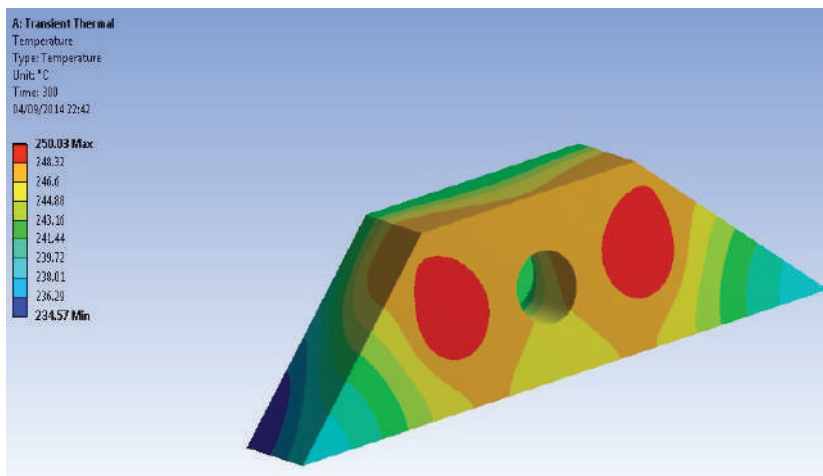


Fig. 20. Temperature contour for condenser.

Fig.20 shows temperature contour for condenser. The temperature 300°C is given to the heaters and analysis shows that the complete unit will heat up near 299°C in 5 minutes. The radiation, conduction, convection losses are not considered as unit size is small.

4. Conclusion

In a desorptor, the volatiles are desorbed by thermo-kinetic principle. The pattern of the turbulence generated in this is investigated using CFD tools.

After analysing data simulated from desorptor, it is observed that the turbulence in the sample chamber is function of Geometry of chamber and outlet of desorptor.

In desorptor design, after modelling geometry it is found that using $k-\varepsilon$ two equations turbulence model is sufficient to predict the flow and turbulent intensity in chamber. The previous desorptor unit is also analysed using same equations, after which the output data from practical experimentation and CFD simulation are matched. Using CFD tool number of experiment conducted to select best geometry. One of the important selection parameter is turbulence intensity in sample chamber and pressure magnitude at output, which should be near to atmospheric pressure.

In the new condenser set up, the geometry needs to be change to accommodate the peltier chips set up for cooling it below $0^{\circ}c$. Also the cartridge heaters as heating element are used instead of coil heaters. While designing the system, precautions are taken to avoid the exposure of peltier chip to temperature exceeding $100^{\circ}c$. Because peltier chips are delicate instrument which may damage by temperature above $100^{\circ}c$. Condenser function is to cool internal mixture then flash heating it upto $250^{\circ}c$. So while heating the condenser at such higher temperature, we need to move the peltier set up away from condenser. For this purpose, Linear motor mechanism is used. This mechanism is used as it is compact and easily controlled by embedded controllers.

In the future scope, the volatile separating mechanism can be further developed by improving some factors like heating sources and more efficient peltier chips.

Heating sources like Induction, magnetic, microwave and laser heating may have different results, depending on nature sample to be used in order desorb out more molecules.

Also using more efficient peltier chip will avoid the need of moving mechanism. This will benefit in terms of size and weight of the overall system.

In existing design, for heating purpose cartridge heaters are used. This heating process can be replaced by other heating processes Induction, Magnetic, laser in order to desorb out more molecules from sample matrix.

Using more efficient and high temperature resistant peltier will avoid use of Moving mechanism, so that system size and costing can be further reduced, which will allow system to be very compact and light weight.

References

1. Dragica Jost et al., "Improvement of Efficiency Prediction for a Kaplan Turbine with Advanced Turbulence Models ", Journal of Mechanical Engineering, slovenia, vol. 60, pp.124-134, 2014.
2. G. T. Chapman and M. Tobak, "Observations, Theoretical Ideas, and Modeling of Turbulent Flows Past, Present and Future, in Theoretical Approaches to Turbulence, Dwoyer et al. (eds), Springer-Verlag ", New York, 1985, pp. 1949.
3. D.Roncati, "Iterative calculation of the heat transfer coefficient ", Progettazione Ottica Roncati, Italy, 2013.
4. B.S.Ajit Kumar, Ajit Datar, "Designing and Construction of a Volatile Separating and Sampling Device Based on Thermo Kinetic Principles"Gurunanak Khalsa college, Mumbai, 2013.
5. Daniel D. Pollock, "Thermoelectricity Theory: Thermometry, Tool, issue 852 ", ASTM International, Conshohocken,U.S., 1985, pp.112.
6. Jiyuan Tu et al. "Computational Fluid Dynamics"Heinemann publications, Oxford, 2013, pp.61-117.
7. Landau, L.D. and Lifshitz, E. M., 1959, Fluid Mechanics, Pergamon Press, Oxford.
8. Bengt Andersson et al. "Computational fluid dynamics ", Cambridge University Press, Cambridge, 2012, pp.62- 99.
9. Dr. R.Yadav, "Heat and Mass Transfer ", Central Publishing House, Allahabad, 2007, pp 177-224.
10. J.M. McDonough, "Introductory Lectures on Turbulence physics, mathematics and modelling ", University of Kentucky, U.S., 2007, pp.6-10.
11. <http://www.gerstel.com/en/thermal-desorption-system-tds.htm>
12. <http://www.markes.com/Instrumentation>

Access provided by:
Fr.Conceicao rodrigues College of Engineering
 Sign Out

Browse

My Settings

Get Help

Advertisement

Conferences > 2015 International Conference...

Improving the performance of assembly line: Review with case study

Publisher: IEEE

4 Author(s) Arun.B. Rane ; D.S.S. Sudhakar ; Vivek k. Sunnapwar ; Santosh Rane **View All Authors**

3 Paper Citations
622 Full Text Views

Abstract

Abstract: Context: Continuous Improvement in manufacturing to attain manufacturing excellence is today's requirement. It gives cutting edge over the competitors. This has developed... **View more**

Document Sections

- 1. Introduction
- 2. Research Objectives and Methodology
- 3. Literature Review
- 3.2 Mathematical Modeling Approach
- 4. Research Gaps

Metadata

Abstract: Context: Continuous Improvement in manufacturing to attain manufacturing excellence is today's requirement. It gives cutting edge over the competitors. This has developed lot of interest for the researchers during the last few years. Vehicle Assembly Line being the most complex Assembly line has been active area of research over years and has attracted many researchers. Objective: This paper systematically identifies and unfolds the important parameters by systematic review. Goal of this Research is to develop a novel classification of literature on Assembly Line and to improve the performance of vehicle assembly line using Lean implementation and Simulation approach.

Methodology: Total of 116 referred journal articles in the domain of Vehicle assembly are reviewed here. Data is sourced from 40 publications, majority of which includes Elsevier, IEEE, and Springer. Further a mathematical model is developed considering the effect of number of resources, Break time, Downtime of machines and Absenteeism. A real world case study is done for a period of one year in a reputed vehicle assembly manufacturing plant. Results: Analysis of research on Assembly Line Balancing and optimization within many different industrial scenarios has been done her. This paper contributes to existing domain by classifying and comparing the means for input data, constraints and methodology used. It has been classified into five heads. A real world case study is done in reputed Company. Cycle time was reduced from 110 seconds to 100 seconds.

Conclusion: It is difficult to perform the experiments like Design of Experiments (DOE) in complex manufacturing systems. Simulation allows us to test different concepts, various options without having to build prototypes. A case study done in Vehicle assembly shows the importance of Simulations to improve its performance measures. Limitations of the Research: The research does not completely optimize the production parameters. It improves the production sy...

(View more)

Published in: 2015 International Conference on Nascent Technologies in the Engineering Field (ICNTE)

More Like This

Modeling and Optimization of multiple product FMS using Colored Petri Net and Design of Experiment
 2007 IEEE International Conference on Networking, Sensing and Control
 Published: 2007

Performance comparison of the virtual cell layout with cellular and job shop configurations using simulation and design of experiments

2013 IEEE International Conference on Automation Science and Engineering (CASE)
 Published: 2013

View More

Top Organizations with Patents on Technologies Mentioned in This Article



Accept & Close

IEEE websites place cookies on your device to give you the best user experience. By using our websites, you agree to the placement of these cookies. To learn more, read our Privacy Policy. 14904340

IEEE websites place cookies on your device to give you the best user experience. By using our websites, you agree to the placement of these cookies. To learn more, read our [Privacy Policy](#).

Accept & Close

Finite Element Analysis of Conformal Cooling for Reduction of Cycle Time to Enhance Performance in Plastic Injection Molding Process

Recent Advances in Mechanical Infrastructure pp

255-264 | Cite as

Conference paper

First Online: 19 October 2019

Part of the [Lecture Notes in Intelligent Transportation and Infrastructure](#) book series (LNITI)

Abstract

The use and improper placement of conventional cooling channels leads to uneven cooling of the mold surfaces, which results in defects like sink marks, warpage, and thermal residual stresses. The design variables considered for the cooling are mold and melt temperature, injection time, cooling time, cooling temperature, packing time, and packing pressure. Conformal cooling channels are used to improve the cooling system design and to reduce the defects. Temperature distribution along the mold cavity is studied in this paper. In the proposed design method, the cooling channel is produced by the design tool and the results have been compared with simulated results produced by ANSYS software. The transient thermal analysis in ANSYS workbench is performed to analyze the thermal response of rapid heating and cooling of mold to see the effects on mold heating and cooling efficiency and the cycle time of molding operation. The maximum temperature and minimum temperature were reduced by 18.78%. The analysis has been done for hot and cold runners.

Keywords

Injection molding Temperature distribution Cooling efficiency Conformal cooling

This is a preview of subscription content, [log in](#) to check access.

References

1. Dang XP, Park HS (2011) Design of U-shape milled groove conformal cooling channels for plastic injection mold. *Int J Precis Eng Manuf* 12(1):73–84
[CrossRef](https://doi.org/10.1007/s12541-011-0009-8) (<https://doi.org/10.1007/s12541-011-0009-8>)
[Google Scholar](http://scholar.google.com/scholar_lookup?title=Design%20of%20U-shape%20milled%20groove%20conformal%20cooling%20channels%20for%20plastic%20injection%20mold&author=XP.%20Dang&author=HS.%20Park&journal=Int%20J%20Precis%20Eng%20Manuf&volume=12&issue=1&pages=73-84&publication_year=2011) (http://scholar.google.com/scholar_lookup?title=Design%20of%20U-shape%20milled%20groove%20conformal%20cooling%20channels%20for%20plastic%20injection%20mold&author=XP.%20Dang&author=HS.%20Park&journal=Int%20J%20Precis%20Eng%20Manuf&volume=12&issue=1&pages=73-84&publication_year=2011)
2. Sun YF, Lee KS, Nee AYC (2004) Design and FEM analysis of the milled groove insert method for cooling of plastic injection moulds. *Int J Adv Manuf Technol* 24(9–10):715–726
[CrossRef](https://doi.org/10.1007/s00170-003-1755-2) (<https://doi.org/10.1007/s00170-003-1755-2>)
[Google Scholar](http://scholar.google.com/scholar_lookup?title=Design%20and%20FEM%20analysis%20of%20the%20milled%20groove%20insert%20method%20for%20cooling%20of%20plastic%20injection%20moulds&author=YF.%20Sun&author=KS.%20Lee&author=AYC.%20Nee&journal=Int%20J%20Adv%20Manuf%20Technol&volume=24&issue=9&pages=715-726&publication_year=2004) (http://scholar.google.com/scholar_lookup?title=Design%20and%20FEM%20analysis%20of%20the%20milled%20groove%20insert%20method%20for%20cooling%20of%20plastic%20injection%20moulds&author=YF.%20Sun&author=KS.%20Lee&author=AYC.%20Nee&journal=Int%20J%20Adv%20Manuf%20Technol&volume=24&issue=9&pages=715-726&publication_year=2004)
3. Altaf K, Majdi Abdul Rani A, Raghavan VR (2013) Prototype production and experimental analysis for circular and profiled conformal cooling channels in aluminium filled epoxy injection mould tools. *Rapid Prototyp J* 19(4):220–229
[CrossRef](https://doi.org/10.1108/13552541311323236) (<https://doi.org/10.1108/13552541311323236>)
[Google Scholar](http://scholar.google.com/scholar_lookup?title=Prototype%20production%20and%20experimental%20analysis%20for%20circular%20and%20profiled%20conformal%20cooling%20channels%20in%20aluminium%20filled%20epoxy%20injection%20mould%20tools&author=K.%20Altaf&author=A.%20Majdi&author=VR.%20Raghavan&journal=Rapid%20Prototyp%20J&volume=19&issue=4&pages=220-229&publication_year=2013) (http://scholar.google.com/scholar_lookup?title=Prototype%20production%20and%20experimental%20analysis%20for%20circular%20and%20profiled%20conformal%20cooling%20channels%20in%20aluminium%20filled%20epoxy%20injection%20mould%20tools&author=K.%20Altaf&author=A.%20Majdi&author=VR.%20Raghavan&journal=Rapid%20Prototyp%20J&volume=19&issue=4&pages=220-229&publication_year=2013)
4. Liu C, Cai Z, Dai Y, Huang N, Xu F, Lao C (2018) Experimental comparison of the flow rate and cooling performance of internal cooling channels fabricated via selective laser melting and conventional drilling process. *Int J Adv Manuf Technol* 96(5–8):2757–2767
[CrossRef](https://doi.org/10.1007/s00170-018-1799-y) (<https://doi.org/10.1007/s00170-018-1799-y>)
[Google Scholar](http://scholar.google.com/scholar_lookup?title=Experimental%20comparison%20of%20the%20flow%20rate%20and%20cooling%20performance%20of%20internal%20cooling%20channels%20fabricated%20via%20selective%20laser%20melting%20and%20conventional%20drilling%20process&author=C.%20Liu&author=Z.%20Cai&author=Y.%20Dai&author=N.%20Huang&author=F.%20Xu&author=C.%20Lao&journal=Int%20J%20Adv%20Manuf%20Technol&volume=96&issue=5&pages=2757-2767&publication_year=2018) (http://scholar.google.com/scholar_lookup?title=Experimental%20comparison%20of%20the%20flow%20rate%20and%20cooling%20performance%20of%20internal%20cooling%20channels%20fabricated%20via%20selective%20laser%20melting%20and%20conventional%20drilling%20process&author=C.%20Liu&author=Z.%20Cai&author=Y.%20Dai&author=N.%20Huang&author=F.%20Xu&author=C.%20Lao&journal=Int%20J%20Adv%20Manuf%20Technol&volume=96&issue=5&pages=2757-2767&publication_year=2018)
5. Saifullah ABM, Masood SH, Sbarski I (2012) Thermal-structural analysis of bi-metallic conformal cooling for injection moulds. *Int J Adv Manuf Technol* 62(1–4):123–133
[CrossRef](https://doi.org/10.1007/s00170-011-3805-5) (<https://doi.org/10.1007/s00170-011-3805-5>)
[Google Scholar](http://scholar.google.com/scholar_lookup?title=Thermal-) (http://scholar.google.com/scholar_lookup?title=Thermal-

[structural%20analysis%20of%20bi-metallic%20conformal%20cooling%20for%20injection%20moulds&author=ABM.%20Saifullah&author=SH.%20Masood&author=I.%20Sbarski&journal=Int%20J%20Adv%20Manuf%20Technol&volume=62&issue=1%E2%80%934&pages=123-133&publication_year=2012](#)

Copyright information

© Springer Nature Singapore Pte Ltd. 2020

About this paper

Cite this paper as:

Singraur D.S., Patil B.T., Rampariya Y.T. (2020) Finite Element Analysis of Conformal Cooling for Reduction of Cycle Time to Enhance Performance in Plastic Injection Molding Process. In: Parwani A., Ramkumar P. (eds) Recent Advances in Mechanical Infrastructure. Lecture Notes in Intelligent Transportation and Infrastructure. Springer, Singapore

First Online

19 October 2019

DOI

https://doi.org/10.1007/978-981-32-9971-9_26

Publisher Name

Springer, Singapore

Print ISBN

978-981-32-9970-2

Online ISBN

978-981-32-9971-9

eBook Packages

[Engineering](#)

[Buy this book on publisher's site](#)

[Reprints and Permissions](#)

SPRINGER NATURE

© 2019 Springer Nature Switzerland AG. Part of [Springer Nature](#).

Not logged in · Not affiliated · 114.143.244.2

Access provided by:
Fr.Conceicao rodrigues College of Engineering
 Sign Out

[Browse](#)

[My Settings](#)

[Get Help](#)

Advertisement

Conferences > 2017 International Conference...

Analysis of S-4180 using computational fluid dynamics

Publisher: IEEE

7 Author(s) Vidhiksha Patel ; Dipali Bhise ; Johney Xavier ; Bharat Kumavat ; Rakesh Lo... [View All Authors](#)

35
 Full
 Text Views

Production Engineering, Fr. Conceicao Rodrigues
 College Of Engineering, Mumbai, India

More Like This

Analysis of coupled internal external flow of aircraft configuration using computational fluid dynamics
 2013 International Conference on Energy Efficient Technologies for Sustainability
 Published: 2013

Parametric Optimization of Gas Purifiers: A Computational Fluid Dynamics (CFD) Modeling Approach
 2019 30th Annual SEMI Advanced Semiconductor Manufacturing Conference (ASMC)
 Published: 2019

[View More](#)

Top Organizations with Patents on Technologies Mentioned in This Article



Abstract

Abstract: Computational fluid dynamics is Virtual method of scientific and engineering investigation, concerned with the development and application of a video-camera like tool - a... [View more](#)

Document Sections

- I. Introduction
- II. Literature Review
- III. Computational Fluid Dynamics Analysis
- IV. Wind Tunnel Testing
- V. Results

Metadata

Abstract: Computational fluid dynamics is Virtual method of scientific and engineering investigation, concerned with the development and application of a video-camera like tool - a software - which is used to analyze a fluid dynamics as well as heat and mass transfer problem in a unified way. Here, the software is like a virtual video-camera and result in movie where each picture gives a fluid dynamics information, i.e., flow properties. The main objective of this paper is to use Computational Fluid Dynamic method for the analysis of two dimensional characteristics of airfoil s-4180 of Seligg. The coefficient of lift (Cl) and drag (CD) of s-4180 airfoil were successfully measured at an angle of attack 00-30 using CFD.

Published in: 2017 International Conference on Advances in Computing, Communication and Control (ICAC3)

Date of Conference: 1-2 Dec. 2017 **INSPEC Accession Number:** 17618588

Date Added to IEEE Xplore: 19 March 2018 **DOI:** 10.1109/ICAC3.2017.8318776

Publisher: IEEE

ISBN Information:

Conference Location: Mumbai, India

[Authors](#)

[Figures](#)

[References](#)

[Keywords](#)

[Metrics](#)

[More Like This](#)

Advertisement

Contents

SECTION I. Introduction

IEEE websites place cookies on your device to give you the best user experience. By using our websites, you agree to the placement of these cookies. To learn more, read our [Privacy Policy](#).

[Accept & Close](#)

IEEE websites place cookies on your device to give you the best user experience. By using our websites, you agree to the placement of these cookies. To learn more, read our [Privacy Policy](#).

Accept & Close

Evaluation of Surface Roughness by Machine Vision Using Neural Networks Approach



Ketaki Joshi and Bhushan Patil

Abstract Surface quality of industrial components is critical from operational, ergonomics and esthetics point-of-view. Surface roughness measurement using traditional contact-type instruments may not be feasible in the industries insisting on 100% inspection and monitoring. Machine vision-based machine learning has a potential of facilitating automated inspection of manufactured components for their surface quality. The paper presents a machine vision-based machine learning approach that works on the principle of surface texture characterization by vision-based texture analysis techniques followed by supervised machine learning using multilayer feed-forward artificial neural network with backpropagation for fitting the response (surface roughness) with the inputs (vision-based texture parameters). Performance of various texture analysis techniques based on the histogram, gray level co-occurrence matrix, Fourier and wavelet transform used for generating the training data and training algorithms used for training the networks are compared. The approach can be potentially used to estimate surface roughness of industrial components.

Keywords Surface roughness · Machine vision · Texture analysis · Artificial neural networks

1 Introduction

Evaluation of surface roughness (Ra) using machine vision-based machine learning approach is based on the principle of surface texture characterization of machined surface images using texture analysis techniques and machine learning to establish

K. Joshi (✉) · B. Patil
Fr. Conceicao Rodrigues College of Engineering, Affiliated to University of Mumbai,
Bandra, India
e-mail: ketaki.joshi@fragnel.edu.in

B. Patil
e-mail: bhushan.patil@fragnel.edu.in

© Springer Nature Singapore Pte Ltd. 2020
A. K. Parwani and PL. Ramkumar (eds.), *Recent Advances in Mechanical Infrastructure*, Lecture Notes in Intelligent Transportation and Infrastructure,
https://doi.org/10.1007/978-981-32-9971-9_3

25

Lecture Notes in Intelligent Transportation and Infrastructure
Series Editor: Janusz Kacprzyk

Ajit Kumar Parwani
PL. Ramkumar *Editors*

Recent Advances in Mechanical Infrastructure

Proceedings of ICRAM 2019

 Springer



Lecture Notes in Mechanical Engineering

Hari Vasudevan
Vijaya Kumar N. Kottur
Amool A. Raina *Editors*

Proceedings of International Conference on Intelligent Manufacturing and Automation

ICIMA 2018

 Springer

A Perspective of Integrated Machine Vision Based-Multivariate Statistical Process Control



Ketaki N. Joshi and Bhushan T. Patil

Abstract Machine vision systems have proven their potential of effectively inspecting objects under consideration for surface and dimensional defects using various texture analysis techniques. However, current use of machine vision systems in industry is broadly limited to acceptance or rejection of product based on its quality. Their potential of providing complete solution to quality is not completely explored and utilized. Hence their exist opportunities for utilizing machine vision systems not only for inspection, but going one step ahead and using it for quality control. The information extracted by machine vision systems, over the period, can be analysed for monitoring production processes and detecting out-of-control signals. This paper provides a review of the attempts made by various researchers in the direction of integrating machine vision techniques with statistical quality control methods for providing vision based solution for quality control.

Keywords Machine vision · Multivariate techniques · Statistical process control

1 Introduction

Automatic inspection systems using computer vision and image processing techniques are capable of accurate inspection and effective process monitoring. There has been a significant development in the field of machine vision systems (MVS) and have proven their potential to replace the traditional measurement systems. There exists an opportunity to extend their current usage for inspection to monitoring of

K. N. Joshi (✉)
Mechanical Engineering, Fr. Conceicao Rodrigues College of Engineering,
Affiliated to University of Mumbai, Bandra, Mumbai, Maharashtra, India
e-mail: ketaki.joshi@fragnel.edu.in

B. T. Patil
Fr. Conceicao Rodrigues College of Engineering, Affiliated to University of Mumbai,
Bandra, Mumbai, Maharashtra, India
e-mail: bhushan.patil@fragnel.edu.in

© Springer Nature Singapore Pte Ltd. 2019
H. Vasudevan et al. (eds.), *Proceedings of International Conference on Intelligent Manufacturing and Automation*, Lecture Notes in Mechanical Engineering,
https://doi.org/10.1007/978-981-13-2490-1_42

463

production processes and utilizing this data in order to control the system before non-conformities occur.

Woodall and Montgomery [1] have stated that use of images for process monitoring is one of the latest trends in the area of quality control. The images of the products are often used in the industry for inspection, i.e. to separate non-conforming items from conforming items. However, they clearly stated the opportunity of developing solutions for detection of quality changes before non-conforming items are actually produced in the system by encouraging investigations and research in the area of control charting using image data.

Vining et al. [2] have also stated that currently the image data is being primarily used for quality inspection purpose; however, the future scope for research in the field of machine vision lies in exploring the opportunity of using this information to improve quality of the processes. Hence they enforce on development of statistical monitoring methodologies for image data to be the next logical step in the near future.

In the present paper, authors attempt to survey the current state of research progress achieved in the field of machine vision-based multivariate statistical control. The paper presents a review of developments in multivariate statistical quality control techniques, integration of MVS with control charting techniques and its implementation in various product and process industries carried out by various researchers.

1.1 Integration of Machine Vision Systems and Statistical Process Control

Applications of modern industrial machine vision systems can be broadly categorized in four types of inspections: dimensional quality, surface quality, structural quality and operational quality [3].

Dimensional quality characteristics can be extracted by processing images of the product under inspection using various image processing techniques and feature extraction techniques. Inspection for surface quality using MVS is based on the principle that, an image is a two dimensional image intensity function characterized by the amount of light incident on the object under observation (illumination) which is dependent on the light source and the amount of light reflected from the object (reflectance) which is dependent on the characteristic of the surface of object [4]. Structural quality refers to correct assembling, which can be extracted from images of the assemblies using statistical techniques based on greyscale levels, template matching or various stochastic model-based algorithms. Operational quality deals with accuracy with which a particular operation is carried out.

Effective management of quality involves three activities namely quality planning, quality assurance and quality control and improvement [5]. Quality control and improvement is one of the philosophical pillars of quality and can be achieved primarily by using statistical process control (SPC).

Traditional process monitoring and quality control from univariate perspective is based on the assumption that only one process output is of prime concern. However in practice, a product's utility value depends on a number of quality characteristics all of which need to be controlled in the production process in order to avoid rejection of components based on non-conformance to quality. Univariate approach also affects the joint probability of sample means lying within the control limits when the process is actually in control, calculated as $(1 - \alpha)^p$, with α being the individual probability of sample means lying in the control limits and p being number of variables. This increases the probability of type I errors. Also, the above formula is applicable only if all the characteristics are truly independent in nature, which is rarely the case in actual practice.

In these scenarios, multivariate quality control provides a more effective way to monitor process quality by simultaneously monitoring all the variables under consideration. Multivariate techniques not only extract the information on individual characteristics but also extract and monitor correlations among data [5]. The method is suitable for processes with quality characteristics up to ten in number. However, it can also be used with more variables after reducing the dimensionality using principal component analysis [6].

The multivariate process control techniques can be effectively used to monitor a process involving multiple output characteristics. If this technique is integrated with machine vision system, can provide a very effective automated system for process monitoring and control. Researchers have made an attempt to use machine vision system with multivariate statistical techniques for process control. Most of the researchers have used this technique for surface quality control whereas very few have used it for dimensional aspects of quality. It can be concluded that integration of machine vision systems and statistical process control techniques can provide a very effective, economic and reliable tool for facilitating quality control in the industries.

1.2 Methodology for Developing MVS Based-Process Monitoring and Control

Methodology developed by Rogalewicz and Poznańska [7] can be adopted for developing machine vision-based multivariate quality control system.

It consists of three phases: planning phase, process capability study phase and process monitoring phase. In planning phase, process to be controlled is studied and the variable critical to its quality are selected with their tolerance limits and targets. Then the data acquisition system is to be built, which for machine vision-based approach, will include system for acquisition of images using camera and transferring them to computer systems for further analyses. Then the measurement system is to be developed, which for machine vision-based approach, will include the use of image processing techniques for measurement of quality parameters. Then in the process capability study phase, sample data with suitable sample size and

sampling frequency is to be collected, analysed, then plotted using proper control chart and further analysed for examining the process stability and capability. The last phase is process monitoring phase, where control limits are to be calculated followed by process monitoring and diagnosis of out of control scenarios.

2 Multivariate Control Charts

Most widely used multivariate quality control charts are Hotelling T^2 charts. These charts use information from current sample and hence are insensitive to small and moderate shifts in process mean. Multivariate exponentially weighed moving average (MEWMA) charts overcome this limitation [8].

2.1 Hotelling T^2 Chart

Hotelling T^2 control chart developed by Hotelling [9] is the most widely used method for multivariate quality control. This method is a direct analogue of univariate Shewart chart. Hotelling T^2 charts for subgroup data can be represented using control region or chi-square chart with an upper control limit. First method suffers from loss of time sequence of data and complexity for more number of variables. Second method overcomes these limitations by plotting the statistics value for all samples. These charts can be extended for estimating population mean and standard deviation, charts in which case are called Hotelling T^2 charts.

$$T^2 = n(\bar{x} - \bar{\bar{x}})' S^{-1} (\bar{x} - \bar{\bar{x}})$$

Two distinct phases in the use of control charts have different control limits based on the usage as proposed by Alt. Phase-I has the objective to obtain in control observations in order to establish control limits for phase-II. Whereas phase-II is for monitoring the production. Accordingly, the control limits set for two phases are as follows:

Control limits for phase-I: UCL = $\frac{p(m-1)(n-1)}{mn-m-p+1} F_{\alpha, p, mn-m-p+1}$ LCL = 0	Control limits for phase-II: UCL = $\frac{p(m+1)(n-1)}{mn-m-p+1} F_{\alpha, p, mn-m-p+1}$ LCL = 0
--------------------------------------------------------------------------------------------------------	---------------------------------------------------------------------------------------------------------

Interpretation of out of control signals is the most critical step in the use of Hotelling T^2 charts as it differs from univariate approach. Runger et al. [10] suggested the use of decomposition method where $T_{(i)}^2$ indicates the T^2 statistics for all process variables except the i th one. Then d_i calculated as $T^2 - T_{(i)}^2$ indicates the relative contribution of each parameter to the overall statistics.

Other methods include use of principal component analysis (PCA), partial least squares (PLS) for dimensionality reduction or discriminant analysis for classification of observations into groups [8, 11, 12]. PCA and projection of latent structure allow systematic examination and interpretation of highly correlated high-dimensional data [13]. Bersimis et al. [14] have discussed all the types of multivariate control charts, autocorrelation, dimensionality reduction using PCA and PLS and interpretation of out of control signals in detail.

2.2 *Multivariate Exponentially Weighted Moving Average (MEWMA) Chart*

Multivariate exponentially weighted moving average (MEWMA) chart developed by Lowry et al. [15] can sense the small or moderate shift in the mean vector over period as compared to Hotelling T^2 chart. MEWMA statistics is given as follows:

$$Z_i = \lambda x_i + (1 - \lambda)Z_{i-1}$$

where λ lies between 0 and 1 and $Z_0 = 0$

Quality term plotted on the chart is given as follows:

$$T_i^2 = Z_i' \sum_{z^{i-1}} Z_i$$

where covariance matrix

$$\sum_{z^i} = \frac{\lambda}{2 - \lambda} [1 - (1 - \lambda)^{2i}] \sum$$

3 Literature Review

Horst and Negin [16] used two charge-coupled devices and computer server for inspecting thickness of textile and plotting control charts for mean and standard deviation in real time.

Nembhard et al. [17] implemented integrated model for statistical and vision monitoring in order to monitor the colour transition of the extruded polymer at different levels as it cools down in order to identify quality improvement opportunities. The colour transition data was captured by processing images of the polymer taken at pre-determined intervals and then plotted using EWMA control chart in order to detect process shift.

Jiang et al. [18] proposed machine vision-based inspection of TFT-LCD panels for mura defects using colour/grayscale values in different regions of the panel using

EWMA chart. The positions of mura defects were easily located using EWMA chart which were further analysed for classification. Lin and Chiu [19] proposed use of Hotelling T^2 chart to determine the regions of small colour variation representing the mura defects. According to the survey on use of automated visual inspection in the field of semiconductors by Huang and Pan [20], semiconductor products including wafers, TFT-LCDs and LEDs are inspected for defects using many multivariate techniques one of which is the use of Hotelling statistics for texture analysis.

Tong et al. [21] used machine vision approach integrated with Hotelling T^2 chart to monitor wafer (IC) production process. The quality characteristics selected for charting included number of defects and clustering indices to be monitored for inspection purpose.

Liu et al. [22] developed an MVS system for capturing patterns such as stripes, swirls and ripples with different dimensions. They used wavelet transformation and principal component analysis for texture analysis and Hotelling T^2 and SPE charts for detection of off-specification countertops.

Lin [23, 24] used wavelet characteristics for describing texture properties and Hotelling T^2 control charts of different texture parameters to detect existence of ripple defects in SBL chips of ceramic capacitor. Lin et al. [25] compared the capabilities of a wavelet-Hotelling T^2 control chart approach with that of wavelet-PCA-based approach in detecting surface defects in light-emitting diode (LED) chips and found wavelet-PCA-based approach to be more effective.

Tunak and Linka [26] extracted GLCM features energy, correlation, homogeneity, cluster shade and cluster prominence and plotted using multivariate T^2 charts for detecting the occurrence and location of woven defects.

Tunak et al. [27] used 2D discrete Fourier transform (DFT) and its inverse processed further for getting the images containing only warp and weft. The restored images were then used for assessing weaving density with the help of \bar{X} -bar control chart in order to locate the sites of potential defects.

Lyu and Chen [28] integrated image processing technologies and multivariate statistical control chart for a component type having two concentric circles. The diameters of the two circles were obtained using image processing techniques and results of 35 samples were plotted in T^2 , X^2 and MEWMA chart. Out of control signals were interpreted using Fuchs and Benjamin's MSSD (mean square successive difference) method [29] and Doganaksoy method [30]. They stated that the future scope for this research to use various inspection techniques, different shaped components and develop testing rules for analysing the process using control charts.

Megahed et al. [31] reviewed the work on image monitoring as a special case of spatiotemporal surveillance and use of control charts for process monitoring. Megahed et al. [32] applied spatiotemporal methods for analysis of the image data.

Grieco et al. [33] used integrated machine vision-based control charting approach for monitoring leather cutting process wherein the shape of the monitored profile was compared with baseline model using image data and deviation area was used as the quality characteristic for monitoring. Univariate and multivariate control charting approaches were simulated by using deviation area of the entire profile in first case

Table 1 Summary of research work in MVS-based process monitoring, control

Charting technique	Researcher	Product/process under monitoring
Hotelling T^2	Horst and Negin [16]	Thickness of textile
	Lin and Chiu [19]	Mura defects in TFT-LCD panels
	Tong et al. [21]	Wafer (IC) production process
	Liu et al. [22]	Patterns-stripes, swirls and ripples
	Lin [24]	Ripple defects in SBL chips of ceramic capacitor
	Lin et al. [25]	Surface defects in LED chips
	Tunák and Linka [26]	Woven defects
	Tunák et al. [27]	Weaving density
	Lyu and Chen [28]	Component with 2 concentric circles
EWMA	Nembhard et al. [17]	Colour transition of extruded polymer
	Jing et al. [18]	Mura defects in TFT-LCD panels
MEWMA	Lyu and Chen [28]	Component with 2 concentric circles
Shewhart	Grieco et al. [33]	Leather cutting process

and deviation area vector for different segments of profile in the multivariate case. They concluded that multivariate approach provides better results.

The summary of previous research work in the field is tabulated in Table 1.

4 Conclusion and Future Scope

An integrated approach of machine vision-based control charting can effectively facilitate process control. Multivariate approach will be beneficial over univariate in industrial practices due number of variables determining final quality and utility value of the product. Machine vision systems have been successfully used for inspection and can be implemented further for real time monitoring of production processes to detect out of control signals and shifts in process means to predict the probability of occurrence of non-conformities and control the processes before non-conformities occur.

From the literature reviewed, it is clear that MVS-based process monitoring and control is explored by very few researchers and their results indicate that the approach is feasible. It needs to be explored further for providing a mature vision-based mul-

tivariate statistical control solution to the industry [1, 2]. Most of the attempts have been made to implement this technique for quality control in electronic products and process industries. Their application in mechanical industries is still not explored to the extent required for acceptance of this technique by the industry. The research gaps identified from the literature review include application of MVS-based multivariate control charting technique to various mechanical components and assemblies for identifying dimensional errors and assembly errors, respectively. Further research in this direction would provide a new dimension to industrial quality control systems.

References

1. Woodall, W. and Montgomery, D.: Some Current Directions in the Theory and Application of Statistical Process Monitoring. *Journal of Quality Technology*, 46(1), (2014) 78–94.
2. Vining, G., Kulahci, M. and Pedersen, S.: Recent Advances and Future Directions for Quality Engineering. *Quality and Reliability Engineering International*, 32(3), (2015). pp. 863–875.
3. Malamas, E. N., Petrakis, E. G., Zervakis, M., Petit, L., & Legat, J. D.: A survey on industrial vision systems, applications and tools. *Image and vision computing*, 21(2), (2003) 171–188.
4. Palani, S., & Natarajan, U.: Prediction of surface roughness in CNC end milling by machine vision system using artificial neural network based on 2D Fourier transform. *The International Journal of Advanced Manufacturing Technology*, 54(9–12), (2011) 1033–1042.
5. Chen, K. H., Boning, D. S., & Welsch, R. E.: Multivariate statistical process control and signature analysis using eigenfactor detection methods. In *The 33rd Symposium on the Interface of Computer Science and Statistics*, Costa Mesa Ca (2001).
6. Montgomery, D. C.: *Introduction to statistical quality control*. John Wiley & Sons. (2007).
7. Rogalewicz, M., & Poznańska, P.: The Methodology of Controlling Manufacturing Processes with the Use of Multivariate Statistical Process Control Tools. *Journal of Trends in the Development of Machinery and Associated Technology*, 17(1), (2013) 89–93.
8. Bersimis, S., Panaretos, J., & Psarakis, S.: Multivariate statistical process control charts and the problem of interpretation: a short overview and some applications in industry. *arXiv preprint arXiv:0901.2880*. (2009).
9. Hotelling, H.: *Multivariate quality control. Techniques of statistical analysis* (1947).
10. Runger, G. C., Alt, F. B., & Montgomery, D. C.: Contributors to a multivariate statistical process control chart signal. *Communications in Statistics—Theory and Methods*, 25(10), (1996) 2203–2213.
11. Jackson, J. E.: Principal components and factor analysis: part I-principal components. *Journal of Quality Technology*, 12(4), (1980) 201–213.
12. Chua, M. K., & Montgomery, D. C.: Investigation and characterization of a control scheme for multivariate quality control. *Quality and Reliability Engineering International*, 8(1), (1992) 37–44.
13. Dudzic, M. and Zhang, Y.: On-Line Industrial Implementation of Process Monitoring/Control Applications Using Multivariate Statistical Technologies: Challenges and Opportunities. *IFAC Proceedings Volumes*, 37(9), (2004) 269–279.
14. Bersimis, S., Psarakis, S. and Panaretos, J.: Multivariate statistical process control charts: an overview. *Quality and Reliability Engineering International*, 23(5), (2007) 517–543.
15. Lowry, C. A., Woodall, W. H., Champ, C. W., & Rigdon, S. E.: A multivariate exponentially weighted moving average control chart. *Technometrics*, 34(1), (1992) 46–53.
16. Horst, R. L., & Negin, M.: Vision system for high-resolution dimensional measurements and on-line SPC: Web process application. *IEEE Transactions on Industry Applications*, 28, (1992) 993–997.

17. Nembhard, H. B., Ferrier, N. J., Osswald, T. A., & Sanz-Urbe, J. R.: An integrated model for statistical and vision monitoring in manufacturing transitions. *Quality and Reliability Engineering International*, 19(6), (2003) 461–476.
18. Jiang, B. C., Wang, C. C., Tsai, D. M., & Lu, C. J.: LCD surface defect inspection using machine vision. In *Proceedings of the fifth Asia Pacific industrial engineering and management systems conference*. (2004).
19. Lin, H. D., & Chiu, S. W.: Computer-aided vision system for MURA-type defect inspection in liquid crystal displays. In *Pacific-Rim Symposium on Image and Video Technology* (pp. 442–452). Springer, Berlin, Heidelberg (2006).
20. Huang, S. H., & Pan, Y. C.: Automated visual inspection in the semiconductor industry: A survey. *Computers in industry*, 66, (2015) 1–10.
21. Tong, L. I., Wang, C. H., & Huang, C. L.: Monitoring defects in IC fabrication using a Hotelling T^2 /control chart. *IEEE transactions on semiconductor manufacturing*, 18(1), (2005) 140–147.
22. Liu, J. J., MacGregor, J. F., Duchesne, C., & Bartolacci, G.: Flotation froth monitoring using multiresolutional multivariate image analysis. *Minerals Engineering*, 18(1), (2005) 65–76.
23. Lin, H. D.: Automated visual inspection of ripple defects using wavelet characteristic based multivariate statistical approach. *Image and Vision Computing*, 25(11), (2007) 1785–1801.
24. Lin, H. D.: Computer-aided visual inspection of surface defects in ceramic capacitor chips. *Journal of Materials Processing Technology*, 189(1), (2007) 19–25.
25. Lin, H. D., Chung, C. Y., & Lin, W. T.: Principal component analysis based on wavelet characteristics applied to automated surface defect inspection. *WSEAS Transactions on Computer Research*, 3(4), (2008) 193–202.
26. Tunák, M., & Linka, A.: Directional defects in fabrics. *Research Journal of Textile and Apparel*, 12(2), (2008) 13–22.
27. Tunák, M., Linka, A., & Volf, P.: Automatic assessing and monitoring of weaving density. *Fibers and Polymers*, 10(6), (2009) 830–836.
28. Lyu, J., & Chen, M.: Automated visual inspection expert system for multivariate statistical process control chart. *Expert Systems with Applications*, 36(3), (2009) 5113–5118.
29. Fuchs, C., & Benjamini, Y.: Multivariate profile charts for statistical process control. *Technometrics*, 36, (1994) 182–195.
30. Doganaksoy, N., Faltin, F. W., & Tucker, W. T.: Identification of out-of-control quality characteristics in a multivariate manufacturing environment. *Communications in Statistics – Theory and Methods*, 20, (1991) 2775–2790.
31. Megahed, F.M.; Woodall, W.H.; and Camelio, J. A.: A Review and Perspective on Control Charting with Image Data. *J. Qual. Technol.*, 43(2), (2011) 83–98.
32. Megahed, F. M., Wells, L. J., Camelio, J. A., & Woodall, W. H.: A spatiotemporal method for the monitoring of image data. *Quality and Reliability Engineering International*, 28(8), (2012) 967–980.
33. Grieco, A., Pacella, M., & Blaco, M.: Image based quality control of free-form profiles in automatic cutting processes. *Procedia CIRP*, 62, (2017) 405–410.

3rd International Conference on Innovations in Automation and Mechatronics Engineering,
ICIAME 2016

Optimization of Tube Hydroforming Process (without Axial feed) by using FEA Simulations

Rakesh A. Shinde^a, Dr. Bhushan T. Patil^b, Ketaki N. Joshi^c

^aDepartment of Production Engineering, Fr.CRCE, Bandra, Mumbai, 400050, India

^bAssociate Professor, Department of Production Engineering, Fr.CRCE, Bandra, Mumbai, 400050, India

^cAssistant Professor, Department of Production Engineering, Fr.CRCE, Bandra, Mumbai, 400050, India

Abstract

Tube hydroforming is the process of manufacturing light weight automotive components by applying fluid pressure. Success of Tube hydroforming process depends on best combination of material properties, process parameters, process sequence, and die geometry. Analysing the tube in square cross section die is simplest of hydroforming operation and the parameters effect can be further used for more complex hydroforming operation. In this work 3-D Finite Element model for the Tube Hydroforming (THF) developed using Creo Parametric 2.0, pre-processed using HyperMesh and solved using LS-DYNA explicit solver. This paper aims at identifying important parameters that affect the THF process without Axial feed. Taguchi's Design of Experiment technique is used to understand the effect of individual parameters as well as interaction of hydroforming process parameters such as die corner radius, length of tube, thickness of tube, internal pressure.

© 2016 The Authors. Published by Elsevier Ltd. This is an open access article under the CC BY-NC-ND license (<http://creativecommons.org/licenses/by-nc-nd/4.0/>).

Peer-review under responsibility of the organizing committee of ICIAME 2016

Keywords: Hydroforming; Process Parameters; DOE; Taguchi method; FEA Simulations; ANOVA

1. Introduction

The automotive industry demands of reduced emissions, improved performance and a more sustainable carbon footprint with more fuel efficient designs. These targets are achieved by developing lighter vehicles structure along with improved aerodynamics, more efficient engines. In order to achieve lighter structure, a developing novel shaping techniques called Tube Hydroforming is used nowadays for Manufacturing of tubular components of the a modern Vehicle. Tube Hydroforming is being used by automotive industry in past two decades, typically it involves tubular components in engine and exhaust systems, chassis, body, closing doors, hoods, etc. The main advantage that

the process offers is the ability to optimize the structure for weight and strength, while often offering at the same time superior crashworthiness.

Tube Hydroforming technique is well advanced manufacturing technique in which the tube to be formed is placed inside a die and internal pressure is applied by the fluid generally taken as water with non-corrosive additives [1]. For Successful hydroforming, the optimization of process parameters is required and process should fit in to the Forming limit Diagram (FLD). Detailed investigation of design and process parameters and selection of their optimal values is very crucial as it influences the quality and cost of the component produced and also affects the cost and quality of the final product. Finite element analysis is being preferred over experimental approach being economic and equally effective in predicting the process outputs subjected to various input parameters. Many researchers and industries are effectively using finite element approach for optimizing the hydroforming process.

Finite Element Analysis (FEA) permits arbitrary combinations of input parameters including design parameters and process conditions to be investigated with limited expense. Additionally FEA simulations are planned to further enlarge the knowledge base about particular parts using predetermined parameters varied over practical ranges, (Muammer Koc et.al (2000) [2]). The Taguchi method is applied to design an orthogonal experimental array, and the virtual experiments are analyzed by the use of the finite element method (Bing Li (2006) [3]). G.T.Kirdli, et.al [4], concluded that the thickness variation reduces if die corner radius is increased and tube wall thickness is affecting internal pressure, while maintaining the same thinning pattern. Matteo Strano, et.al [5], said shorter the tube length, the obtained protrusion height is larger. Sung-Jong Kang, et.al [6], they discussed the effect of changing tube diameter by using FEA simulations LS-DYNA as a FE code by taking vehicle bumper rail section as product after hydroforming. They concluded that by changing tube diameter slightly by 10% (increasing), remarkable reduction to about one-third in thinning rate and more uniform thickness distribution were predicted whichever loading path was applied to the prediction. Hossein Kashani Zadeh, et.al (2006) [7], simulated the effect of friction coefficient, strain hardening exponent and fillet radius on protrusion height, thickness distribution and clamping and axial forces for an unequal T joint using ABAQUS/EXPLICIT 6.3-1. The results were compared with experimental results and were found to in agreement with them, hence they concluded that FEM can be used as a reliable tool in designing tube hydroforming process to reduce costly experimental trials. A. Alaswad, et.al (2006) [8], they modeled bulge height and wall thickness reduction of a bi-layered T-shape component as a function of geometric factors using finite element modeling (FEM) and response surface methodology (RSM) for design of experiments(DOE). On the similar lines they analyzed formability and failures of T shape bi-layered tube hydroforming using ANSYS LS-DYNA pre-processor and LS-DYNA solver as a function of certain material properties and initial blank geometry and provided an optimum operating condition.

Kristoffer Trana (2002) [9], Lihui Lang et.al (2004) [10], Nader Abedrabbo et.al (2009) [11], studied the effect of axial feed and internal pressure on the thickness distribution using FEA simulations and found that the results were in good agreement with experimental findings. Shijian Yuan et.al (2006, 2007) [12,13] T. Hama, et.al (2006) [14], studied the wrinkling behaviour in THF using FEA. Muammer Koc (2003) [15], studied loading paths and effect of material properties on process output using FEA simulations verified by Experiments. Asheesh Soniu (2014) [16], investigated the effect of internal pressure on stress distribution using LS-Dyna Explicit solver. P. Ray et.al (2004) [17], Sung-Jong Kang et.al (2005) [6], M. Imaninejad et.al (2005) [18] Yingyot Aue-U-Lan, et.al (2004) [19], determined optimal loading path for THF process using simulations. Ken-ichi Manabe and Masaaki Amino (2002) [20], investigated the effect of Process parameters (friction coefficient, stress ratio) and material variables (n- and r-values) on thickness distribution using LS-Dyna. Bathina Sreenivasulu, et.al (2014) [21], proved experimentally that the strain hardening coefficient has higher influence over formability of the tubes so that for forming of materials with higher value of “n”, lower internal pressure needed. E. Chu, et.al (2002) [22], proposed and established the theoretical "Process Window Diagram" (PWD) based on mathematical formulations for predicting forming limits induced by various defects such as buckling, wrinkling and bursting of free-expansion tube hydroforming process. Kuang-Jau Fann, et.al, (2003) [23], carried out THF simulations and concluded that sequential optimization can lead to better forming results as loading path is having close control on process output. Fuh-Kuo Chen, et.al (2007) [24], found that the relation between hydraulic pressure and outer die corner radius predicted agrees well with FEM. The

hydraulic pressure required to deform a tube into a desired part shape depends on the material properties of the tube, tube thickness, and the minimum corner radius of the part shape. B.Sreenivasulu, et.al (2013) [25], modelled free bulge shaped tube die using Auto CAD, simulated THF using DEFORM-3D and found that wall thickness and the branch height are most sensitive to friction, axial load, and internal pressure. A. Aydemir, et.al (2005) [26], they developed an adaptive design method for T-shape tube parts based on finite element method using ABAQUS/Explicit, to avoid wrinkling and necking.

From the above literature review, it is evident that the Finite Element simulations are capable of predicting accurate behaviour of tube hydroforming process and can be used to reduce experimental efforts. The objective of this paper is to investigate and study the effect of significant process parameters and their interactions in order to improve the quality of Hydroformed tube.

2. Methodology

Taguchi method gives three stages in the process development: (1) system design, the engineer uses scientific and engineering principles to determine the basic configuration. (2) Parameter design, in this stage the specific values for the system parameters are determined (3) Tolerance design, it is used to specify the best tolerances for the parameters [3]. From these, Parameter design is the most important step in Taguchi method towards achieving high quality without increasing cost. So, in order to obtain the high Hydroformability, the parameter design approach proposed by Taguchi Method is adopted in this paper.

The Basic steps in the methodology are shown in the fig.1. Firstly the Quality characteristics and the controllable forming parameters are selected, and accordingly the Orthogonal array has been constructed. Based on the Orthogonal Array selected the finite element simulations are performed and results are tabulated in terms of average response for each factor. Statistical Analysis of variance (ANOVA) is performed to see the significant parameters. And then it is modified with the interaction of the significant parameters to obtain more information of their effect on the quality characteristics.

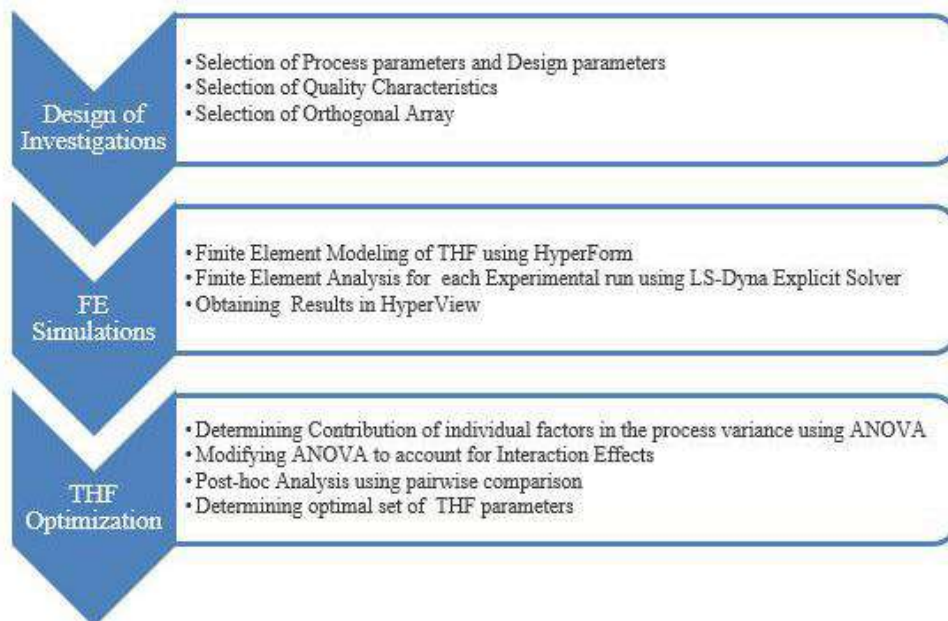


Fig. 1 Methodology for Optimization of Tube Hydroforming

2.1. FE Simulation Methodology

The tube and die geometry are prepared using CREO Parametric 2.0, then it is imported in to the Preprocessor Hyperform 12.0 for applying boundary conditions. After applying boundary conditions LS-DYNA R7.0 is used as a Solver. The output of the analysis stage is viewed using Hyperview. The tube diameter is 40 mm, and taking tube thickness at three level and is blown in to die cavity which is square shape having of side 44mm. Fig. 2 shows a screenshot of output of the analysis stage. The figure shows forming limit diagram (FLD) for the deformed tube.

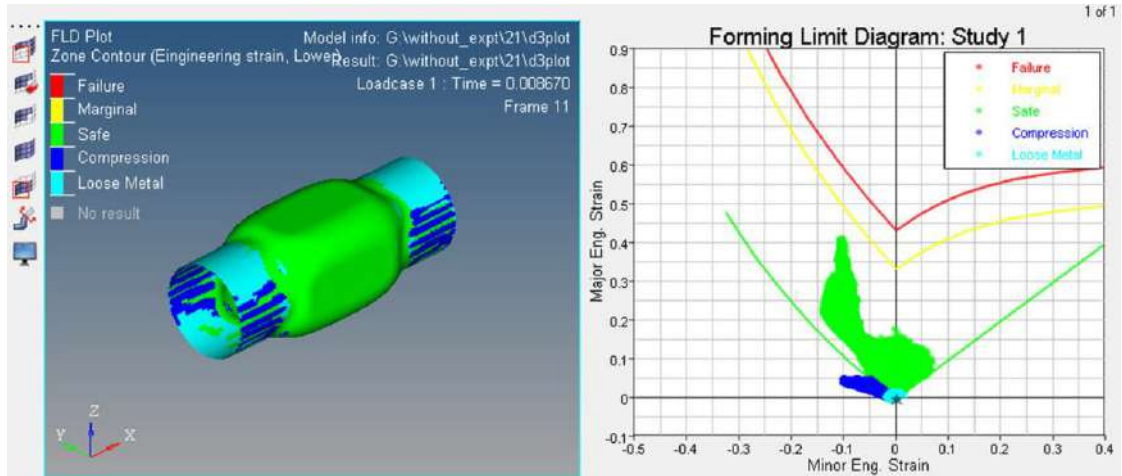


Fig. 2 Forming limit Diagram of the Hydroformed Tube

The material selected for hydroformed tube is CRDQ steel and its material properties are given in Table 1.

Table 1. Material Properties for CRDQ Steel used in the FEM Simulation

Material Parameters	Value
Density ρ (kg/m ³)	7800
Young's Modulus E (GPa)	210
Hardening Coefficient K (MPa)	550
Hardening Exponent n	0.21
Poisson's Ratio μ	0.3
Lankford Coefficient R	1.6

2.2. Determination of Quality Characteristic, Selection of Parameters and construction of Orthogonal Array

In the tube hydroforming process the primary requirement is to conform the shape of the die by the tube blank without any failure. The three main failure of this process are bursting, buckling, wrinkling. Among these three failures only wrinkling and buckling are recoverable. Bursting is fracture and hence cannot be recovered and causes necking because of which the percentage thickness reduction becomes an important output to be measure. Hence the Percentage thickness reduction is selected as a Quality characteristic.

Hydroformability is dependent on three categories of parameters viz., Geometry Parameters, Material Parameters, and Process Parameters (Table 2). The Four forming parameter are chosen at three levels each and Orthogonal Array L₂₇ is selected for the present study according to Taguchi's Method.

Table 2. Forming parameters with their levels.

Designation	Forming Parameters	Level 1	Level 2	Level 3
A	Die Corner Radius (mm)	4	6	8
B	Length of tube (mm)	120	140	160
C	Thickness of Tube (mm)	1	1.2	1.4
D	Internal Pressure (psi)	6000	6200	6400

3. Data Collection and Analysis

The Experiments are performed as per Taguchi's OA L₂₇ and the Average responses for maximum percentage thickness reduction for individual factors are as given in table 3 below.

Table 3. Average response for Percentage thickness reduction.

Factors		Average Response (% thickness Reduction)		
		Level 1	Level 2	Level 3
A	Die corner radius	20.0467	17.9811	20.2244
B	Length of Tube	18.8344	18.2633	21.1544
C	Thickness of Tube	20.2511	20.2100	17.7911
D	Internal Pressure	19.4211	19.4044	19.4267

The Fig. 3 shows Individual factors effect and clearly indicates that the percentage thickness reduction decreases as the level of factor A and B (Die corner radius and length of tube) changes from 1 to 2 and then increase as the level changes from 2 to 3. The percentage thickness reduction remains fairly constant for all levels of factor D (internal pressure). Whereas Percentage thickness reduction remains fairly constant for levels of the factor C (thickness of tube) from 1 to 2 and then decreases from 2 to 3.

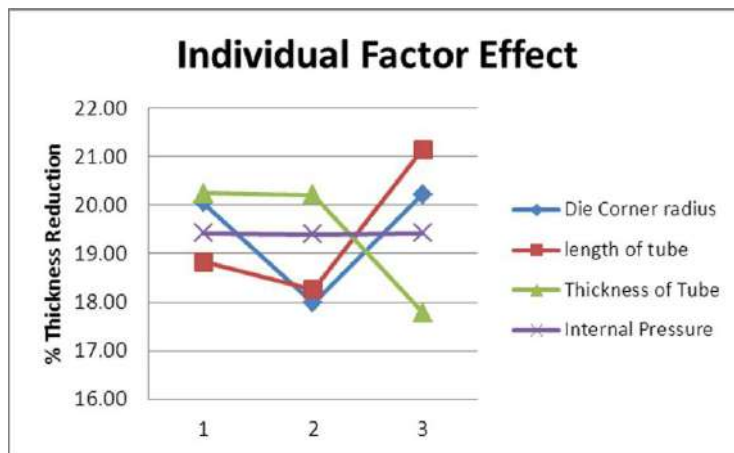


Fig. 3 Individual Factors Effect on Percent Thickness Reduction

The results of Analysis of the variance by considering the main effects of individual parameters as well as their interactions are shown below table 4. It clearly indicates that the factor A, B and C are significantly affecting the process and their interaction AXB is affecting as well. In order to study the interaction effects pair-wise comparisons are useful. For this study, we need to make a distinction between focal independent variable and moderate variable. The assigned independent variable i.e. a characteristic intrinsic to the participant such as Tube Length, tube thickness can be chosen as moderate variable and the active independent variable i.e. the one assigned or designed by the researcher such as die corner radius, internal pressure can be considered as the focal independent variable.

Table 4. Modified ANOVA Table for Percentage thickness reduction.

	SS	D.F	MSS	F	F critical at $\alpha = 0.10$	Remark
SS _A	27.9920	2	13.9960	7.1569	3.46	SIGNIFICANT
SS _B	42.2013	2	21.1006	10.7899	3.46	SIGNIFICANT
SS _C	35.7129	2	17.8565	9.1310	3.46	SIGNIFICANT
SS _D	0.0024	2	0.0012	0.0006	3.46	INSIGNIFICANT
SS _{AXB}	30.8593	4	7.7148	3.9450	3.18	SIGNIFICANT
SS _{AXC}	1.8408	4	0.4602	0.2353	3.18	INSIGNIFICANT
SS _{BXC}	15.1306	4	3.7827	1.9343	3.18	INSIGNIFICANT
SS _E	11.7336	6	1.9556			
SS _T	165.4729	26				

In this paper, Tube length is designated as moderate variable and die corner radius is designated as focal independent variable. As AXB interaction is only significant so it is studied furthermore. For each Tube Length, One-way ANOVA is carried out for interaction AXB to decide the effect and hence post-hoc analysis by doing pairwise comparison is carried out to determine the optimal values of the factors. The Details are given in the table 5.

Table 5. Pair-wise comparison (AXB) for Percentage thickness reduction at level 1 of Factor B (Tube length)

Pair-wise comparison	Difference	95 % confidence interval
Level 1 - Level 2	4.5433	(1.6287, 7.4580)
Level 2 - Level 3	-2.9400	(-5.8546, -0.0254)
Level 1 - Level 3	1.6033	(-1.3113, 4.5180)

Table 5 shows that the difference between level 1 and level 3 is insignificant and the mean for the level 2 of the factor A (Die Corner Radius- 6mm) is significantly lower (16.34) than the other two level values.

Similarly to find out the pair-wise comparison of the interaction AXB at level 2 and level 3 of factor B, One-way ANOVA is carried out and found that there is no significant variation. So, the level at which mean thickness reduction is comparatively lower can be selected.

4. Conclusion

From the results of the FEM analysis and the effect of parameters study using Taguchi method, some prediction can be drawn

- The Die corner radius, length of tube and thickness of tube are significantly affecting the process.
- The Internal pressure can be set at the higher end in order to achieve good hydroformed component.
- The interaction between the die corner radius and the tube length is found to be significant.
- The optimum combinations of the selected significant parameters are suggested based on results obtained by ANOVA analysis.
- Summary of the optimal combination of selected parameters for minimum percentage thickness Reduction is tabulated in table 6 below.

Table 6. Summary of Optimal Combinations for Minimum Percentage Thickness Reduction

Sr. No.	Details of Requirement	Optimal Combination of Factors and level for the minimum percent thickness reduction	
1	When Tube length is 120mm	Factor A	Level 2
		Factor B	Level 1
		Factor C	Level 3
		Factor D	Level 3
2	When Tube length is 140mm	Factor A	Level 2
		Factor B	Level 2
		Factor C	Level 3
		Factor D	Level 3
3	When Tube length is 160mm	Factor A	Level 1
		Factor B	Level 3
		Factor C	Level 3
		Factor D	Level 3

References

- [1] Shabbir Menon, Ahmad Omar, K. Narasimhan, "Finite element analysis for Optimizing process parameters in tube hydroforming process", IDDRG 2013 Conference Switzerland
- [2] Muammer Koc, Ted Allen , Suwat Jiratheranat, Taylan Altan, "The use of FEA and design of experiments to establish design guidelines for simple hydroformed parts", International Journal of Machine Tools & Manufacture 40 (2000) 2249–2266
- [3] Bing Li · T.J. Nye · Don R. Metzger, "Multi-objective optimization of forming parameters for tube hydroforming process based on the Taguchi method", Int J Adv Manuf Technol (2006) 28: 23–30
- [4] G.T.Kirdli, L.Bao,P.K. Mallick, Y. Tian, " Investigation of thickness variation and corner filling in tube hydroforming", Journal of Material Processing Technology 133 (2003) 287-296
- [5] Suwat Jirathearanat, Christoph Hartl, Taylan Altan, "Hydroforming of Y-shapes—product and process design using FEA simulation and experiments, Journal of Materials Processing Technology 146 (2004) 124–129
- [6] Sung-Jong Kang, Hyoung-Kwang Kim, Beom-Soo Kang, "Tube size effect on hydroforming formability", Journal of Materials Processing Technology 160 (2005) 24–33
- [7] Hossein Kashani Zadeh, Mahmoud Mosavi Mashhadi, "Finite element simulation and experiment in tube hydroforming of unequal T shapes", Journal of Materials Processing Technology 177 (2006) 684–687
- [8] A. Alaswad , A.G. Olabi, K.Y. Benyounis, "Integration of finite element analysis and design of experiments to analyse the geometrical factors in bi-layered tube hydroforming", Materials and Design 32 (2011) 838–850
- [9] Kristoffer Trana, "Finite element simulation of tube hydroforming process-bending, preforming and Hydroforming", Journal of Material Processing Technology 127 (2002) 407-408
- [10] Lihui Lang, Shijian Yuan, Xiaosong Wang, Z.R. Wang, Zhuang Fu, J. Danckert, K.B. Nielsen, "A study on numerical simulation of hydroforming of aluminum alloy tube", Journal of Materials Processing Technology 146 (2004) 377–388

- [11] Nader Abedrabbo, Michael Worswic, Robert Mayer, Isadora van Riemsdijk, "Optimization methods for the tube hydroforming process applied to advanced high-strength steels with experimental verification", *Journal of materials processing technology* 209 (2009) 110–123
- [12] Shijian Yuan, Wenjian Yuan, Xiaosong Wang, "Effect of wrinkling behavior on formability and thickness distribution in tube hydroforming", *Journal of Materials Processing Technology* 177 (2006) 668–671
- [13] Shijian Yuan, Xiaosong Wang, Gang Liu, Z.R. Wang, "Control and use of wrinkles in tube hydroforming", *Journal of Materials Processing Technology* 182 (2007) 6–11
- [14] T. Hama, T. Ohkubo, K. Kurisu, H. Fujimoto, H. Takuda, "Formability of tube hydroforming under various loading paths", *Journal of Materials Processing Technology* 177 (2006) 676–679
- [15] Muammer Koc, " Investigation of the effect of Loading Path and variation in the material properties and robustness of the tube hydroforming process", *Journal of Material Processing Technology* 133 (2003) 276-281
- [16] Asheesh Soniu, Jyoti Vimal, Avadesh K Sharma, "Finite element analysis of component developed by tube hydroforming", *International Research Journal of Mathematics, Engineering and IT* (2014) ISSN no. 2349-0322
- [17] P. Ray, B.J. Mac Donald, "Determination of the optimal load path for tube hydroforming processes using a fuzzy load control algorithm and finite element analysis", *Finite Elements in Analysis and Design* 41 (2004) 173–192
- [18] M. Imaninejad, G. Subhash, A. Loukus, "Loading path optimization of tube hydroforming process", *International Journal of Machine Tools & Manufacture* 45 (2005) 1504–1514
- [19] Yingyot Aue-U-Lan, Gracious Ngaile, Taylan Altan, "Optimizing tube hydroforming using process simulation and experimental verification", *Journal of Materials Processing Technology* 146 (2004) 137–143
- [20] Ken-ichi Manabe, Masaaki Amino, "Effects of process parameters and material properties on deformation process in tube hydroforming", *Journal of Materials Processing Technology* 123 (2002) 285–291
- [21] Bathina Sreenivasulu, B.A. Reddy and B.Sreenivasulu, "Experimental analysis of tube hydroforming", *Int. J. Mech. Eng. & Rob. Res.* (2014) ISSN 2278-0149
- [22] E. Chu, Yu Xu, "Hydroforming of aluminum extrusion tubes for automotive applications. Part II: process window diagram", *International Journal of Mechanical Sciences* 46 (2004) 285–297
- [23] Kuang-Jau Fann*, Pou-Yuan Hsiao, "Optimization of loading conditions for tube hydroforming", *Journal of Materials Processing Technology* 140 (2003) 520–524
- [24] Fuh-Kuo Chen, Shao-Jun Wang, Ray-Hau Lin, "A study of forming pressure in the tube-hydroforming process", *Journal of Materials Processing Technology* 192–193 (2007) 404–409
- [25] B.Sreenivasulu, G. Prasanthi, T. Naresh Kumar, "Simulative analysis of Tube Hydroforming process", *International Journal of Research in Engineering and Technology*(2013) eISSN: 2319-1163 | pISSN: 2321-7308
- [26] A. Aydemir, J.H.P. de Vree, W.A.M. Brekelmans, M.G.D. Geers, W.H. Sillekens , R.J. Werkhoven, "An adaptive simulation approach designed for tube hydroforming processes", *Journal of Materials Processing Technology* 159 (2005) 303–310

ICAC3'15

Computer Aided Design And Analysis of Volatile Separating Device

Prasad Kawade^a, B.S.Ajit Kumar^b, Kashyap Anandpara^c, D.S.S.Sudhakar^d

^aMechanical Engineering, FR. Conciecao Rodrigues College of Engineering, Bandra, Mumbai University, Pin 400050, India.

^bDepartment of Chemistry, Guru Nanak Khalsa College, Mumbai University, MP Road, Matunga, Pin 400019 India.

^cProduction Engineering, FR. Conciecao Rodrigues College of Engineering, Bandra, Mumbai University, Pin 400050, India.

^dProduction Engineering, FR. Conciecao Rodrigues College of Engineering, Bandra, Mumbai University, Pin 400050, India.

Abstract

Volatiles in the current context are molecules with boiling point up to 200°C. Conventional methods for separating volatiles are biased towards one of the physical or chemical properties of the molecule and hence are not complete. So volatiles separated from the mother matrix will contain fewer molecules and even the most precise instruments can resolve only fewer molecules. On the other hand a better sampling device utilizing thermal desorption, kinetic desorption, solubility in steam, desorption by microwave, desorption by magnetic induction or laser can separate larger number of molecules and hence can enhance the efficiency of instruments like MS. A sampler using thermo-kinetic desorption was fabricated in house and comparative study was conducted against conventional techniques. A 25 percent increase in peaks was observed when analysed with GC. The possibility of thermal decomposition was ruled out by conducting GC- MS studies.

The aim of the current study is to develop a highly precise sampling device with global standards and has wide applications in the field of aromatic, analytical, biological and medical fields.

© 2015 The Authors. Published by Elsevier B.V. This is an open access article under the CC BY-NC-ND license

(<http://creativecommons.org/licenses/by-nc-nd/4.0/>).

Peer-review under responsibility of organizing committee of the 4th International Conference on Advances in Computing,

Communication and Control (ICAC3'15)

Keywords: Desorpter Cartridge Heaters; Turbulent Kinetic Energy; Turbulent Intensity; Turbulence Dissipation Rate; Peltier Chips; Heat Sink; Linear Motor.

1. INTRODUCTION

This Report describes a new design approach that came from a volatile separation technology. The conventional methods, separated volatiles from materials from Organic matters are biased to any single physico-chemical properties of the volatile and are efficient to separate low boiling fractions only. The goal of this new design approach is to

* Prasad Kawade. Tel.: +91-720-860-7274 .
E-mail address: kawadepasad@gmail.com

* B.S.Ajitkumar. Tel.: +91-970-233-3880 ;
E-mail address: bsajitkumar@gmail.com

provide better heating and cooling modes, Equipment, maintaining of inert atmosphere in envelope, well stabilized desorption-adsorption process for volatiles from the provided organic matter.

Volatile is a substance which can change state from a solid or liquid to vapour. Gas chromatography (GC) is the instrument used to study volatiles and it can analyse molecules whose boiling points are as high as 250°C or more. But it is necessary to make sure that Non-volatile material should not enter into the GC column. So there is a requirement of a safe sampling device for GC. Sampling device is separator unit, which will extract the molecules or volatiles from the given sample.

The Prototype device for this is already manufactured, which is a POC (Proof of Concept). The goal of this report is to reduce the size of complete equipment, modular design. For the purpose of heating the envelope electrical heaters are used with sensor for establishment of feedback control system. Also for cooling the purpose electric cooling chip are used, which works on peltier effect.

This report also analyses influence of the internal geometry design over flow path of nitrogen gas and turbulence created by pressurized nitrogen gas, with the help of CFD software.

2. Literature Review

Following literature describes the prototype of Volatile Extraction Device developed previously. This device works on thermo-Kinetic Principle of extraction. The equipment contains following parts^[4]:

1. PID Controller.
2. Electrical Circuit.
3. Flow and Temperature control.
4. Desorptor and Condenser.
5. Absorbent.
6. Heating and cooling Media.
7. Critical components of the system are design and geometry of Desorptor and Condenser, selection of heating and cooling media, absorbent material, and feedback control system for governing temperature, flow and Pressure.

2.1. Working

A solid or semisolid sample containing volatiles is heated using multiple sources in a current of dry or moist (controlled) Nitrogen and the effluents are driven to a frigid cartridge pre-loaded with appropriate adsorbent. Once the adsorption is complete, the cartridge can be flash heated and the pneumatics drive the volatiles through appropriate membrane filters to the GC for analysis. Membrane filters are used to selectively detain water molecules and molecules of particular choice. Fig.1 shows the typical layout of existing system.

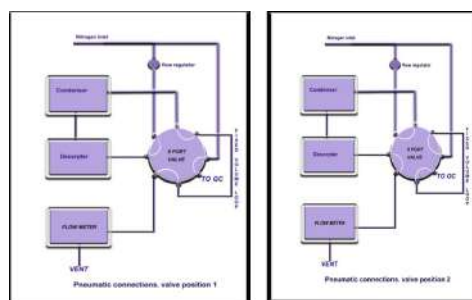
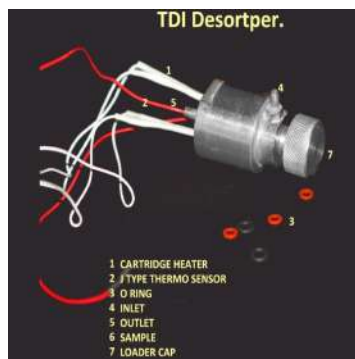


Fig. 1. Typical Layout of Existing System.^[4]

Fig. 2. Prototype Desorptper.^[4]Fig. 3. Prototype Condenser.^[4]

2.2. Description of various sub-systems

1. **Desorptper:** Fig.2 shows desorptper unit, which is a single piece unit carved out of 316 grade stainless steel (food and surgical grade, ideal for pressure reactors and boilers and is corrosion resistant) and fitted with screw cap for sample load. A GC septum or O rings secured airtight sealing. Holes are drilled in the body to accommodate the cartridge type heaters and temperature sensors. The heaters and sensors are connected to the thermostat and can be programmed from ambient temperature to 350°C in multi steps.
2. **Condenser:** Fig.3 shows the condenser unit is slightly more complex than the desorptper both in functioning and in construction. The main body is 316 stainless steel cylinders with a 1cm x 6cm hole drilled in. The adsorbent material is packed in here. A special heater with inbuilt thermo sensors is wound around the condenser tightly. This heater is capable of heating the condenser to $250^{\circ}\text{C} \pm 1^{\circ}\text{C}$ in just 5 seconds. The cooling system consists of two aluminium boxes with cylindrical slit at its centre. These boxes are driven with a lever system to separate them from the condenser or to bring them close to the aluminium sleeve. The coolant used is a mixture of dry ice and acetone.

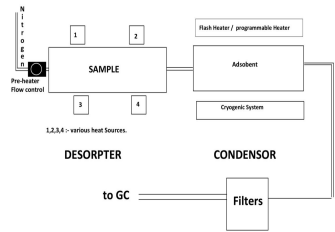


Fig. 4. Proposed Volatile Separator Systems. [4]

3. Method

Fig.4 shows proposed modular system, in which desorptor can be heated by various sources like coil, cartridge, lasers, induction heaters. Condenser unit is separately cooled followed by flash heating.

3.1. Desorptor Design

CFD Analysis on Previous Design:

Fig.5 shows the CAD model of previously developed desorptor. The sample is kept in bore and closed with cap which is threaded. At the inlet nitrogen gas of room temperature and at pressure of 2 Bar enters into the chamber. Two Cartridge heaters of 100 watts each placed heat up the internal volume. These cartridge heaters provide temperature up to $250^{\circ}c$ in 20 minutes.

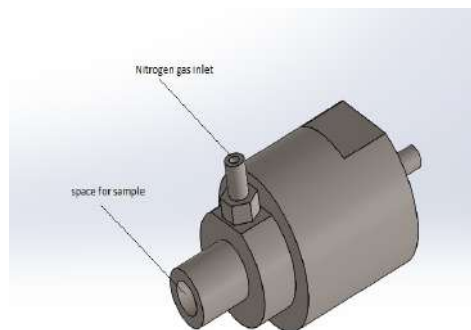


Fig. 5. CAD Model of Old Desorptor.

Boundary Conditions for flow Analysis:

Inlet Pressure- 2Bar

Inlet temperature-300k

Wall Temperature-623k

Outlet temperature-300k

Viscous Model- K-epsilon

Result:

In fig.6, At the inlet pressure is around $1.83e^{05}$ pa. After impact pressure reduces to $1.62e^{05}$ pa. When gas travels through outlet, the cross section is reduced to 2 mm due to which pressure drops further to $1.04e^{04}$ pa which is nearly atmospheric pressure.

In fig.7, It is observed that in the velocity profile flow direction is perpendicular to sample bore axis. Due to straight impact of nitrogen stream with pressure value 2 bars, the flow is dispersed and lot of turbulence is created. Maximum

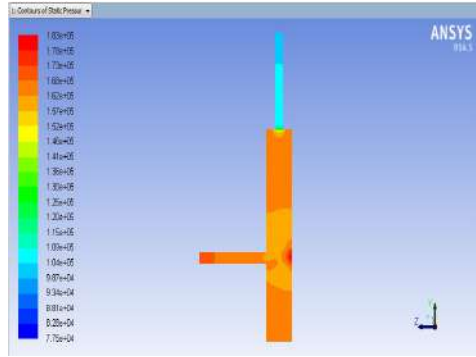


Fig. 6. Pressure contour.

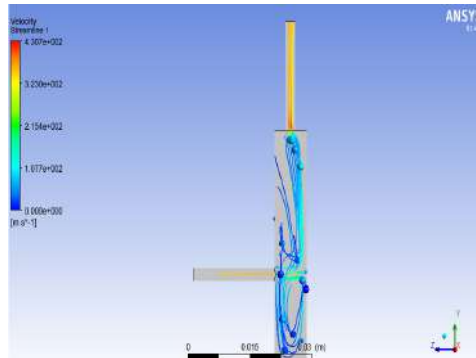


Fig. 7. Velocity contour for old design.

velocity is at outlet, which is approximately around 420 m/s which is very high.

Fig.8 shows that at outlet where the cross section is suddenly reduced is having maximum turbulence Kinetic energy.

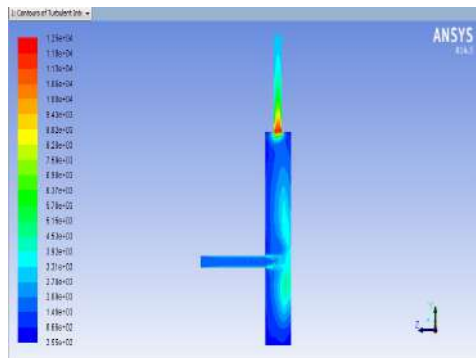


Fig. 8. Turbulence Kinetic energy.

But the flow should be less turbulent to carry the volatiles out of the chamber. Hence it is very necessary to streamline the flow once volatiles are extracted.

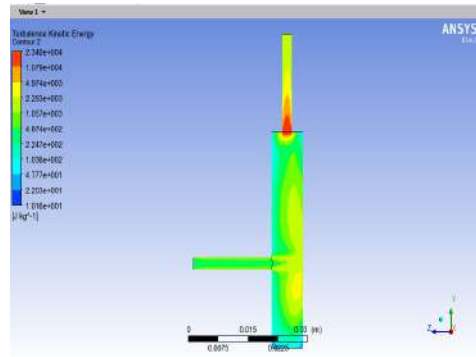


Fig. 9. Turbulence Intensity energy.

Fig.9 shows that the range of turbulence intensity in the unit after nitrogen gas enters is around $2.55e^2$ to $1.25e^4$. This contour also shows that the region where cross section area is reduced suddenly, TI value is highest around $2.55e^2$.

3.2. Practical Data For Old Desorpter

Pressure at outlet: Near to Atmospheric Pressure (101325 pa)

Time taken by heaters to heat the desorpter : 20 minutes

It is observed that the experimental values and Simulation values are matching. Hence we can say that the CFD simulation is Valid.

3.3. New Desorpter Design

We modified the design of component. In new design, the direction of flow is at an angle so that turbulence wont create backflow. Because backflow will restrict the movement of volatiles and nitrogen from inlet. There is space for sample, so that it should not be displaced due to impact of nitrogen gas. Also the outlet tube is tapered fir internal hole, to avoid backflow loop at outlet of chamber as shown in fig.10.

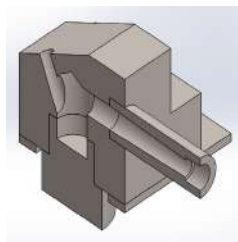


Fig. 10. CAD model of Modified Design of Desorpter.

3.4. Heaters Selection

To improve the heat generation rate and minimise the heating time we used following equation for raising the temperature of unit up to temperature of $250^{\circ}C$ in 10 minutes, the wattage of heater is given by:

$$KW = \frac{Wt.C_p.\Delta T}{3412.H} \quad (1)$$

Wt = weight of material to be heated
 Cp = Specific Heat of Stainless steel
 T = Temperature rise.
 H= Heating time in Hours.
 It is decided to use two heaters of 150 watts power.

3.5. Simulation of New Desorpter Design with CFD

Boundary condition:
 Inlet Pressure : 2 Bar
 Internal Temperature: 623 k
 Turbulence Equation: K-epsilon model.

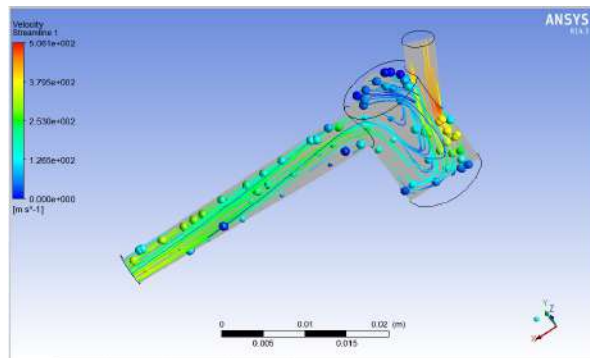


Fig. 11. Velocity Streamline for modified design.

The fig.11 shows the path of nitrogen gas travels from inlet to outlet. It is reduction from 506 to 379 m/s approximately.

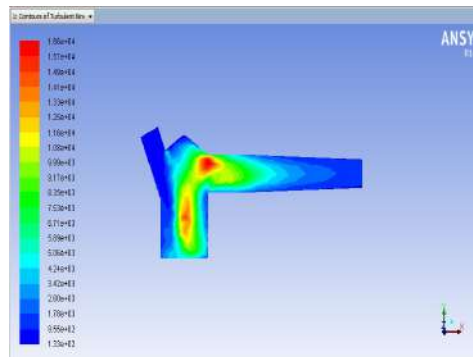


Fig. 12. Turbulent Kinetic Energy Contour.

In fig.12, The range of TKE is from 49.3 to 16500 m^2/s^2 . It is maximum where the stream of nitrogen gas is coming from inlet of diameter 4mm and entering in suddenly enlarged region of diameter 15mm. This is where we need maximum turbulence to occur. As soon as it strikes on sample with full kinetic energy, the path of gas molecules is disturbed. As compared to old design the TKE at outlet is decreased due gradual decreasing cross section area towards outlet.

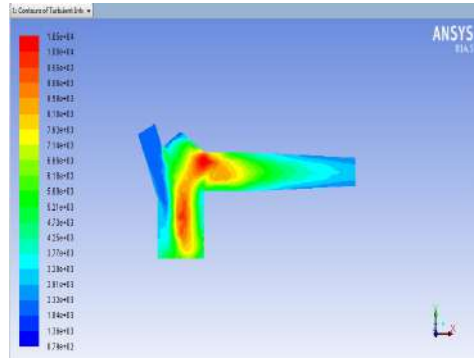


Fig. 13. Turbulence Intensity.

The goal of this design was to allow turbulence at sample space and avoid it at outlet zone. Fig.13 shows that new design will satisfy this requirement of the process. As it show that turbulence intensity at sample space around $10500 \text{ m}^2/\text{s}^3$ and at the outlet it is very less.

3.6. Turbulence model

The $k-\varepsilon$ model has become very popular due to the important role played by k in the interpretation of turbulence in addition to the fact that ε appears directly in the transport equation for k . This turbulence model provides a good compromise between generality and economy for many CFD problems. The exact transport equation for the turbulent kinetic energy, k , can be deduced from the equation for the kinetic energy by Reynolds decomposition and reads.

$$\frac{\partial k}{\partial t} + U_j * \frac{\partial k}{\partial x_j} = -(U_i U_j) \frac{\partial U_i}{\partial x_j} - V \left(\frac{\partial U_i}{\partial x_i} * \frac{\partial U_i}{\partial x_i} \right) + \frac{\partial}{\partial x_i} \left(V \frac{\partial k}{\partial x_i} - \frac{\langle U_i U_{ii} U_j \rangle}{2} - \frac{\langle U_j p \rangle}{\rho} \right) \quad (2)$$

The exact ε equation can be written as:

$$\frac{\partial \varepsilon}{\partial t} + U_j * \frac{\partial \varepsilon}{\partial x_j} = C_{\varepsilon 1} V_T \frac{\varepsilon}{k} \left[\left(\frac{\partial U_i}{\partial x_j} + \frac{\partial U_j}{\partial x_i} \right) \frac{\partial U_i}{\partial x_j} \right] - C_{\varepsilon 2} \frac{\varepsilon^2}{k} + \frac{\partial}{\partial x_j} \left[\left(V + \frac{V_T}{\sigma_\varepsilon} \right) \frac{\partial \varepsilon}{\partial x_j} \right] \quad (3)$$

Where,

k -Kinetic Energy

U_i - Velocity in X-direction

U_j -Velocity in Y-direction

ν - Kinematic Viscosity

ρ -Density

C -Constant

ν_T -local turbulent viscosity

σ_ε - Prandtl-Schmidt number

This model is suited for flows in which the turbulence is nearly isotropic and flows in which the energy cascade proceeds in local equilibrium with respect to generation. Furthermore, the model parameters in the $k-\varepsilon$ model are a compromise to give the best performance for a wide range of different flows. The accuracy of the model can therefore be improved by adjusting the parameters for particular experiments. As the strengths and weaknesses of the standard $k-\varepsilon$ model have become known, improvements have been made to the model to improve its performance.

3.7. Condenser Design:

The function of condenser is to concentrate the volatiles by first cooling them up to -30°C and trapping it with in absorber. Absorber is a porous material which only allows nitrogen gas to pass through and will trap volatile. Again to release the volatiles absorber is flash heated up to 250°C . Then it delivers the volatile in GC machine. Fig. 14 shows the sectional 3D view of previous condenser and porous absorbent material.

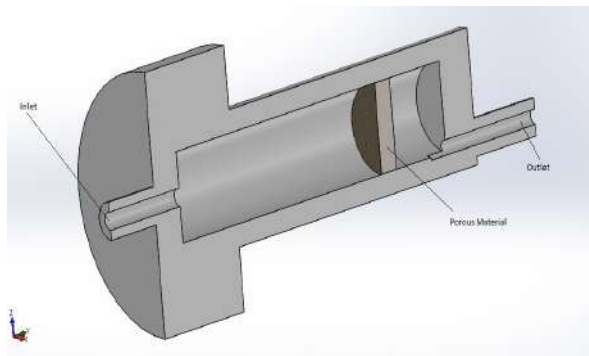


Fig. 14. 3D Model of Condenser.

Specifications of Old Condenser: Inlet Diameter = 4mm
 Outlet Diameter = 4mm
 Internal Space Diameter = 12mm
 Total Length = 85mm
 Porous disc Size = ϕ 12 x 3 mm
 Porous disc Material = Bentonite
 Component Material = SS316 (Food Grade)
 Mass = 180 gms.

3.8. Heating and Cooling Set-up

Dry ice-acetone system which is a cooling bath is a liquid mixture used to maintain low temperatures, typically between 13 to -78°C was used to cool the condenser. It uses mixture of 3 components. Components are cooling agent (dry ice), a liquid carrier (Acetone) and an additive to depress the melting point of system.

Cooling process, the volatiles are trapped in the porous disc. So to release them and transport them to GC machine, the temperature of fluid domain need to be raised to 250°C within 2 minutes. So to flash heat the condenser, special coil heaters are made, which fits on the condensers outer surface.

3.9. Condenser System Design

For cooling purpose it is decided to use Peltier chip for ease of manufacturing and operation. Fig.15 represents 3D model of new condenser designed to accommodate the cartridge heaters and peltier chips. Fig.16 shows typical 3D model of peltier chips and carrier arrangement. Peltier chip works on reverse principle of peltier effect. In order to cool the condenser up to -30°C , we need to know how much heat is to be extracted from condenser when it is in room temperature. So the heat to be extracted from condenser:

$$Q = m.C_p.\Delta T = 19,960J \quad (4)$$

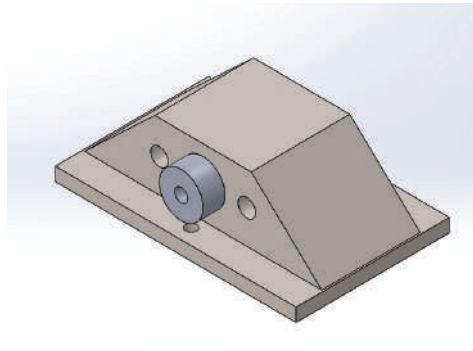


Fig. 15. 3D Model of New Condenser.

Total heat to be extracted from condenser is 166.33 watts. But a single peltier chip would be insufficient. hence It is decided to use 3 peltier chip. According to available peltier chip in the market, the following specifications are best suited for the purpose:

Model - TEC01-12704

Size - 40X40X4.7 mm

Imax - 4 Amp.

Voltage - 15 V

Qmax -37.7 watts.

ΔT - 67 k

Peltier chips will get damaged when exposed to temperature exceeding 100°C . Hence to prevent chips from getting damaged, it needs carrier of thermally conductive material. When carrier is in contact with condenser surface, it will transfer heat from condenser to chip and when condenser is flash heated it will break the contact with condenser by means of mechanical linkages.

So to move peltier along with carrier, we have used linear motor. This linear when energized, moves its shaft in linear vertically upward direction. The figure below shows typical arrangement of Condenser, Linear motor, Brackets, Peltier chip, Carrier, Heat sink in set up.

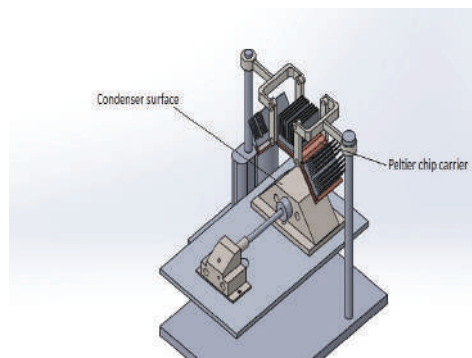


Fig. 16. Peltier chip in Disengaged position.

3.10. Heat Sink Selection

Application of Heat sink in this is the same, i.e. Dissipation of heat. the heat which generated on top side of peltier chip can dissipated by using Heat Sink and Blowing fans.

To select the heat sink, we need to determine the Junction to ambient thermal Resistance. Thermal resistance for junction to ambient:

$$R_{j-a} = \frac{T_j - T_a}{Q} \quad (5)$$

R_{j-a} = Resistance junction to ambient = 1.31 $^{\circ}\text{C}/\text{W}$

T_j = Junction Temperature = 67 $^{\circ}\text{C}$

T_a = Ambient temperature = 20 $^{\circ}\text{C}$

Q = Total heat developed = 36 watts

3.11. Thermal Analysis of Heat Sink

Heat generated by Peltier chip

$$Q = m.C_p(t_2 - t_1) = 925J \quad (6)$$

Where, m- Mass of device

cp - Specific heat of Silicon

t_2 - Hot side temperature of peltier chip

t_1 - Room Temperature Heat Dissipated by fins:

$$Q_{fin} = KA_c m(t_2 - t_1) \left[\frac{h \cosh mL + mk \sinh mL}{mk \cosh mL + h \sinh mL} \right] = 307.05 \text{Watts} \quad (7)$$

Where,

k = Thermal conductivity of Aluminium.

A_c = Surface area.

h = Heat transfer coefficient.

L = Length of Fins.

3.12. Convective heat transfer coefficient

$$G_r = \frac{gL^3\beta t_2 - t_1}{\nu^2} = 13.74E6 \quad (8)$$

Where,

g = Acceleration of gravity

β = Air thermal expansion coefficient = $\frac{1}{t_1}$

ν = Kinematic Viscosity

Prandtl number:

$$P_r = \frac{\mu C_p}{k} = 0.83 \quad (9)$$

Where,

μ = Dynamic Viscosity of air

c_p = Air Specific heat

k = Thermal Conductivity of air

Rayleigh number:

$$R_a = G_r P_r = 11.40E6 \quad (10)$$

Where,

G_r = Grashof number

P_r = Prandtl number

Nusselt number:

$$N_u = 0.27R_a^{0.25} = 15.68 \quad (11)$$

Convective heat transfer Coefficient:

$$h_c = \frac{N_u k}{L} = 8.6 \text{ Watt} \quad (12)$$

3.13. Heating of Condenser

After cooling process, the volatiles are trapped in the absorber porous material. Further these volatiles need to be released from the porous zone. In order to release them, we need to heat the condenser up to temperature 250°C in 3 minutes.

Wattage calculation for Cartridge heaters:

$$W = \frac{W_t C_p \Delta T}{3412H} = 471.86 \text{ Watt} \approx 500 \text{ Watt}. \quad (13)$$

Wt = weight of material to be heated = 0.7 kg
 C_p = Specific Heat of Stainless steel = $500 \text{ J/kg}^\circ\text{K}$
 ΔT = Temperature rise = 230°C
 H = Heating time in Hours = 0.05

3.14. Selection of Absorbent Material

After heating the condenser, flow of nitrogen gas at atmospheric pressure is passed through cold trap. This flow drives the released volatiles out of the condenser and moves them towards GC.

The absorbent material selected is bentonite.

Specifications of bentonite:

Particle size - mesh 2-3 mm.

Surface Area - $\frac{61\text{m}^2}{\text{g}}$

Temperature range - good stability over 350°C

Pore size - 59.31 Å.

3.15. Mechanism to move the Peltier chip unit.

It is necessary to keep the peltier set up away from the condenser, when it is heated. So we decided to use the linear motor for the purpose. The total load to be lifted is approximately 0.7 kg.

Specification of Linear Motor:

Brand - Progressive Automations

Model - PA-14 Linear Actuator

Voltage - 12V

Current - 5A

Load Capacity - 35 lbs

Stroke Length - 3 Inches

In fig.17, the Linear Motor is kept on one side of the condenser. Carrier and shaft of Linear motor connected by a bracket; so that when shaft moves upside, simultaneously the carrier will move in same direction disengage the cooling process. If cooling process need to engage again, then shaft movement will be downward.

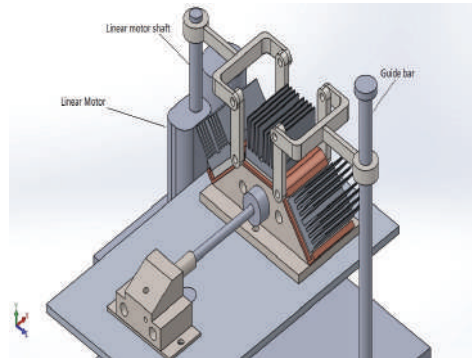


Fig. 17. Peltier set up moving Mechanism.

3.16. Heat transfer Analysis for Condenser

To determine the heat distribution analytically, we had transient thermal transient analysis for new condenser model. Fig.18 shows the arrangements of cartridge heaters placed in the bores. Following boundary condition were

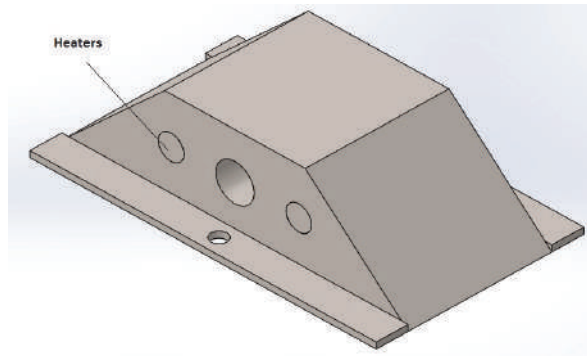


Fig. 18. Condenser model with 2 Heaters.

applied:

Initial Temperature - $20^{\circ}C$

Maximum Temperature - $250^{\circ}C$

Heat Transferred from heaters to Condenser:

$$Q = mC_p(t_2 - t_1) = 80.5KW \quad (14)$$

Where,

m = Mass of Condenser Body

c_p = Specific heat of stainless steel

Time of heating = 300 seconds

3.17. Result:

Fig.19 shows the relation between time and temperature rise. So the graph shows that after 100 seconds the temperature of condenser reaches near $250^{\circ}C$.

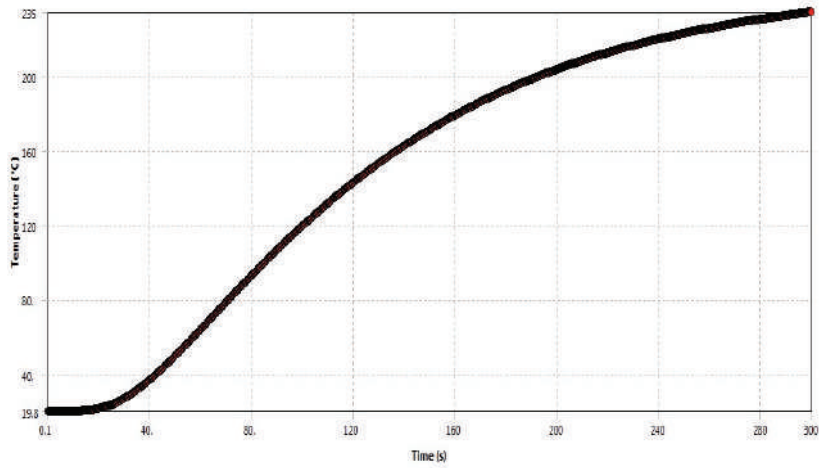


Fig. 19. Graph of Temperature Vs. Time for Condenser.

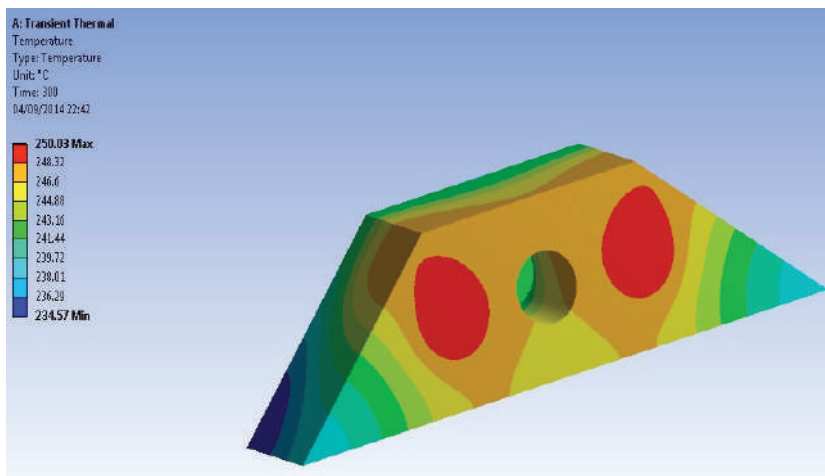


Fig. 20. Temperature contour for condenser.

Fig.20 shows temperature contour for condenser. The temperature 300°C is given to the heaters and analysis shows that the complete unit will heat up near 299°C in 5 minutes. The radiation, conduction, convection losses are not considered as unit size is small.

4. Conclusion

In a desorptor, the volatiles are desorbed by thermo-kinetic principle. The pattern of the turbulence generated in this is investigated using CFD tools.

After analysing data simulated from desorptor, it is observed that the turbulence in the sample chamber is function of Geometry of chamber and outlet of desorptor.

In desorptor design, after modelling geometry it is found that using $k-\varepsilon$ two equations turbulence model is sufficient to predict the flow and turbulent intensity in chamber. The previous desorptor unit is also analysed using same equations, after which the output data from practical experimentation and CFD simulation are matched. Using CFD tool number of experiment conducted to select best geometry. One of the important selection parameter is turbulence intensity in sample chamber and pressure magnitude at output, which should be near to atmospheric pressure.

In the new condenser set up, the geometry needs to be change to accommodate the peltier chips set up for cooling it below $0^{\circ}C$. Also the cartridge heaters as heating element are used instead of coil heaters. While designing the system, precautions are taken to avoid the exposure of peltier chip to temperature exceeding $100^{\circ}C$. Because peltier chips are delicate instrument which may damage by temperature above $100^{\circ}C$. Condenser function is to cool internal mixture then flash heating it upto $250^{\circ}C$. So while heating the condenser at such higher temperature, we need to move the peltier set up away from condenser. For this purpose, Linear motor mechanism is used. This mechanism is used as it is compact and easily controlled by embedded controllers.

In the future scope, the volatile separating mechanism can be further developed by improving some factors like heating sources and more efficient peltier chips.

Heating sources like Induction, magnetic, microwave and laser heating may have different results, depending on nature sample to be used in order desorb out more molecules.

Also using more efficient peltier chip will avoid the need of moving mechanism. This will benefit in terms of size and weight of the overall system.

In existing design, for heating purpose cartridge heaters are used. This heating process can be replaced by other heating processes Induction, Magnetic, laser in order to desorb out more molecules from sample matrix.

Using more efficient and high temperature resistant peltier will avoid use of Moving mechanism, so that system size and costing can be further reduced, which will allow system to be very compact and light weight.

References

1. Dragica Jost et al., "Improvement of Efficiency Prediction for a Kaplan Turbine with Advanced Turbulence Models ", Journal of Mechanical Engineering, slovenia, vol. 60, pp.124-134, 2014.
2. G. T. Chapman and M. Tobak, "Observations, Theoretical Ideas, and Modeling of Turbulent Flows Past, Present and Future, in Theoretical Approaches to Turbulence, Dwoyer et al. (eds), Springer-Verlag ", New York, 1985, pp. 1949.
3. D.Roncati, "Iterative calculation of the heat transfer coefficient ", Progettazione Ottica Roncati, Italy, 2013.
4. B.S.Ajit Kumar, Ajit Datar, "Designing and Construction of a Volatile Separating and Sampling Device Based on Thermo Kinetic Principles"Gurunanak Khalsa college, Mumbai, 2013.
5. Daniel D. Pollock, "Thermoelectricity Theory: Thermometry, Tool, issue 852 ", ASTM International, Conshohocken,U.S., 1985, pp.112.
6. Jiyuan Tu et al. "Computational Fluid Dynamics"Heinemann publications, Oxford, 2013, pp.61-117.
7. Landau, L.D. and Lifshitz, E. M., 1959, Fluid Mechanics, Pergamon Press, Oxford.
8. Bengt Andersson et al. "Computational fluid dynamics ", Cambridge University Press, Cambridge, 2012, pp.62- 99.
9. Dr. R.Yadav, "Heat and Mass Transfer ", Central Publishing House, Allahabad, 2007, pp 177-224.
10. J.M. McDonough, "Introductory Lectures on Turbulence physics, mathematics and modelling ", University of Kentucky, U.S., 2007, pp.6-10.
11. <http://www.gerstel.com/en/thermal-desorption-system-tds.htm>
12. <http://www.markes.com/Instrumentation>

PRODUCTION AND OPERATIONS MANAGEMENT SOCIETY

POMS 26th Annual Conference



Washington D.C., U.S.A. • May 8-May 11, 2015

POMS 26th Annual Conference

**RELEVANCE: Expanding POM research, teaching,
and practice to help organizations, society,
economics, and the environment**

CONFERENCE PROGRAM BOOK

Sponsored By:



Editor: Sriram Narayanan

Assistant Editor: Rishabh Bhageria

ISBN-10: 0-692-40828-2

ISBN-13: 978-0-692-40828-5